



TECHNICAL CHARACTERISTICS

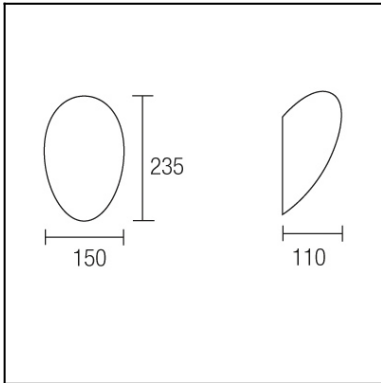
Type:	Wall fixture
IP Protection degrees:	IP20
Light source 1:	1 x E27 MAX 60W Maximum lamp length: 130.00 mm Maximum lamp diameter: 70.00 mm
Total power consumption (W):	60
Voltage / Frequency:	220-240V/50-60Hz
Warranty (Years):	2
Units per box:	6
Net Weight (Kg):	0.535
EAN:	8435111045862

The photograph may not match the reference exactly. Please read the product description to identify the finish.

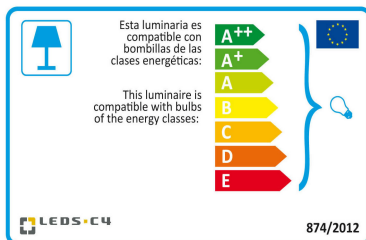


MATERIALS / FINISHES

Structure material:	Steel	Diffuser material:	Glass
Structure finish:	White	Diffuser finish:	Opal



Download photometric file .ldt / .ies

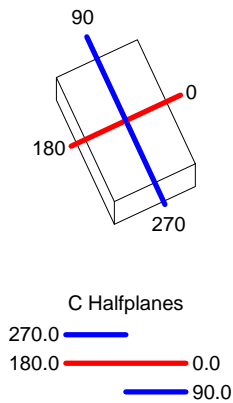


Click on image to download energy label

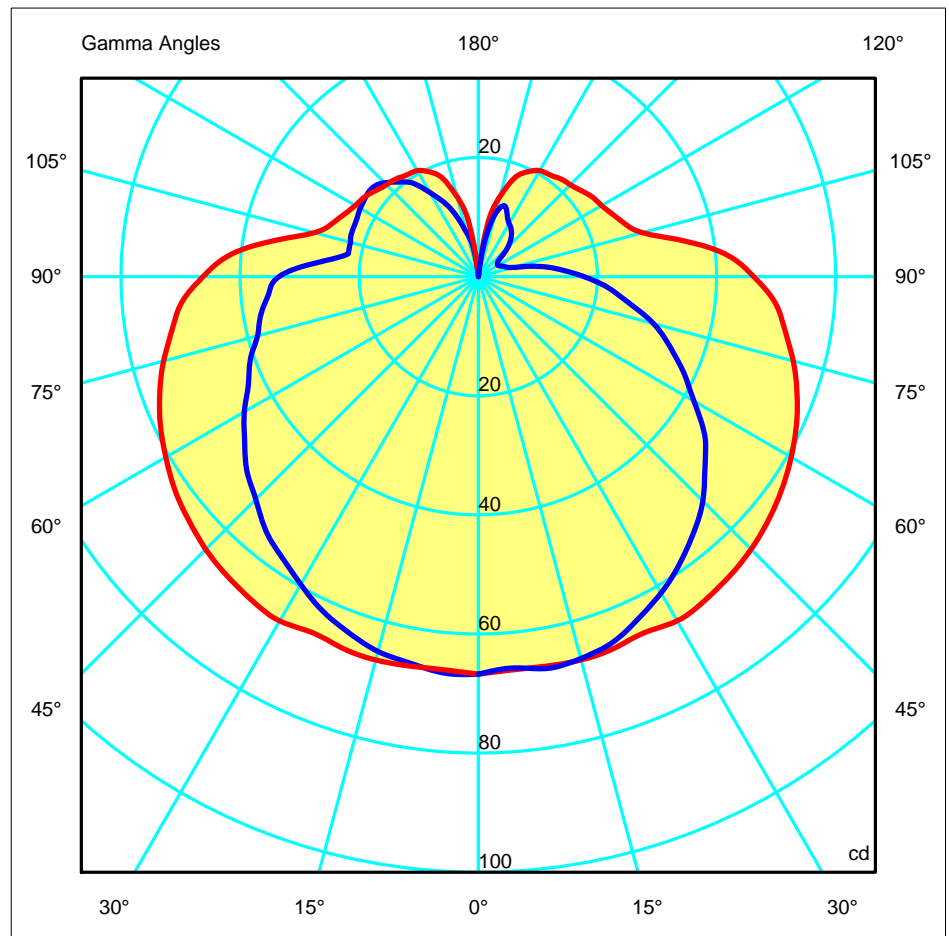
Luminaire		Measur.		Lamp		
Code	444-BL	Code	444-BL	Code	STANDAR GOC 60W O	
Name	Aplique 60W incand. E27 opal	Name	Aplique 60W incand. E27 opal	Number	1	
Line	Eulumdat	Date	08-03-2010	Position		
Efficiency	65.84%	Coordinate system	CG	Total Flux	710.00 lm	
Maximum value	67.56 cd	Position	C=15.00 G=15.00	Sym. on planes	270-90	
Rectangular Luminaire	Length	230 mm	Width	150 mm	Height	100 mm
Rectangular Luminous Area	Length	230 mm	Width	150 mm	Height	100 mm
Horizontal Luminous Area	0.034500 m2	Emitting area on Plane 180°		0.023000 m2		
Emitting area on Plane 0°	0.023000 m2	Emitting area on Plane 270°		0.015000 m2		
Emitting area on Plane 90°	0.015000 m2	Glare area at 76°		0.030663 m2		
Symmetry Type	Sym. on planes 270-90	Maximum Gamma Angle		180		
Measurement Distance	0.00	Measurement Flux		710.00 lm		
Operator	Asselum	Source voltage				
Temperature	25.00 °C	Source current				
Humidity	60.00 %	Photocell				
Notes						

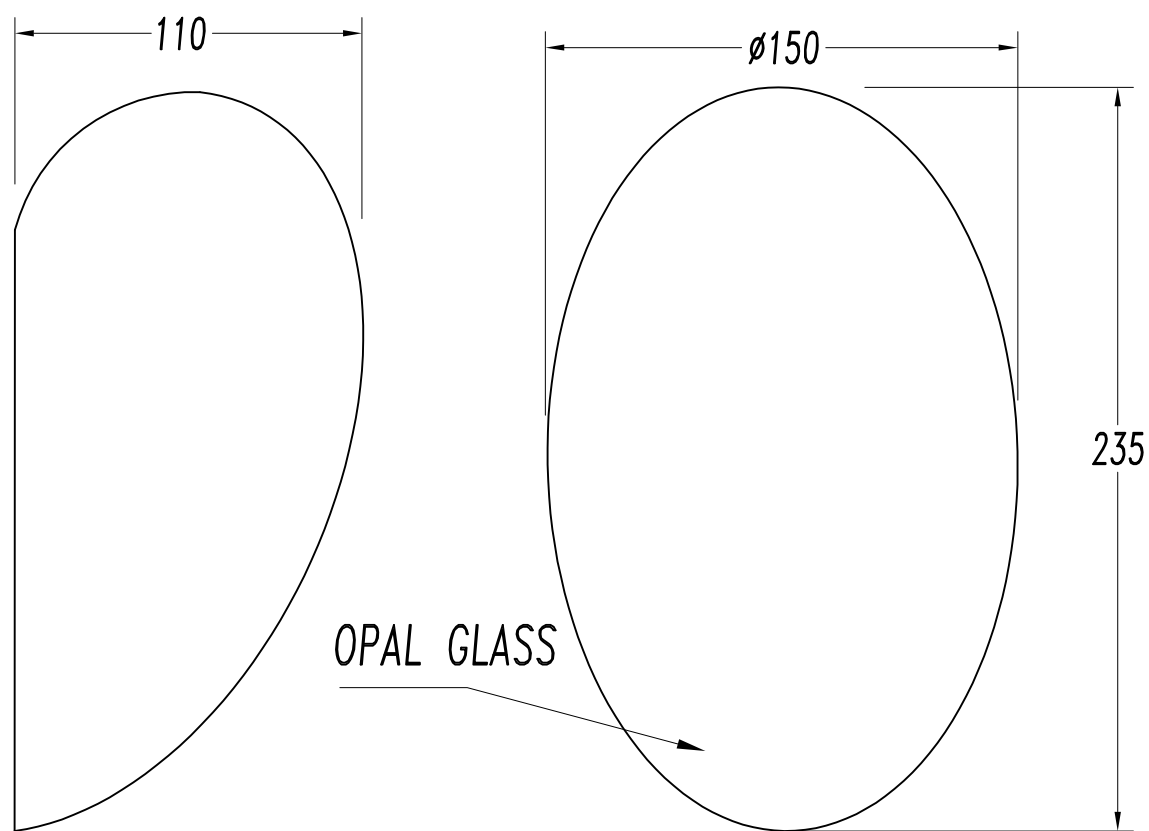
Luminaire Lamps						
Line	Code	Name	Flux [lm]	Pow. [W]	Q.ty	
Eulumdat	STANDAR GOC 60W O	STANDAR GOC 60W O - 60.00 W	710.00	60.00	1	
C.I.E.	31 58 81 70 66	D DIN 5040				
F UTE	0.46 H + 0.20 T	B NBN				
		B21				
		BZ 7				

230mm x 150mm

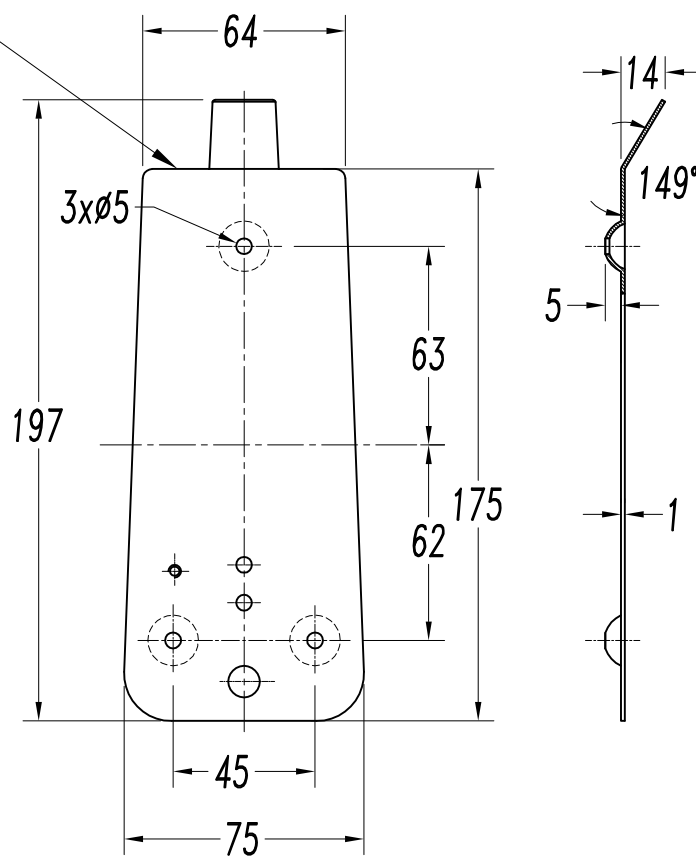


ULOR 19.56 %
 DLOR 46.28 %
 RN 29.70 %

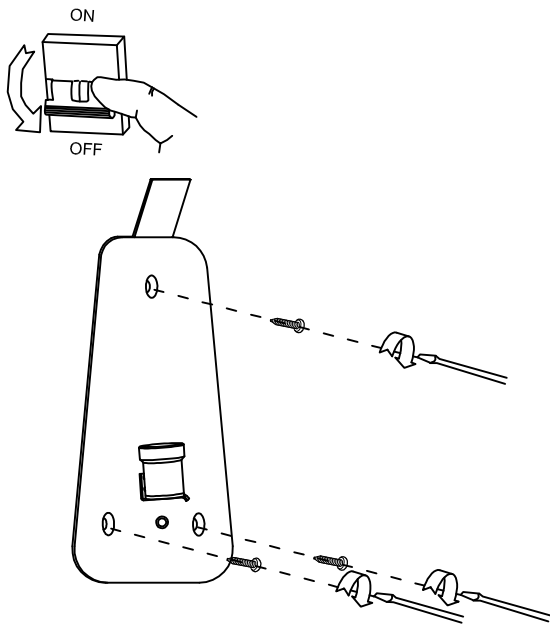




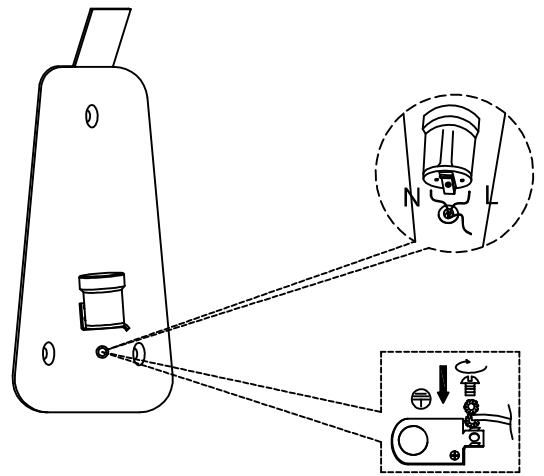
IRON / WHITE



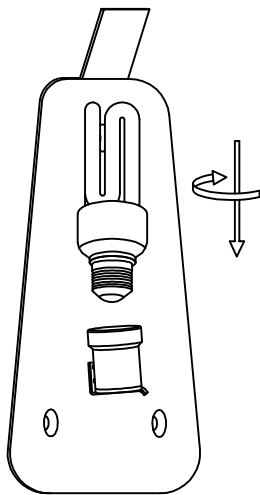
1



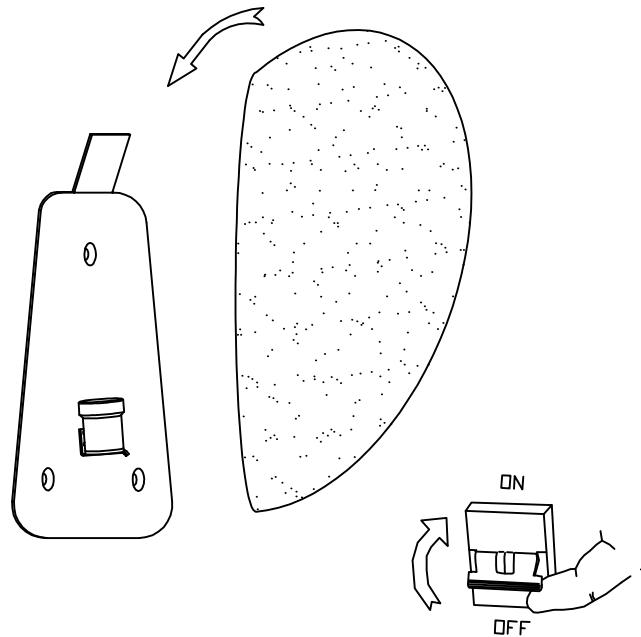
2



3



4



5

