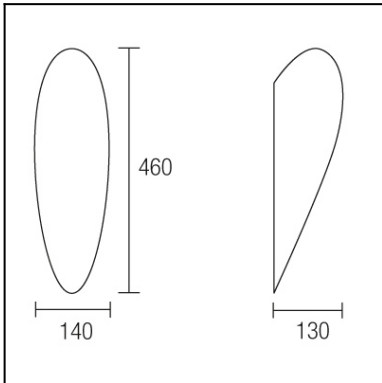




TECHNICAL CHARACTERISTICS

Type:	Wall fixture
IP Protection degrees:	IP20
Light source 1:	1 x E27 MAX 100W Maximum lamp length: 220.00 mm Maximum lamp diameter: 70.00 mm
Total power consumption (W):	100
Voltage / Frequency:	220-240V/50-60Hz
Warranty (Years):	2
Units per box:	6
Net Weight (Kg):	1.035
EAN:	8435111045879

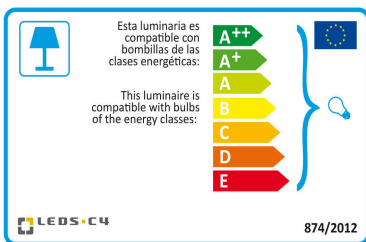
The photograph may not match the reference exactly. Please read the product description to identify the finish.



MATERIALS / FINISHES

Structure material:	Steel	Diffuser material:	Glass
Structure finish:	White	Diffuser finish:	Opal

[Download photometric file .ldt / .ies](#)

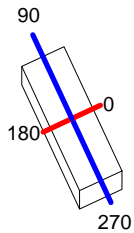


[Click on image to download energy label](#)

Luminaire		Measur.		Lamp		
Code	445-BL	Code	445-BL	Code	STANDARD GOC 100W	
Name	Aplique 100W incand. E27 opal	Name	Aplique 100W incand. E27 opal	Number	1	
Line	Eulumdat	Date	08-03-2010	Position		
Efficiency	56.88%	Coordinate system	CG	Total Flux	930.00 lm	
Maximum value	71.46 cd	Position	C=15.00 G=35.00	Sym. on planes	270-90	
Rectangular Luminaire	Length	440 mm	Width	150 mm	Height	130 mm
Rectangular Luminous Area	Length	440 mm	Width	150 mm	Height	130 mm
Horizontal Luminous Area	0.066000 m2	Emitting area on Plane 180°	0.057200 m2			
Emitting area on Plane 0°	0.057200 m2	Emitting area on Plane 270°	0.019500 m2			
Emitting area on Plane 90°	0.019500 m2	Glare area at 76°	0.071468 m2			
Symmetry Type	Sym. on planes 270-90	Maximum Gamma Angle	180			
Measurement Distance	0.00	Measurement Flux	930.00 lm			
Operator	Asselum	Source voltage				
Temperature	25.00 °C	Source current				
Humidity	60.00 %	Photocell				
Notes						

Luminaire Lamps					
Line	Code	Name	Flux [lm]	Pow. [W]	Q.ty
Eulumdat	STANDARD GOC 100W	STANDARD GOC 100W - 75.00 W	930.00	75.00	1
C.I.E.	30 56 79 66 57	D DIN 5040	B11		
F UTE	0.37 J + 0.19 T	B NBN	BZ 7		

440mm x 150mm



C Halfplanes

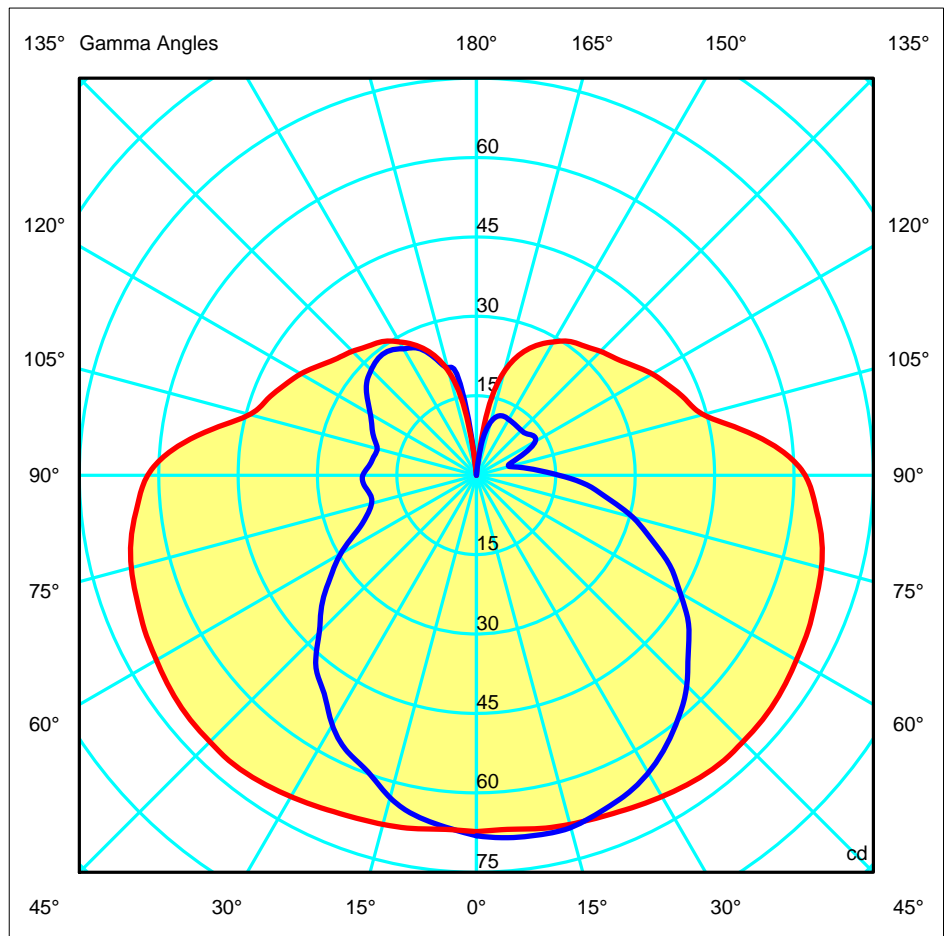
270.0 ——— 0.0

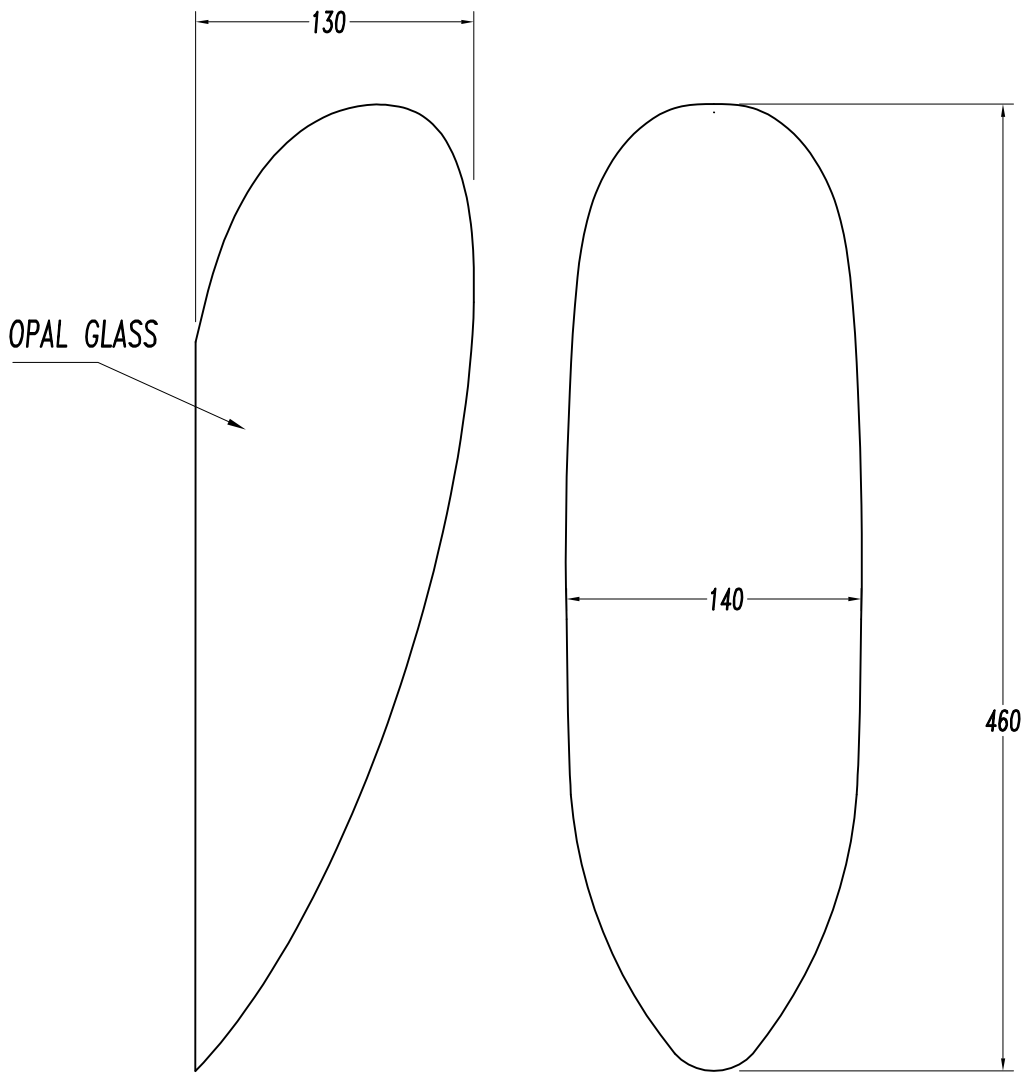
180.0 ——— 90.0

ULOR 19.47 %

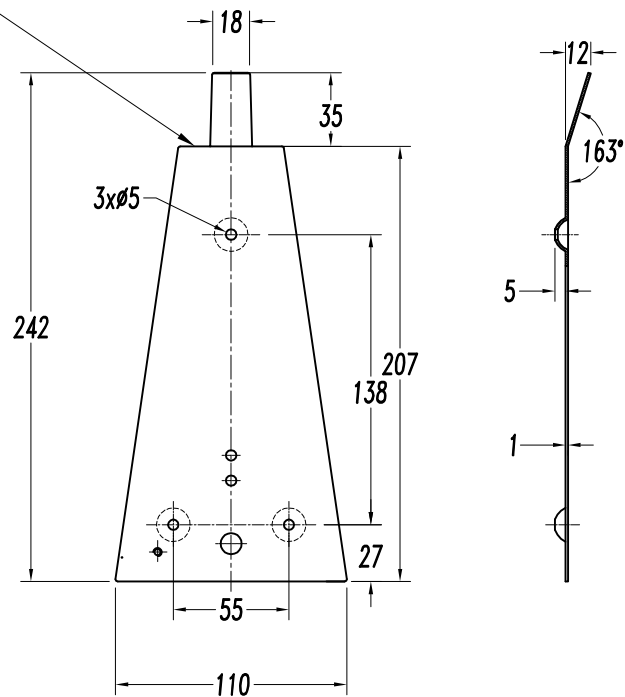
DLOR 37.41 %

RN 34.23 %

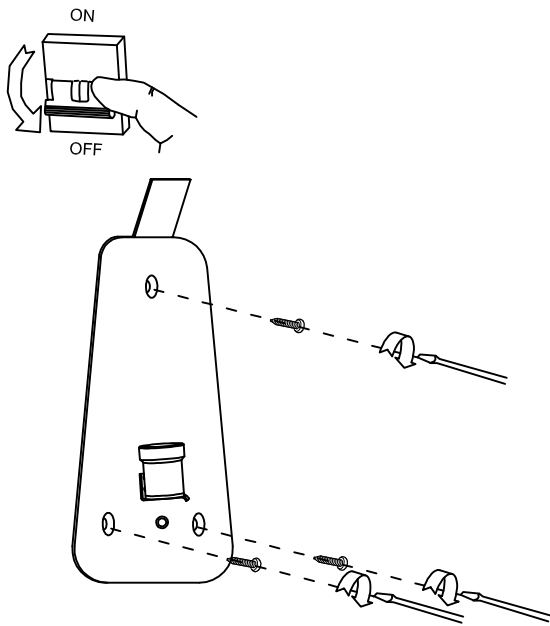




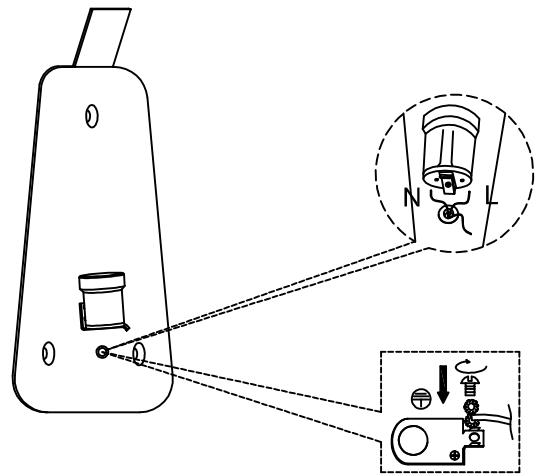
IRON / WHITE



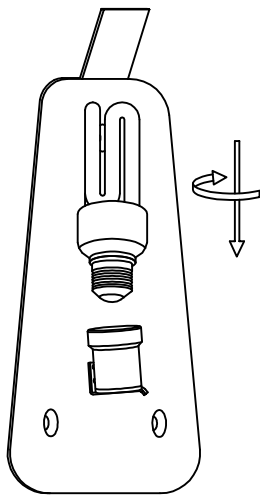
1



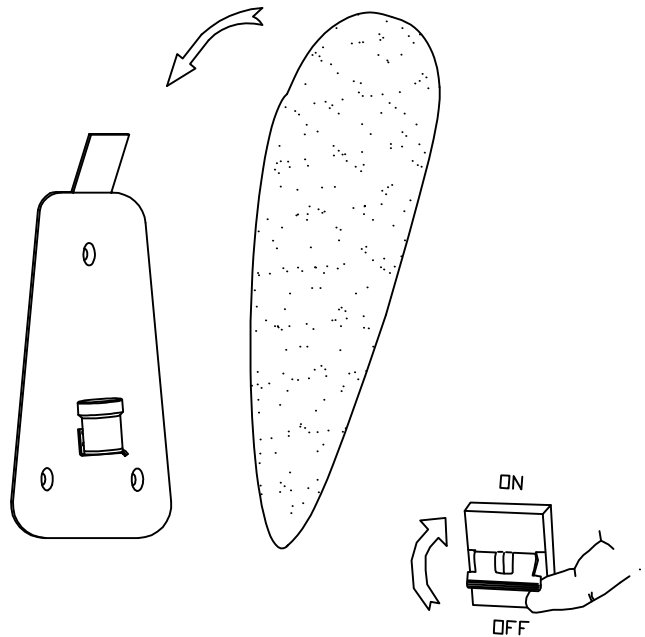
2



3



4



5

