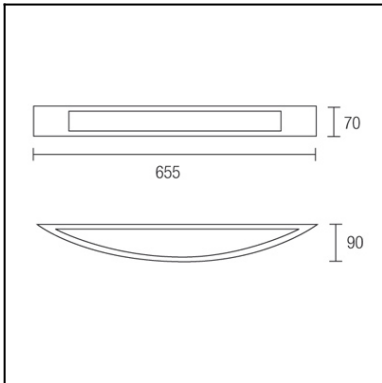




The photograph may not match the reference exactly. Please read the product description to identify the finish.



TECHNICAL CHARACTERISTICS

Type:	Wall fixture
IP Protection degrees:	IP44
Light source 1:	1 x 2G11 24W
Voltage / Frequency:	220-240V/50-60Hz
Warranty (Years):	2
Units per box:	6
Net Weight (Kg):	1.67
EAN:	8435111046180

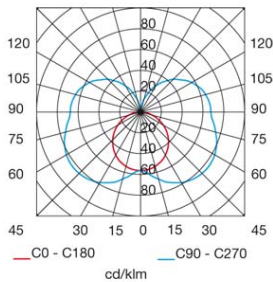


MATERIALS / FINISHES

Structure material:	Steel	Diffuser material:	Polycarbonate
Structure finish:	Chrome	Diffuser finish:	Matt opal

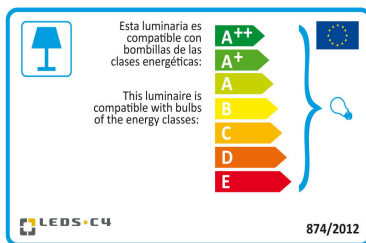
GEAR

Gear included: Yes, electronic



$$\eta = 30,16\%$$

Download photometric file .ldt / .ies

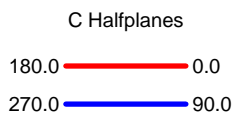
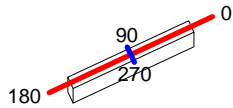


Click on image to download energy label

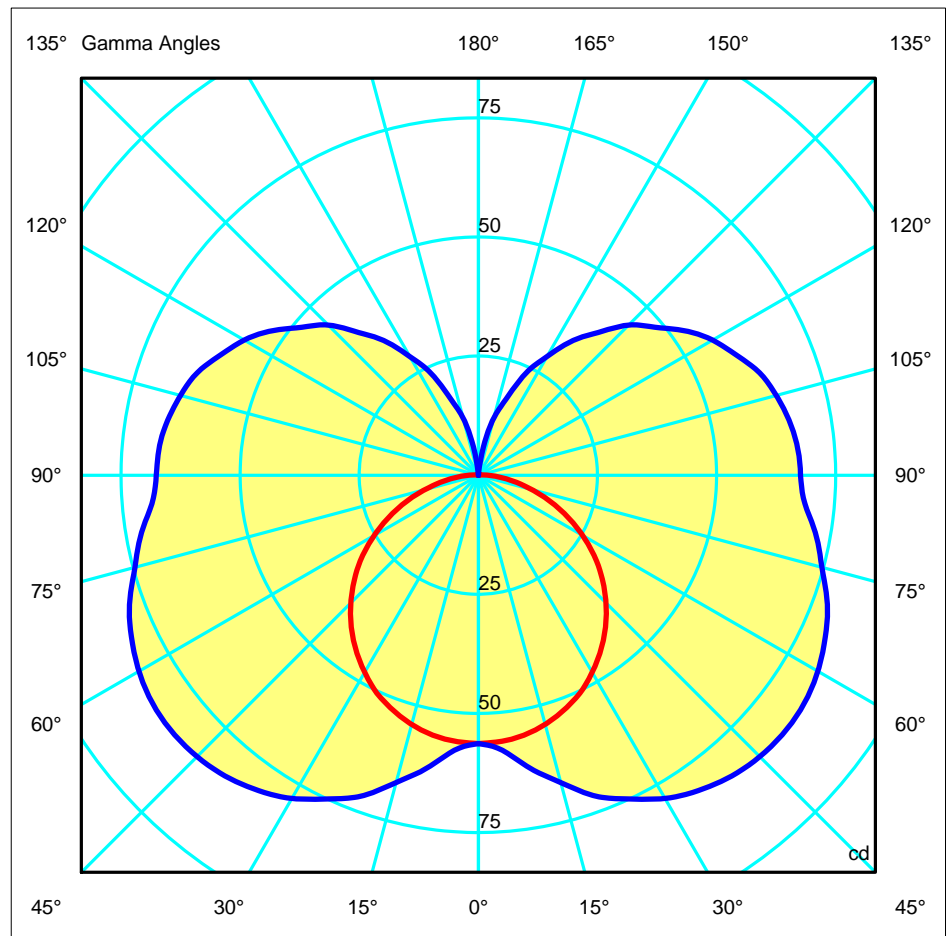
Luminaire		Measur.		Lamp		
Code	457-CR	Code	457-CR	Code	PL-L24W/840/4P	
Name	Aplique TOILET 24W 2G11 opal	Name	Aplique TOILET 24W 2G11 opal	Number	1	
Line	Eulumdat	Date	17-03-2010	Position		
Efficiency	30.16%	Coordinate system	CG	Total Flux	1800.00 lm	
Maximum value	83.86 cd	Position	C=90.00 G=50.00	Double Symmetrical		
Rectangular Luminaire	Length	60 mm	Width	640 mm	Height	90 mm
Rectangular Luminous Area	Length	60 mm	Width	640 mm	Height	90 mm
Horizontal Luminous Area	0.038400 m2	Emitting area on Plane 180°		0.005400 m2		
Emitting area on Plane 0°	0.005400 m2	Emitting area on Plane 270°		0.057600 m2		
Emitting area on Plane 90°	0.057600 m2	Glare area at 76°		0.014529 m2		
Symmetry Type	Double Symmetrical	Maximum Gamma Angle		180		
Measurement Distance	0.00	Measurement Flux		1800.00 lm		
Operator	Asselum	Source voltage				
Temperature	25.00 °C	Source current				
Humidity	60.00 %	Photocell				
Notes						

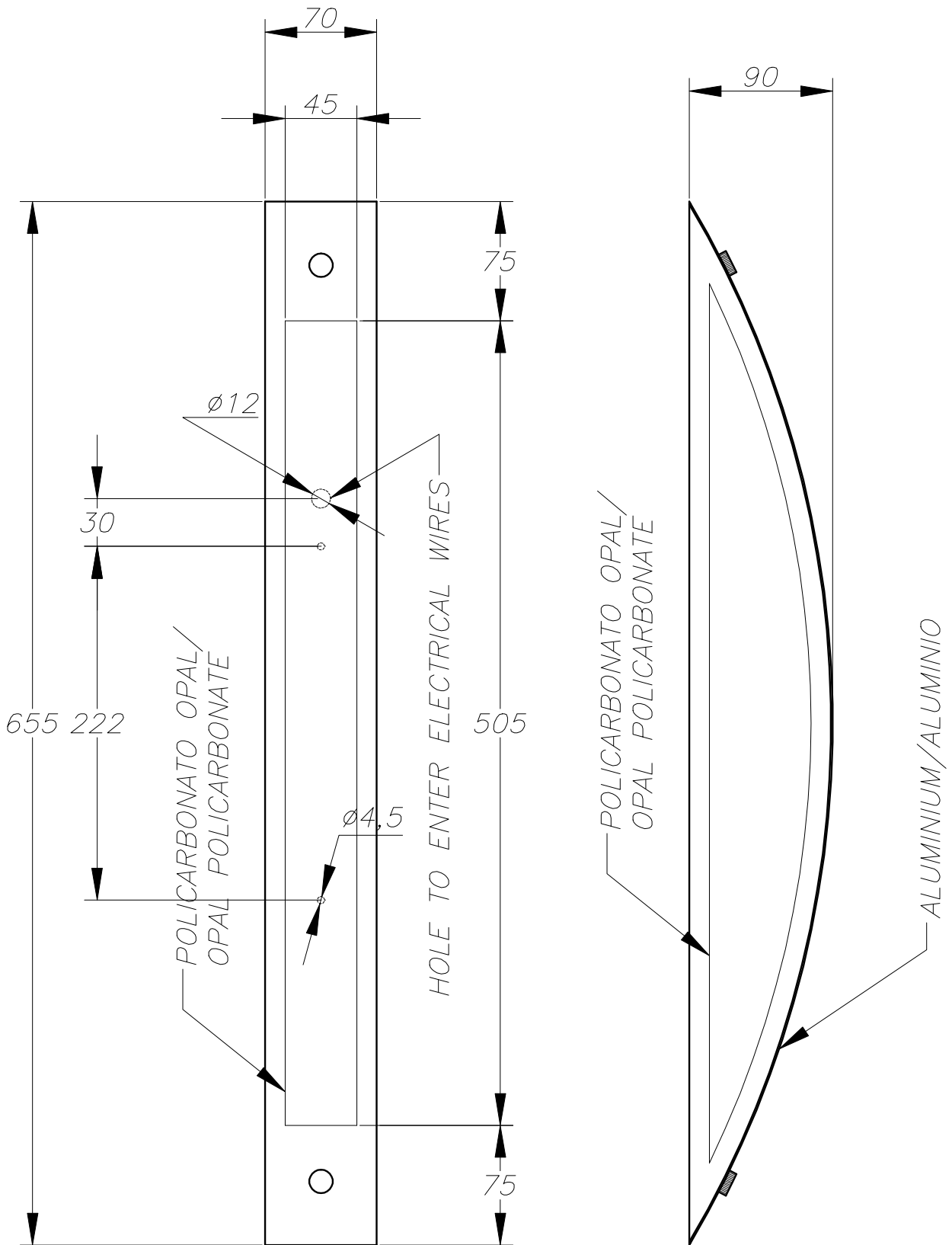
Luminaire Lamps					
Line	Code	Name	Flux [lm]	Pow. [W]	Q.ty
Eulumdat	PL-L24W/840/4P	PL-L24W/840/4P - 24.00 W	1800.00	24.00	1
C.I.E.	28 56 80 65 30	D DIN 5040		B11	
F UTE	0.20 J + 0.10 T	B NBN		BZ 7	

60mm x 640mm

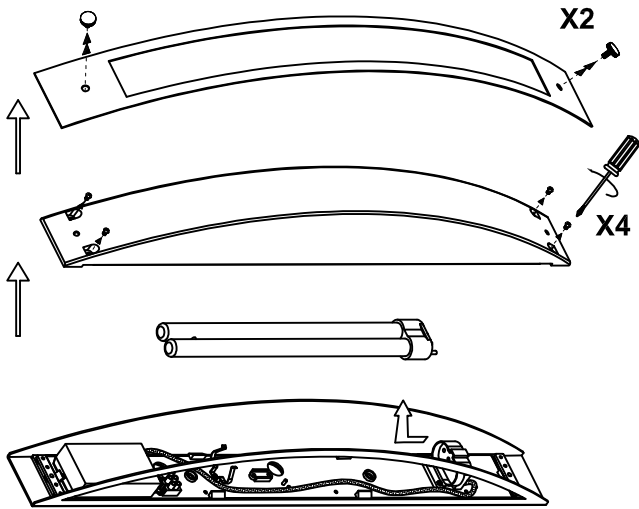


ULOR 10.47 %
 DLOR 19.68 %
 RN 34.72 %

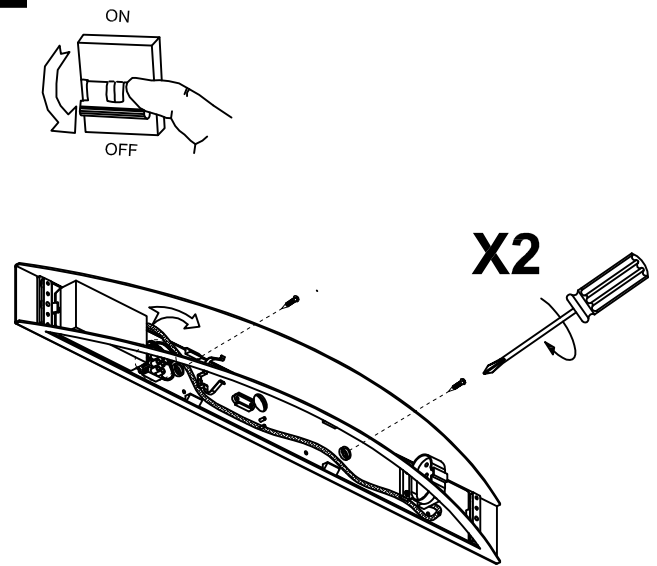




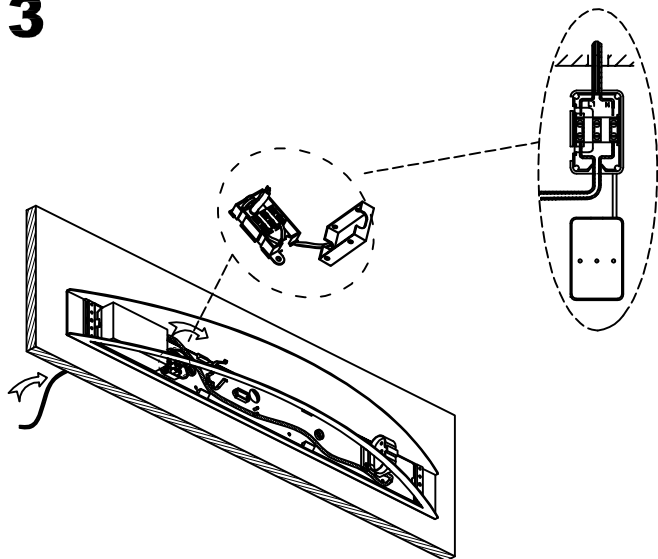
1



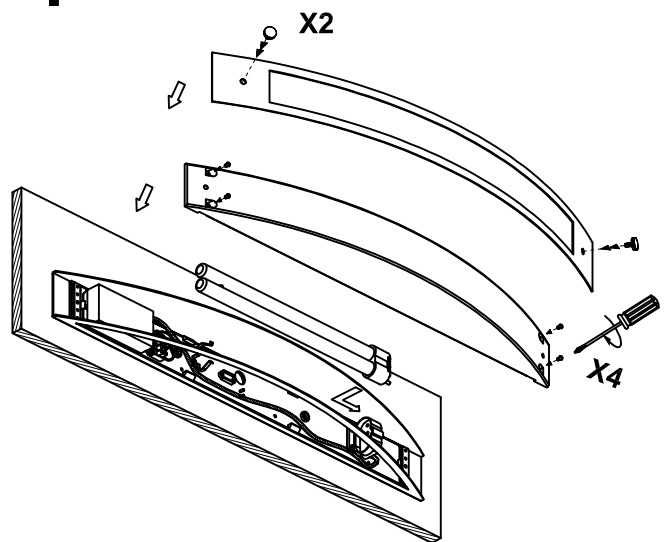
2



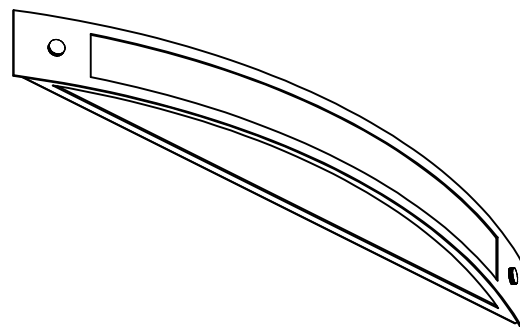
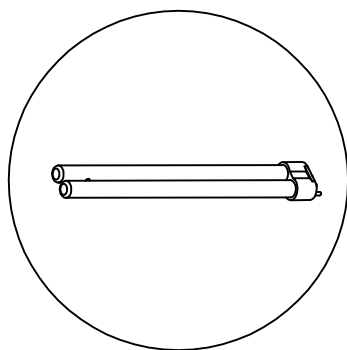
3



4



5



ERROR: syntaxerror
OFFENDING COMMAND: --nostringval--

STACK:

/Title
()
/Subject
(D:20100205081806+01'00')
/ModDate
()
/Keywords
(PDFCreator Version 0.9.5)
/Creator
(D:20100205081806+01'00')
/CreationDate
(mribera)
/Author
-mark-