



TECHNICAL CHARACTERISTICS

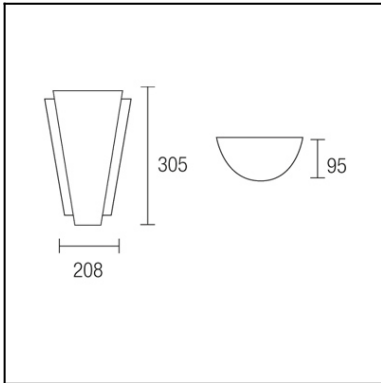
Type:	Wall fixture
IP Protection degrees:	IP20
Light source 1:	1 x E27 MAX 100W Maximum lamp length: 130.00 mm Maximum lamp diameter: 80.00 mm
Total power consumption (W):	100
Voltage / Frequency:	220-240V/50-60Hz
Warranty (Years):	2
Units per box:	6
Net Weight (Kg):	0.97
EAN:	8435111050330

The photograph may not match the reference exactly. Please read the product description to identify the finish.

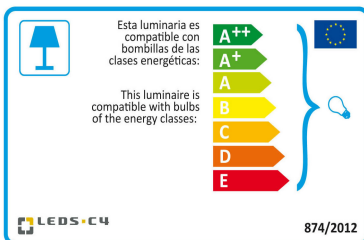


MATERIALS / FINISHES

Structure material:	Steel	Diffuser material:	Glass
Structure finish:	Chrome Old brown	Diffuser finish:	Satin



[Download photometric file .ldt / .ies](#)

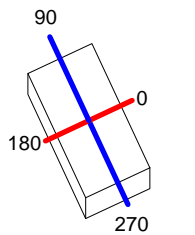


[Click on image to download energy label](#)

Luminaire		Measur.		Lamp			
Code	482-CR	Code	482-CR	Code	CLAS A CL 100		
Name	Aplique LUGO 100W E27 opal	Name	Aplique LUGO 100W E27 opal	Number	1		
Line	Eulumdat	Date	26-03-2010	Position			
Efficiency	52.77%	Coordinate system	CG	Total Flux	1360.00 lm		
Maximum value	225.92 cd	Position	C=270.00 G=105.00	Sym. on planes	270-90		
Rectangular Luminaire	Length	310 mm	Width	160 mm	Height	70 mm	
Rectangular Luminous Area	Length	310 mm	Width	160 mm	Height	70 mm	
Horizontal Luminous Area	0.049600 m2	Emitting area on Plane 180°	0.021700 m2	Emitting area on Plane 270°	0.011200 m2	Glare area at 76°	0.033055 m2
Symmetry Type	Sym. on planes 270-90	Maximum Gamma Angle	180	Measurement Flux	1360.00 lm		
Operator	Aselum	Source voltage		Source current		Photocell	
Temperature	25.00 °C						
Humidity	60.00 %						
Notes							

Luminaire Lamps						
Line	Code	Name	Flux [lm]	Pow. [W]	Q.ty	
Eulumdat	CLAS A CL 100	CLAS A CL 100 - 100.00 W	1360.00	100.00	1	
C.I.E.	29 54 77 59 53	D DIN 5040				
F UTE	0.31 J + 0.22 T	B NBN				
						C11 BZ 7

310mm x 160mm



C Halfplanes

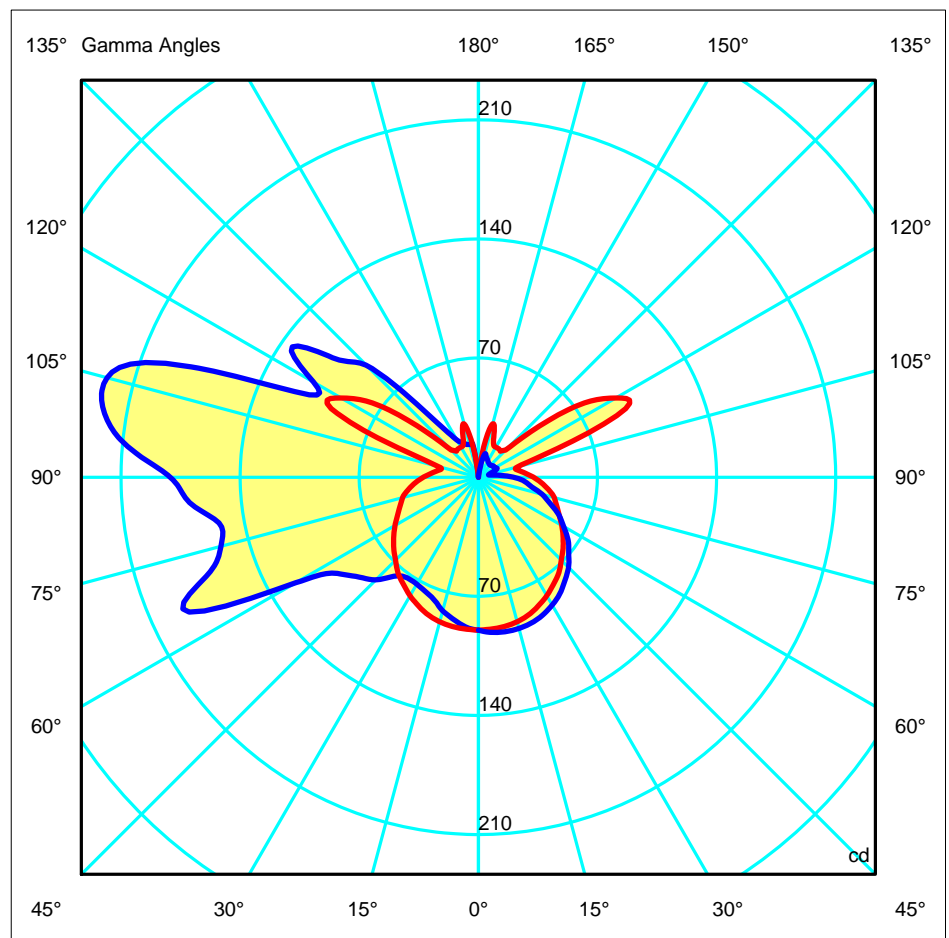
270.0 ———— 0.0

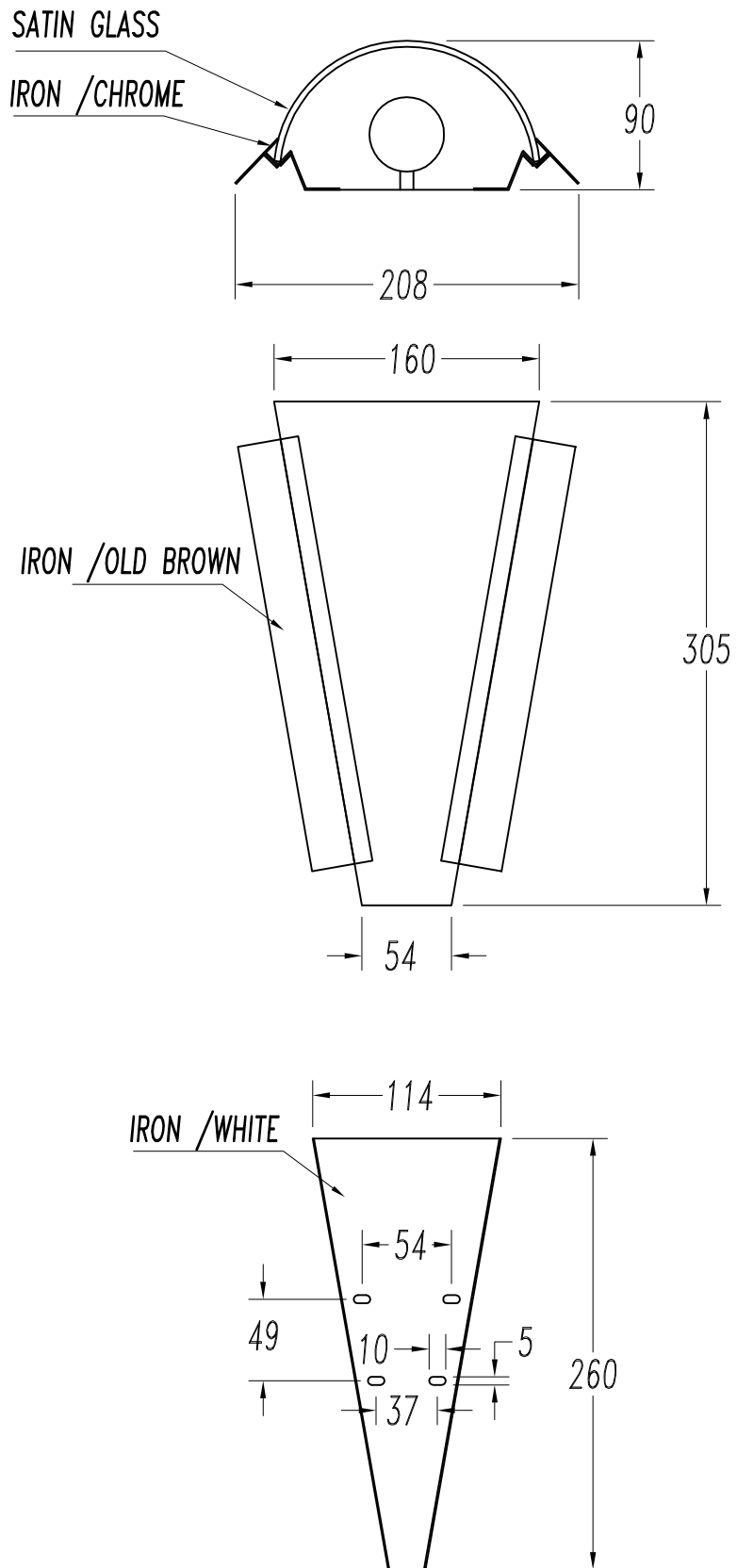
180.0 ———— 90.0

ULOR 21.50 %

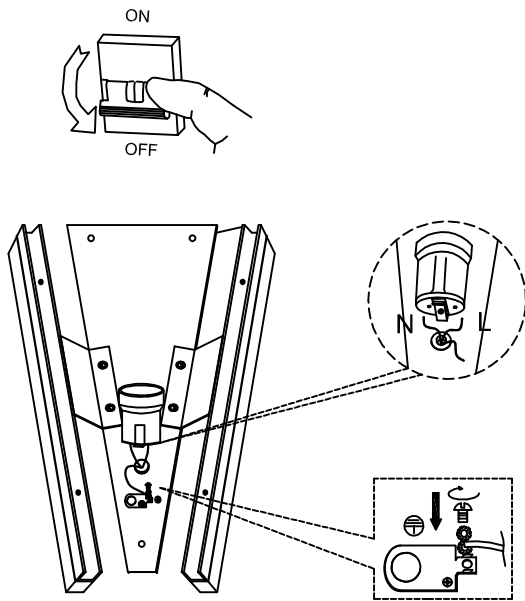
DLOR 31.27 %

RN 40.75 %

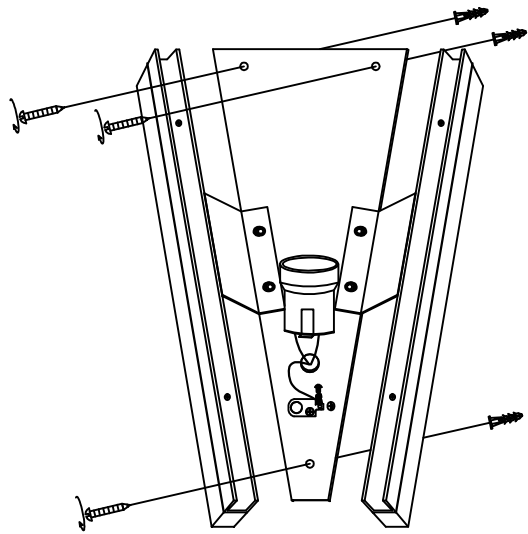




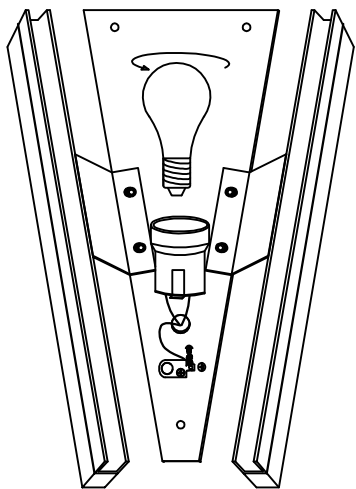
1



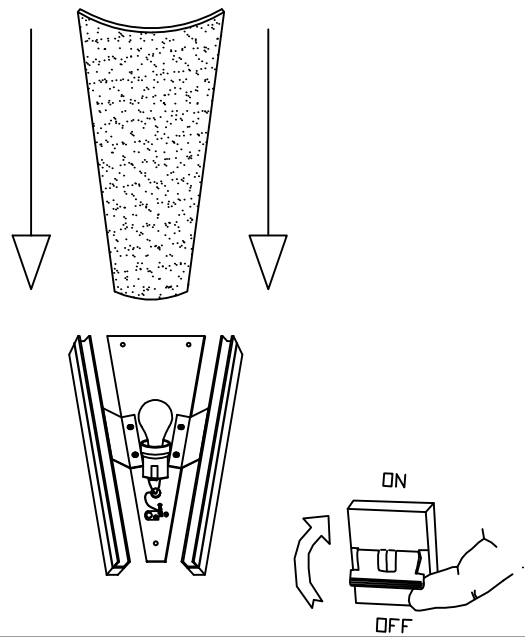
2



3



4



5

