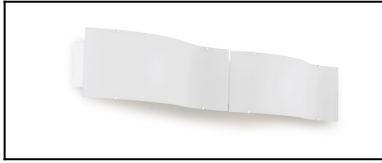
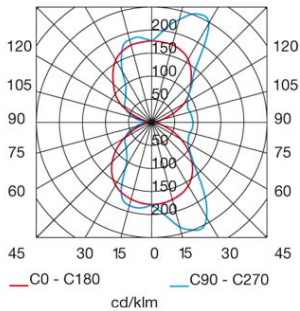
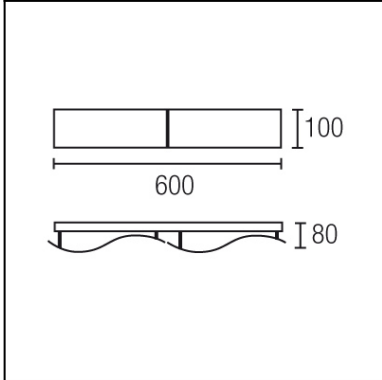


Design by Estudi Ribaudí



The photograph may not match the reference exactly. Please read the product description to identify the finish.



TECHNICAL CHARACTERISTICS

Type:	Wall fixture
IP Protection degrees:	IP44
Light source 1:	2 x G9 MAX 75W
Bulb included:	2 x G9 42W. Warm White - 2500K
Total power consumption (W):	150
Voltage / Frequency:	220-240V/50-60Hz
Warranty (Years):	2
Units per box:	4
Net Weight (Kg):	1.22
EAN:	8435111050378

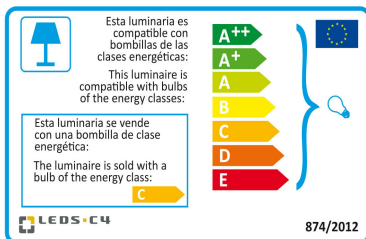


MATERIALS / FINISHES

Structure material: Steel
Structure finish: White lacquered

Diffuser material: Glass
Diffuser finish: Satin

Download photometric file .ldt / .ies

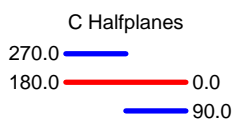
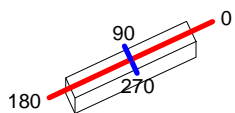


Click on image to download energy label

Luminaire		Measur.		Lamp			
Code	486-BL	Code	486-BL	Code	66660AM		
Name	Aplique ONDA 2x60W G9 opal	Name	Aplique ONDA 2x60W G9 opal	Number	2		
Line	Eulumdat	Date	28-07-2010	Position			
Efficiency	71.93%	Coordinate system	CG	Total Flux	1580.00 lm		
Maximum value	256.47 cd	Position	C=90.00 G=155.00	Sym. on planes	270-90		
Rectangular Luminaire	Length	100 mm	Width	600 mm	Height	70 mm	
Rectangular Luminous Area	Length	100 mm	Width	600 mm	Height	75 mm	
Horizontal Luminous Area	0.060000 m2	Emitting area on Plane 180°	0.007500 m2	Emitting area on Plane 270°	0.045000 m2	Glare area at 76°	0.021793 m2
Symmetry Type	Sym. on planes 270-90	Maximum Gamma Angle	180	Measurement Flux	1580.00 lm		
Measurement Distance	0.00						
Operator	Asselum	Source voltage	25.00 °C	Source current	60.00 %	Photocell	
Temperature	25.00 °C						
Humidity	60.00 %						
Notes							

Luminaire Lamps						
Line	Code	Name	Flux [lm]	Pow. [W]	Q.ty	
Eulumdat	66660AM	66660AM - 60.00 W	790.00	60.00	2	
C.I.E.	48 75 90 50 72	D DIN 5040	C31			
F UTE	0.36 E + 0.36 T	B NBN	BZ 4 / 0.8 / BZ 5			

100mm x 600mm



ULOR	36.15 %
DLOR	35.78 %
RN	50.26 %

