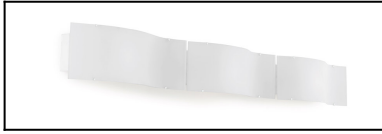
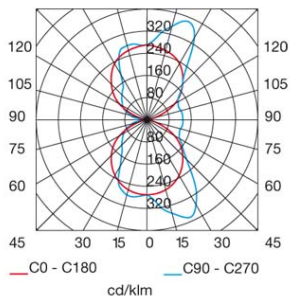
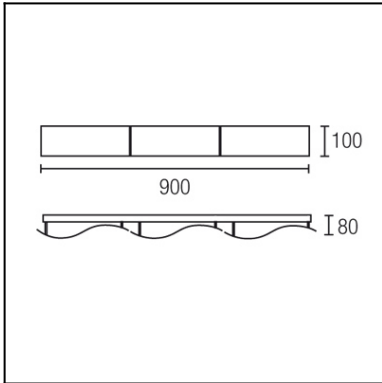


Design by Estudi Ribaudí



The photograph may not match the reference exactly. Please read the product description to identify the finish.



TECHNICAL CHARACTERISTICS

Type:	Wall fixture
IP Protection degrees:	IP44
Light source 1:	3 x G9 MAX 75W
Bulb included:	3 x G9 42W. Warm White - 2500K
Total power consumption (W):	225
Voltage / Frequency:	220-240V/50-60Hz
Warranty (Years):	2
Units per box:	4
Net Weight (Kg):	1.8
EAN:	8435111050385

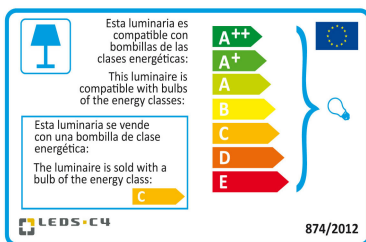


MATERIALS / FINISHES

Structure material: Steel
Structure finish: White lacquered

Diffuser material: Glass
Diffuser finish: Satin

Download photometric file .ldt / .ies

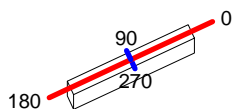


Click on image to download energy label

Luminaire		Measur.		Lamp		
Code	487-BL	Code	487-BL	Code	66660AM	
Name	Aplique ONDA 3x60W G9 opal	Name	Aplique ONDA 3x60W G9 opal	Number	3	
Line	Eulumdat	Date	28-07-2010	Position		
Efficiency	71.86%	Coordinate system	CG	Total Flux	2370.00 lm	
Maximum value	383.25 cd	Position	C=90.00 G=25.00	Sym. on planes	270-90	
Rectangular Luminaire	Length	100 mm	Width	900 mm	Height	70 mm
Rectangular Luminous Area	Length	100 mm	Width	900 mm	Height	75 mm
Horizontal Luminous Area	0.090000 m2	Emitting area on Plane 180°		0.007500 m2		
Emitting area on Plane 0°	0.007500 m2	Emitting area on Plane 270°		0.067500 m2		
Emitting area on Plane 90°	0.067500 m2	Glare area at 76°		0.029050 m2		
Symmetry Type	Sym. on planes 270-90	Maximum Gamma Angle		180		
Measurement Distance	0.00	Measurement Flux		2370.00 lm		
Operator	Asselum	Source voltage				
Temperature	25.00 °C	Source current				
Humidity	60.00 %	Photocell				
Notes						

Luminaire Lamps					
Line	Code	Name	Flux [lm]	Pow. [W]	Q.ty
Eulumdat	66660AM	66660AM - 60.00 W	790.00	60.00	3
C.I.E.	48 76 90 50 72	D DIN 5040	C31		
F UTE	0.36 E + 0.36 T	B NBN	BZ 4 / 0.8 / BZ 5		

100mm x 900mm



ULOR	35.62 %
DLOR	36.24 %
RN	49.56 %

