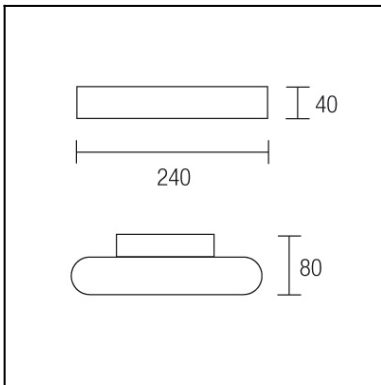


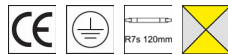


The photograph may not match the reference exactly. Please read the product description to identify the finish.



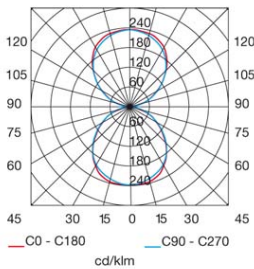
TECHNICAL CHARACTERISTICS

Type:	Wall fixture
Light source 1:	1 x R7s MAX 150W Maximum lamp length: 118.00 mm
Bulb included:	1 x R7s 120W
Total power consumption (W):	150
Voltage / Frequency:	220-240V/50-60Hz
Warranty (Years):	2
Units per box:	6
Net Weight (Kg):	0.595
EAN:	8435111051269



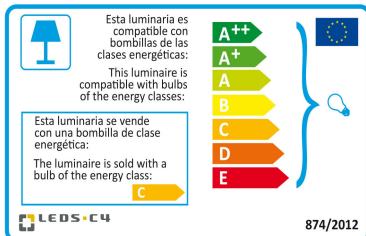
MATERIALS / FINISHES

Structure material:	Steel	Diffuser material:	Glass
Structure finish:	Chrome	Diffuser finish:	Satin



$\eta=59,09\%$

Download photometric file .ldt / .ies

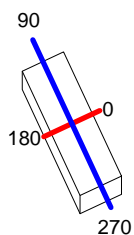


Click on image to download energy label

Luminaire		Measur.		Lamp		
Code	492-CR	Code	492-CR	Code	150T3 Q/CL/P 230V SM	
Name	Aplique HALF 150W R7s opal	Name	Aplique HALF 150W R7s opal	Number	1	
Line	Eulumdat	Date	18-03-2010	Position		
Efficiency	59.09%	Coordinate system	CG	Total Flux	2250.00 lm	
Maximum value	238.63 cd	Position	C=0.00 G=5.00	Double Symmetrical		
Rectangular Luminaire	Length	240 mm	Width	80 mm	Height	40 mm
Rectangular Luminous Area	Length	240 mm	Width	45 mm	Height	40 mm
Horizontal Luminous Area	0.010800 m2	Emitting area on Plane 180°		0.009600 m2		
Emitting area on Plane 0°	0.009600 m2	Emitting area on Plane 270°		0.001800 m2		
Emitting area on Plane 90°	0.001800 m2	Glare area at 76°		0.011928 m2		
Symmetry Type	Double Symmetrical	Maximum Gamma Angle	180			
Measurement Distance	0.00	Measurement Flux	2250.00 lm			
Operator	Asselum	Source voltage				
Temperature	25.00 °C	Source current				
Humidity	60.00 %	Photocell				
Notes						

Luminaire Lamps					
Line	Code	Name	Flux [lm]	Pow. [W]	Q.ty
Eulumdat	150T3 Q/CL/P 230V SM	150T3 Q/CL/P 230V SM - 150.00 W	2250.00	150.00	1
C.I.E.	49 81 96 50 59	D DIN 5040	C31		
F UTE	0.29 E + 0.30 T	B NBN	BZ 4		

240mm x 80mm



C Halfplanes

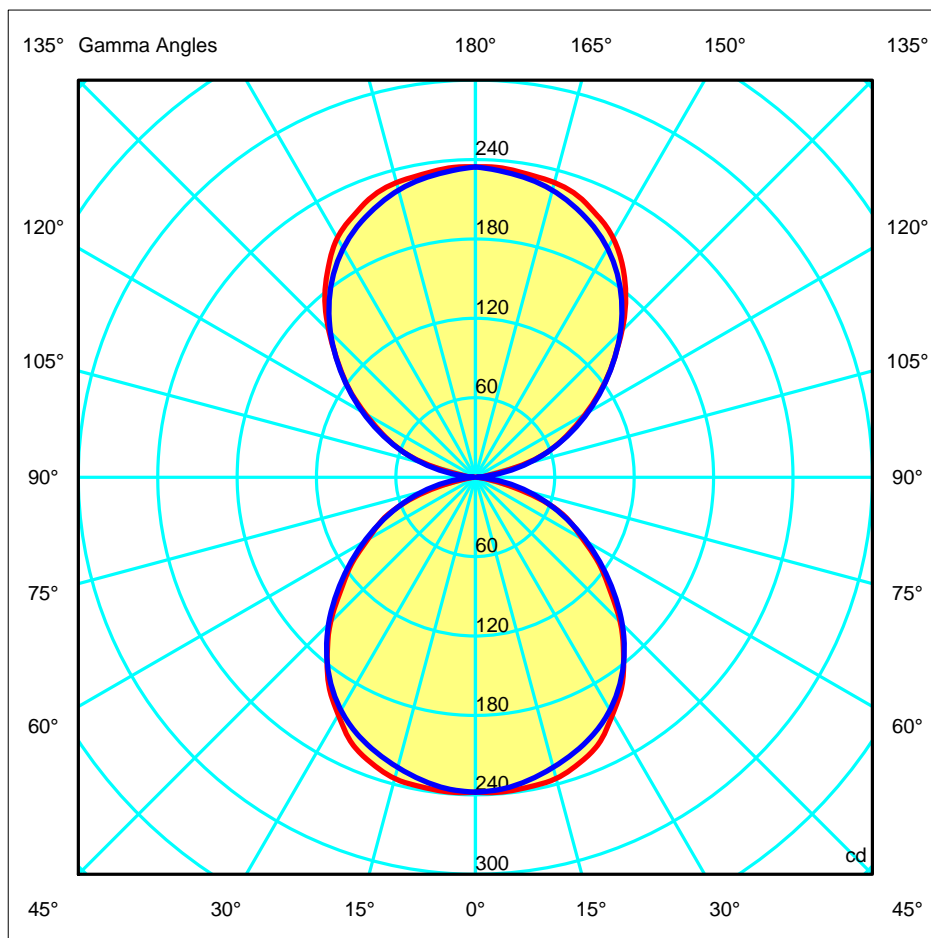
180.0 — 0.0

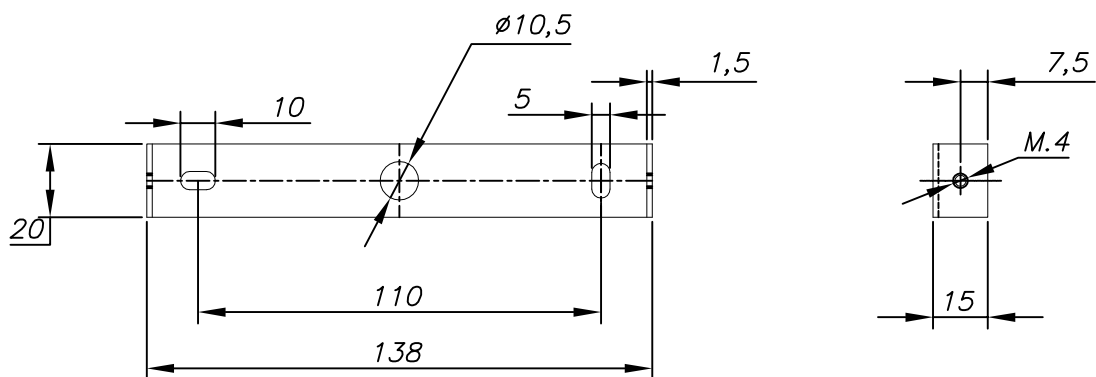
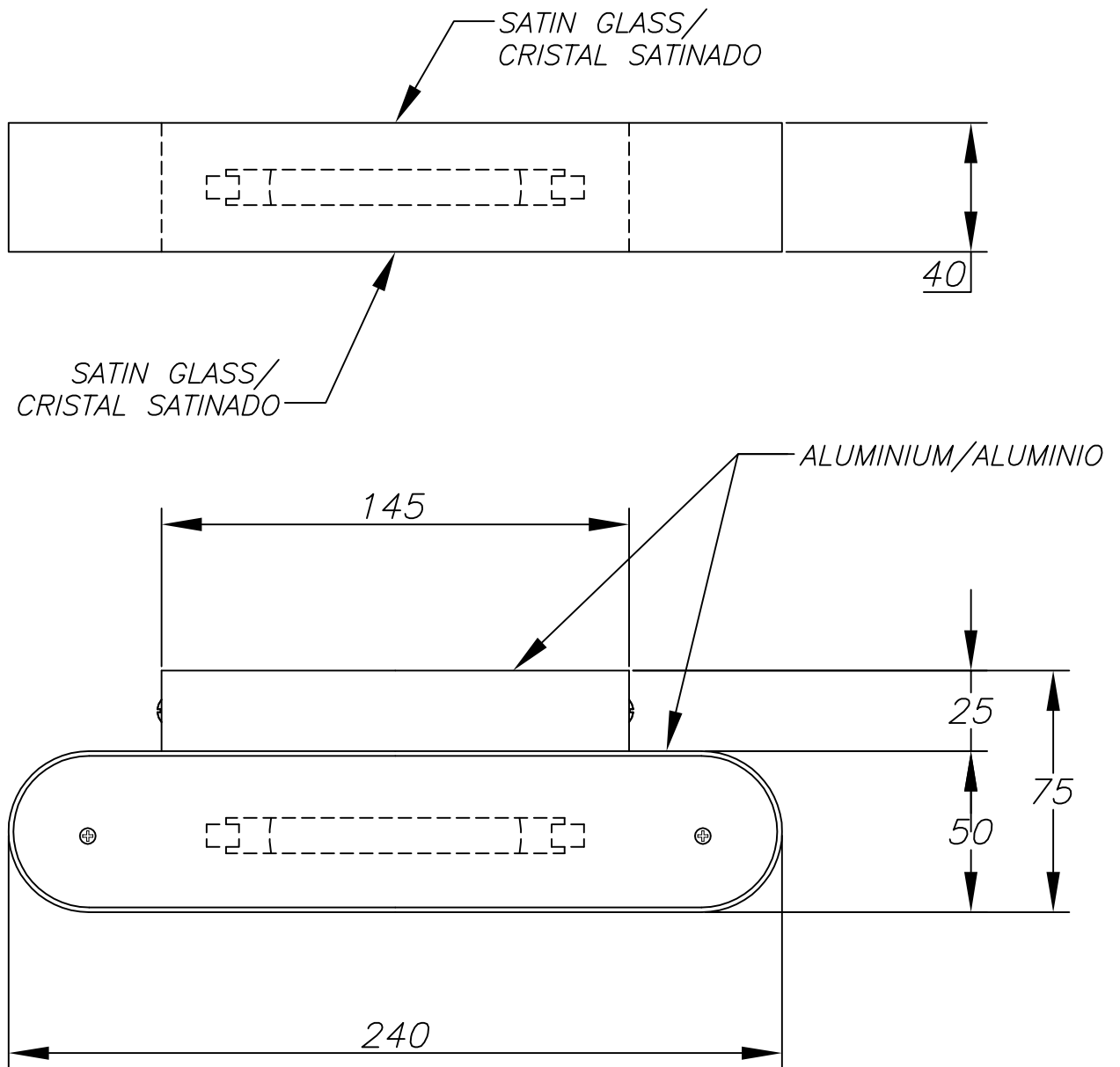
270.0 — 90.0

ULOR 29.62 %

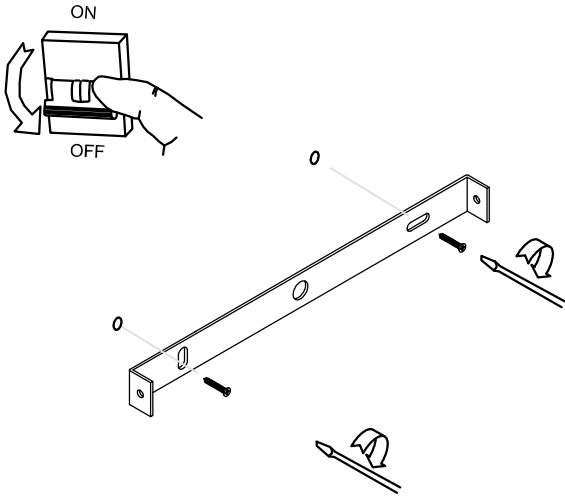
DLOR 29.47 %

RN 50.13 %

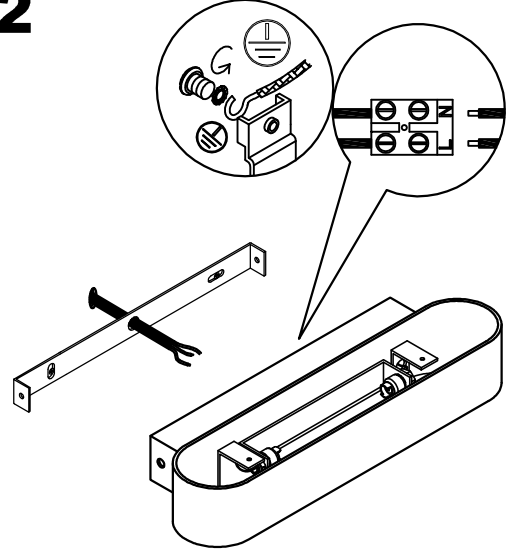




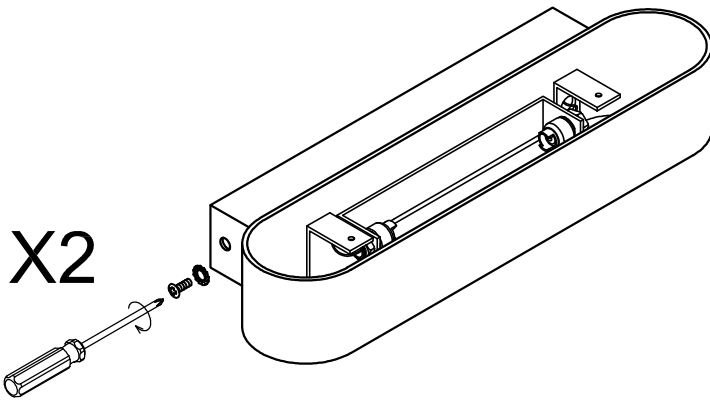
1



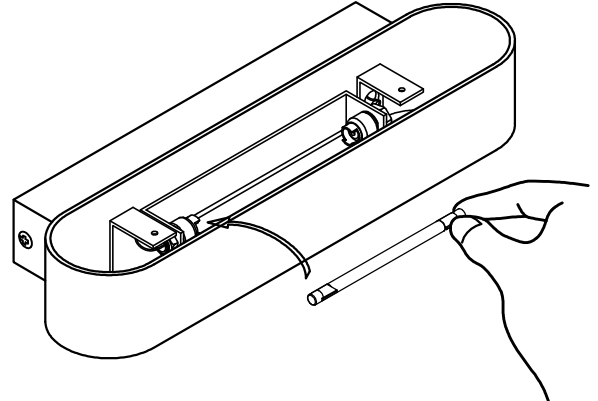
2



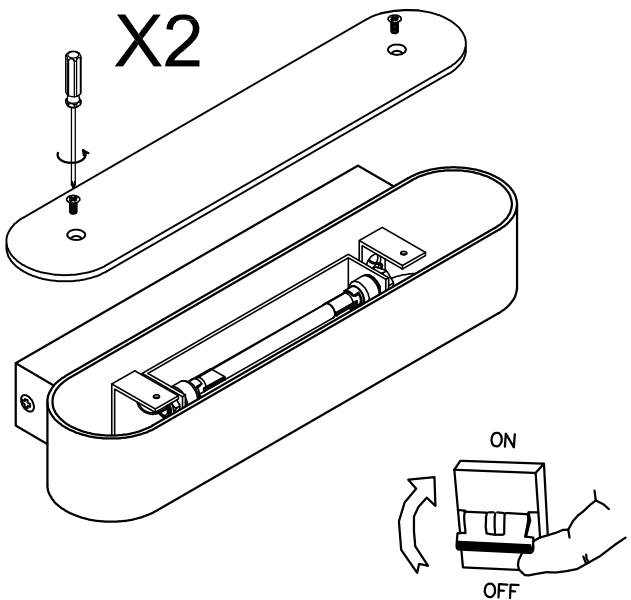
3



4



5



6

