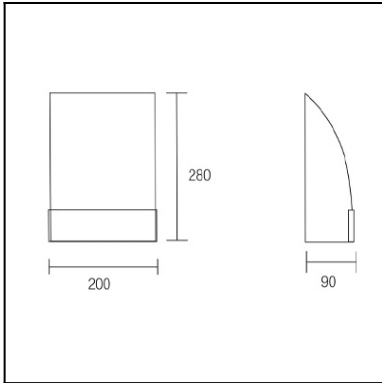
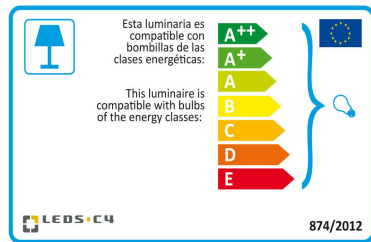




The photograph may not match the reference exactly. Please read the product description to identify the finish.



[Download photometric file .ldt /.ies](#)



[Click on image to download energy label](#)

TECHNICAL CHARACTERISTICS

Type:	Wall fixture
IP Protection degrees:	IP20
Light source 1:	2 x E27 MAX 60W Maximum lamp length: 120.00 mm Maximum lamp diameter: 60.00 mm
Total power consumption (W):	120
Voltage / Frequency:	220-240V/50-60Hz
Warranty (Years):	2
Units per box:	6
Net Weight (Kg):	1.625
EAN:	8435111056974



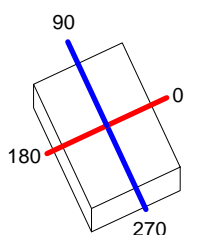
MATERIALS / FINISHES

Structure material:	Steel	Diffuser material:	Glass
Structure finish:	Chrome	Diffuser finish:	Satin

Luminaire		Measur.		Lamp			
Code	506-CR	Code	506-CR	Code	CLAS A CL 60		
Name	Aplique NIZA 2x60W E27 opal	Name	Aplique NIZA 2x60W E27 opal	Number	2		
Line	Eulumdat	Date	29-03-2010	Position			
Efficiency	26.81%	Coordinate system	CG	Total Flux	1420.00 lm		
Maximum value	130.15 cd	Position	C=285.00 G=15.00	Sym. on planes	270-90		
Rectangular Luminaire	Length	280 mm	Width	200 mm	Height	90 mm	
Rectangular Luminous Area	Length	220 mm	Width	200 mm	Height	89 mm	
Horizontal Luminous Area	0.044000 m2	Emitting area on Plane 180°	0.019800 m2	Emitting area on Plane 270°	0.018000 m2	Glare area at 76°	0.029856 m2
Symmetry Type	Sym. on planes 270-90	Maximum Gamma Angle	180	Measurement Flux	1420.00 lm		
Measurement Distance	0.00						
Operator	Asselum	Source voltage	25.00 °C	Source current	60.00 %	Photocell	
Temperature	25.00 °C						
Humidity	60.00 %						
Notes							

Luminaire Lamps						
Line	Code	Name	Flux [lm]	Pow. [W]	Q.ty	
Eulumdat	CLAS A CL 60	CLAS A CL 60 - 60.00 W	710.00	60.00	2	
C.I.E.	45 75 92 95 27	D DIN 5040				A31
F UTE	0.25 E + 0.01 T	B NBN				BZ 5

280mm x 200mm



C Halfplanes

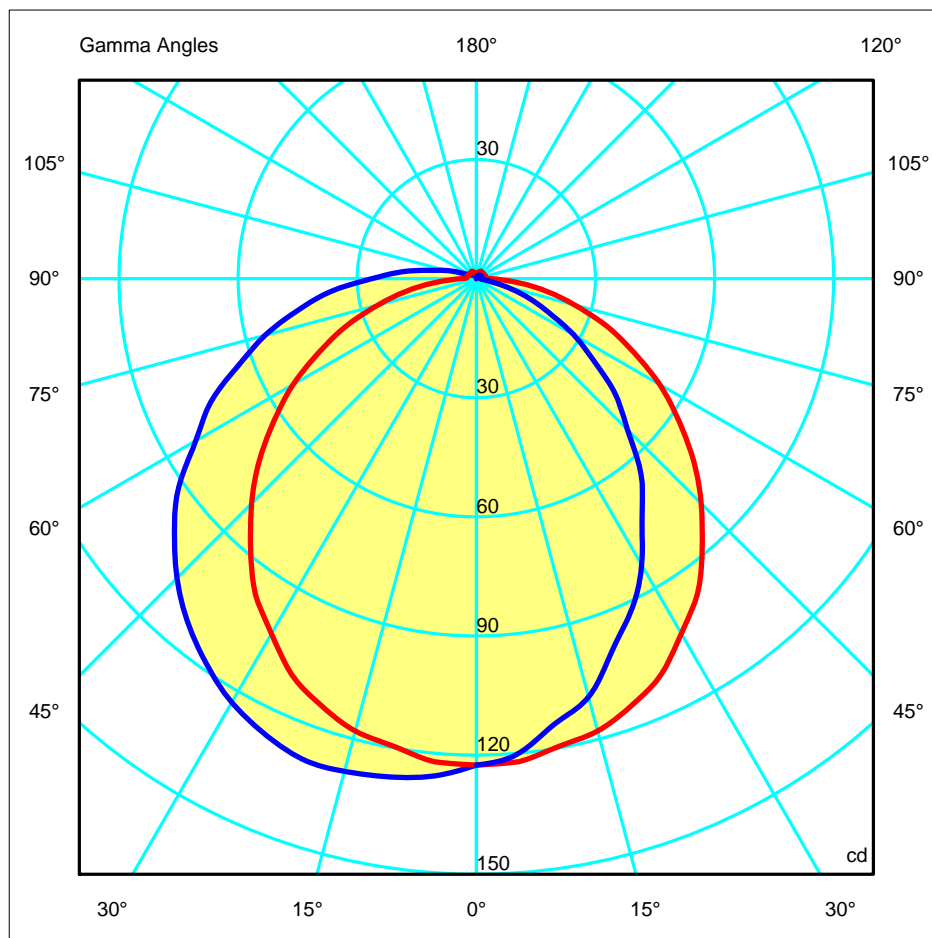
270.0 ———— 0.0

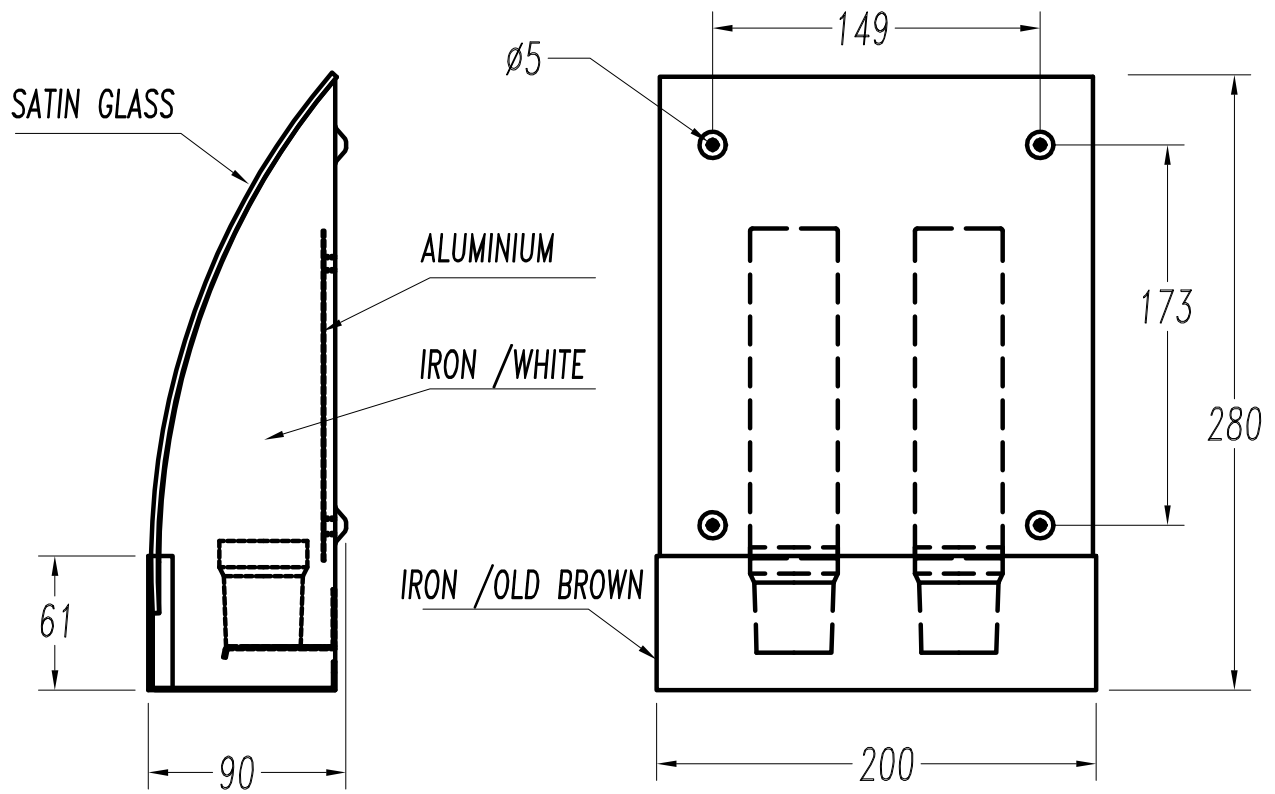
180.0 ———— 90.0

ULOR 1.33 %

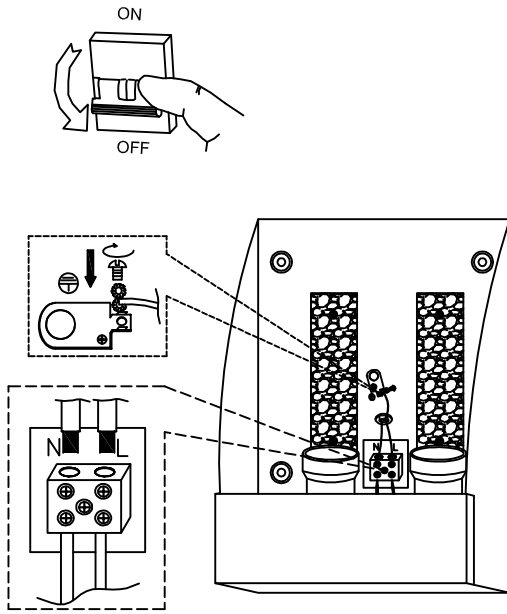
DLOR 25.48 %

RN 4.95 %

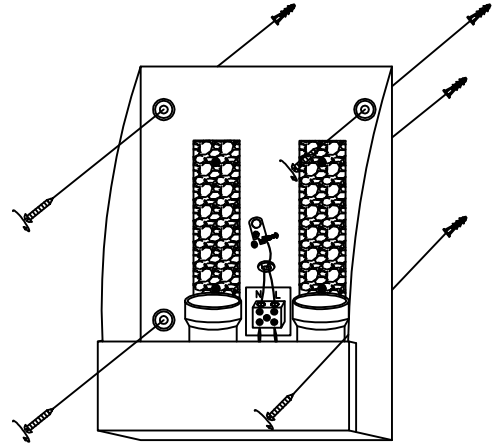




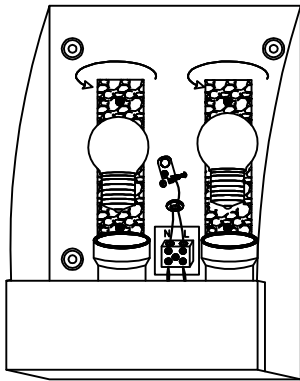
1



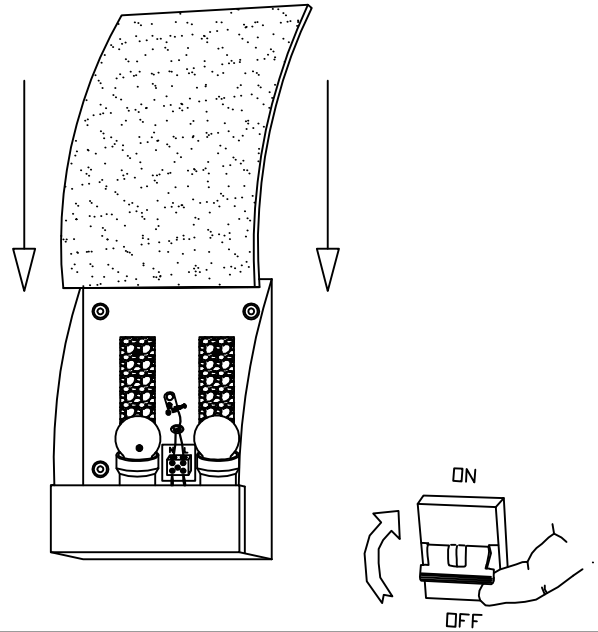
2



3



4



5

