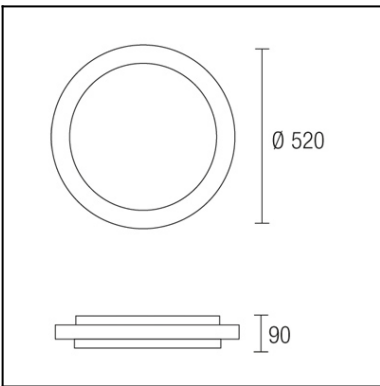
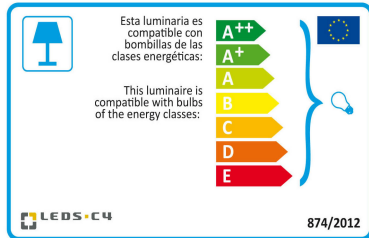




The photograph may not match the reference exactly. Please read the product description to identify the finish.



[Download photometric file .ldt /.ies](#)



[Click on image to download energy label](#)

TECHNICAL CHARACTERISTICS

Type:	Ceiling fixture
IP Protection degrees:	IP23
Light source 1:	1 x 2GX13 55W
Light source 2:	1 x 2GX13 22W
Total power consumption (W):	66
Voltage / Frequency:	220-240V/50-60Hz
Warranty (Years):	2
Units per box:	2
Net Weight (Kg):	2.2
EAN:	8435111057049



MATERIALS / FINISHES

Structure material:	Steel	Diffuser material:	Polycarbonate
Structure finish:	Grey	Diffuser finish:	Opal

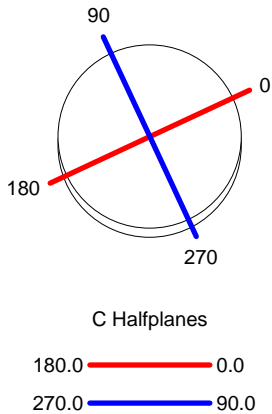
GEAR

Gear included: Yes, electronic

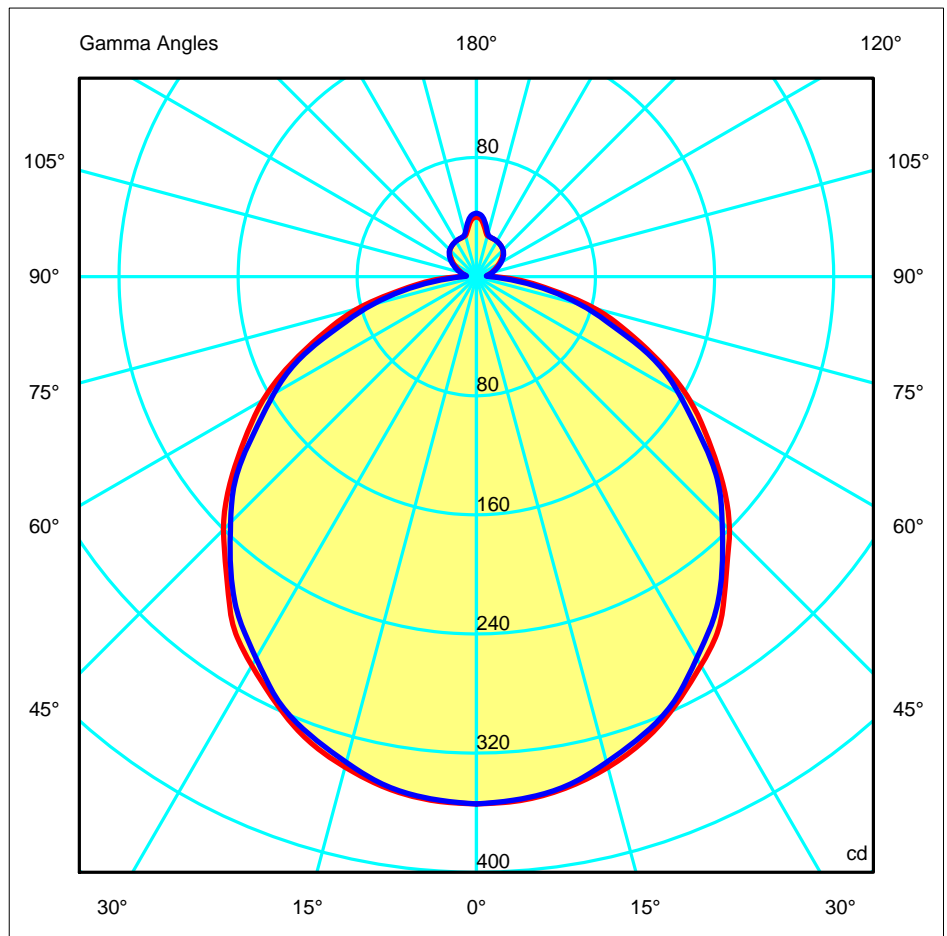
Luminaire		Measur.		Lamp	
Code	514-GR	Code	514-GR	Code	-
Name	Plafón 22W+55W FC opal	Name	Plafón 22W+55W FC opal	Number	2
Line	Eulumdat	Date	29-12-2011	Position	
Efficiency	19.04%	Coordinate system	CG	Total Flux	6000.00 lm
Maximum value	354.02 cd	Position	C=0.00 G=0.00	Double Symmetrical	
Round Luminaire	Diam.	520 mm	Height	90 mm	
Round Luminous Area	Diam.	470 mm	Height	90 mm	
Horizontal Luminous Area	0.173494 m2	Emitting area on Plane 180°	0.042300 m2		
Emitting area on Plane 0°	0.042300 m2	Emitting area on Plane 270°	0.042300 m2		
Emitting area on Plane 90°	0.042300 m2	Glare area at 76°	0.083016 m2		
Symmetry Type	Double Symmetrical	Maximum Gamma Angle	180		
Measurement Distance	0.00	Measurement Flux	6000.00 lm		
Operator	Asselum T2	Source voltage			
Temperature	25.00 °C	Source current			
Humidity	60.00 %	Photocell			
Notes					

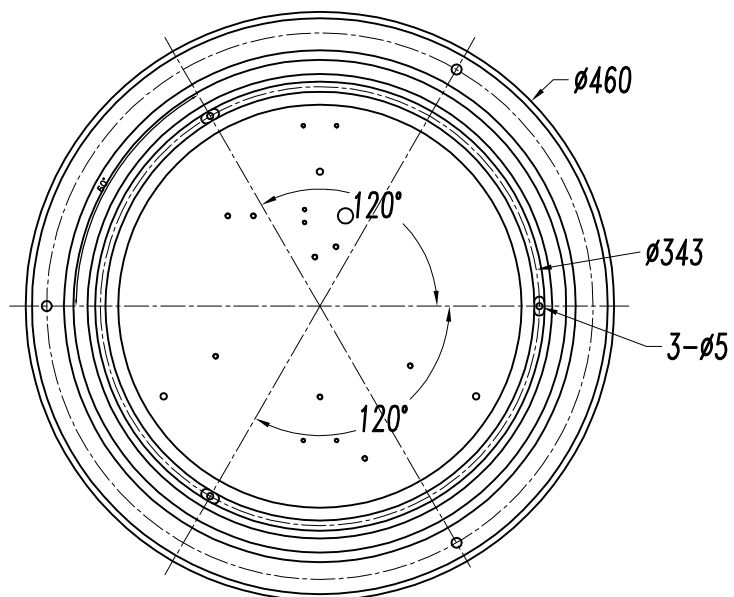
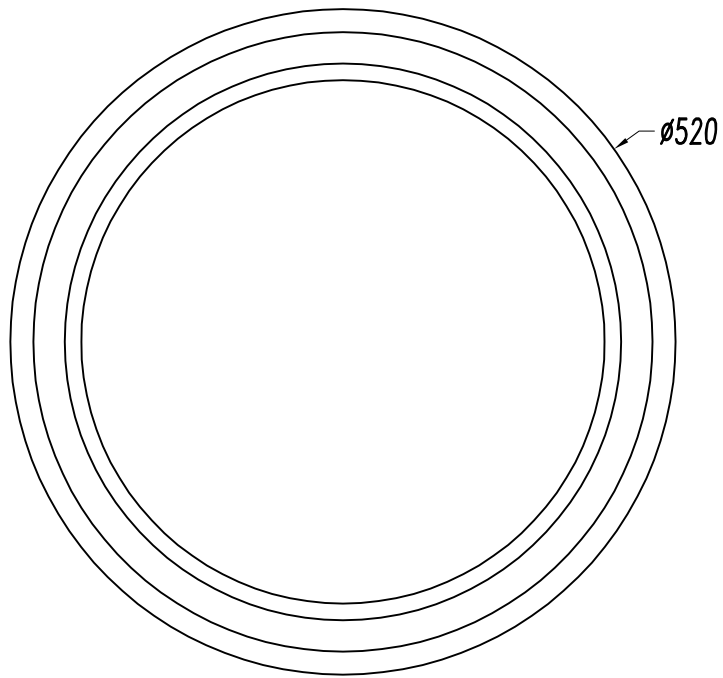
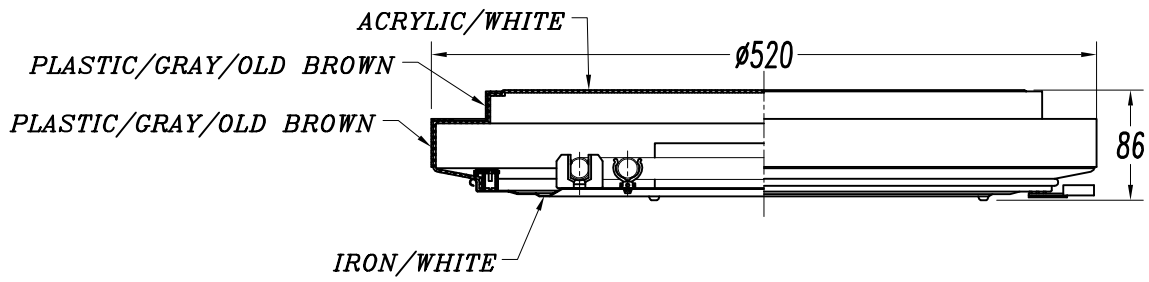
Line		Code		Luminaire Lamps		Flux [lm]	Pow. [W]	Q.ty
Eulumdat		-		Name		3000.00	38.50	2
				- - 38.50 W				
C.I.E.	46 77 94 90 19			D DIN 5040	B31			
F UTE	0.17 E + 0.02 T			B NBN	BZ 5			

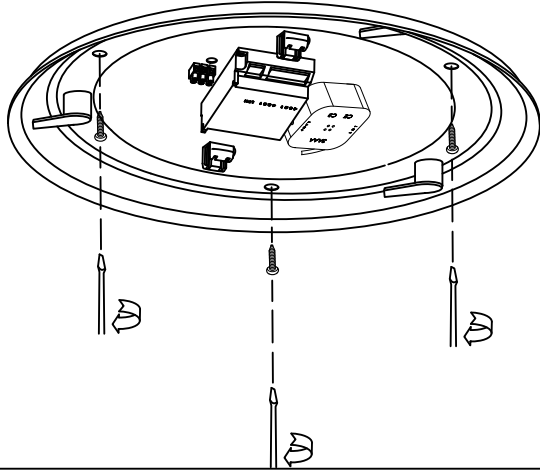
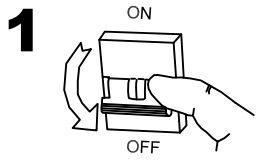
Diam=520mm



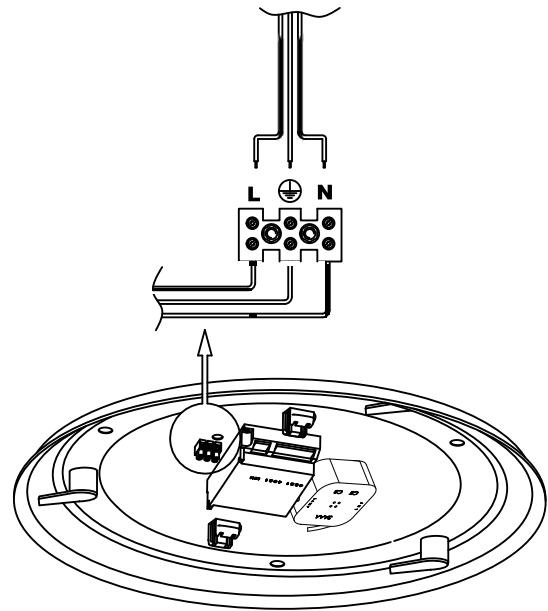
ULOR 1.94 %
DLOR 17.11 %
RN 10.16 %



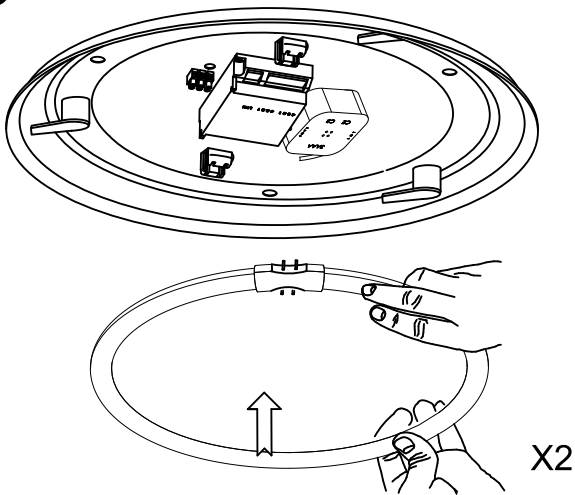




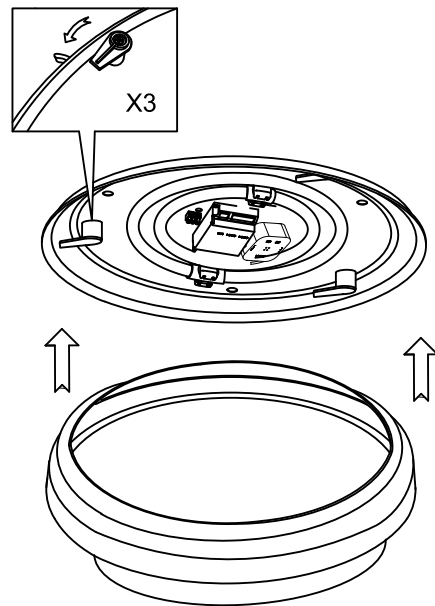
2



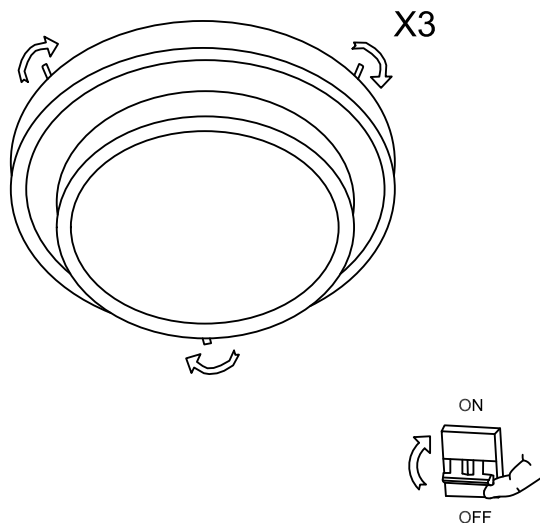
3



4



5



6

