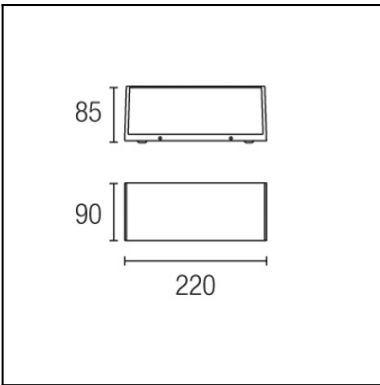




The photograph may not match the reference exactly. Please read the product description to identify the finish.



TECHNICAL CHARACTERISTICS

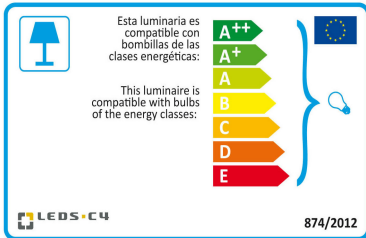
Type:	Wall fixture
IP Protection degrees:	IP44
Light source 1:	1 x E27 60W Maximum lamp length: 160.00 mm Maximum lamp diameter: 70.00 mm
Total power consumption (W):	60
Voltage / Frequency:	220-240V/50-60Hz
Warranty (Years):	2
Units per box:	6
Net Weight (Kg):	1.055
EAN:	8435111084557



MATERIALS / FINISHES

Structure material:	Aluminium	Diffuser material:	Glass
Structure finish:	White	Diffuser finish:	Satin

Download photometric file .ldt /.ies

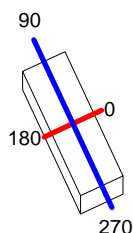


Click on image to download energy label

Luminaire		Measur.		Lamp		
Code	05-4401	Code	05-4401	Code	11	
Name	wall fixtures	Name	wall fixtures	Number	1	
Line	Eulumdat	Date	11-11-2013	Position		
Efficiency	25.84%	Coordinate system	CG	Total Flux	1400.00 lm	
Maximum value	104.53 cd	Position	C=0.00 G=168.00	Asymmetrical		
Rectangular Luminaire	Length	205 mm	Width	70 mm	Height	82 mm
Rectangular Luminous Area	Length	205 mm	Width	70 mm	Height	81 mm
Horizontal Luminous Area	0.014350 m2	Emitting area on Plane 180°		0.016810 m2		
Emitting area on Plane 0°	0.016810 m2	Emitting area on Plane 270°		0.005740 m2		
Emitting area on Plane 90°	0.005740 m2	Glare area at 76°		0.019782 m2		
Symmetry Type	Asymmetrical	Maximum Gamma Angle		180		
Measurement Distance	0.00	Measurement Flux		1400.00 lm		
Operator		Source voltage				
Temperature	25.00 °C	Source current				
Humidity	60.00 %	Photocell				
Notes						

		Luminaire Lamps				
Line	Code	Name	Flux [lm]	Pow. [W]	Q.ty	
Eulumdat	11	11 - 20.10 W	1400.00	20.10	1	
C.I.E.	55 85 97 47 26	D DIN 5040				
F UTE	0.12 D + 0.14 T	B NBN				
		C42				
		BZ 3 / 4 / BZ 4				

205mm x 70mm



C Halfplanes

180.0 — 0.0

270.0 — 90.0

ULOR 13.81 %

DLOR 12.03 %

RN 53.44 %

