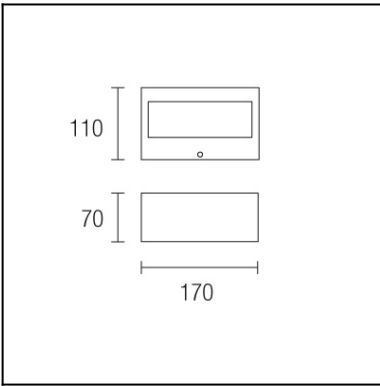
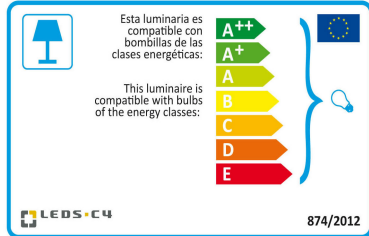


The photograph may not match the reference exactly. Please read the product description to identify the finish.



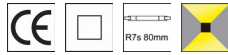
[Download photometric file .ldt /.ies](#)



[Click on image to download energy label](#)

TECHNICAL CHARACTERISTICS

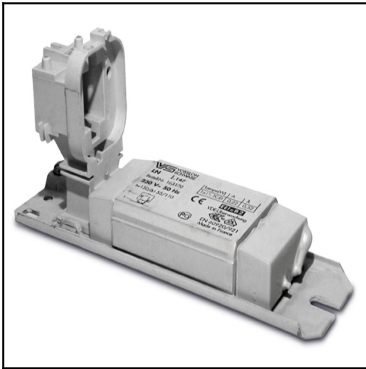
Type:	Wall fixture
IP Protection degrees:	IP20
Light source 1:	1 x R7s 100W Maximum lamp length: 78.00 mm
Total power consumption (W):	100
Voltage / Frequency:	220-240V/50-60Hz
Warranty (Years):	2
Units per box:	8
Net Weight (Kg):	0.67
EAN:	8435111084588



MATERIALS / FINISHES

Structure material:	Brushed aluminium	Diffuser material:	Glass
		Diffuser finish:	Tinted

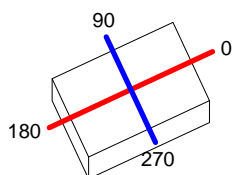
71-8969-00-00



Luminaire		Measur.		Lamp		
Code	05-4402-BX-B8	Code	05-4402-BX-B8	Code	PL-C13W/840/2P	
Name	Aplique dir/ind 13W TC-D	Name	Aplique dir/ind 13W TC-D	Number	1	
Line	Eulumdat	Date	19-11-2008	Position		
Efficiency	40.02%	Coordinate system	CG	Total Flux	900.00 lm	
Maximum value	83.45 cd	Position	C=0.00 G=165.00	Asymmetrical		
Rectangular Luminaire	Length	110 mm	Width	170 mm	Height	70 mm
Rectangular Luminous Area	Length	70 mm	Width	155 mm	Height	1 mm
Horizontal Luminous Area	0.010850 m2	Emitting area on Plane 180°		0.000070 m2		
Emitting area on Plane 0°	0.000070 m2	Emitting area on Plane 270°		0.000155 m2		
Emitting area on Plane 90°	0.000155 m2	Glare area at 76°		0.002693 m2		
Symmetry Type	Asymmetrical	Maximum Gamma Angle		180		
Measurement Distance	0.00	Measurement Flux		900.00 lm		
Operator	Asselum	Source voltage				
Temperature	25.00 °C	Source current				
Humidity	60.00 %	Photocell				
Notes						

Luminaire Lamps						
Line	Code	Name	Flux [lm]	Pow. [W]	Q.ty	
Eulumdat	PL-C13W/840/2P	PL-C13W/840/2P - 13.00 W	900.00	13.00	1	
C.I.E.	55 84 97 49 40	D DIN 5040	C42			
F UTE	0.20 D + 0.20 T	B NBN	BZ 3 / 0.6 / BZ 4			

110mm x 170mm



C Halfplanes

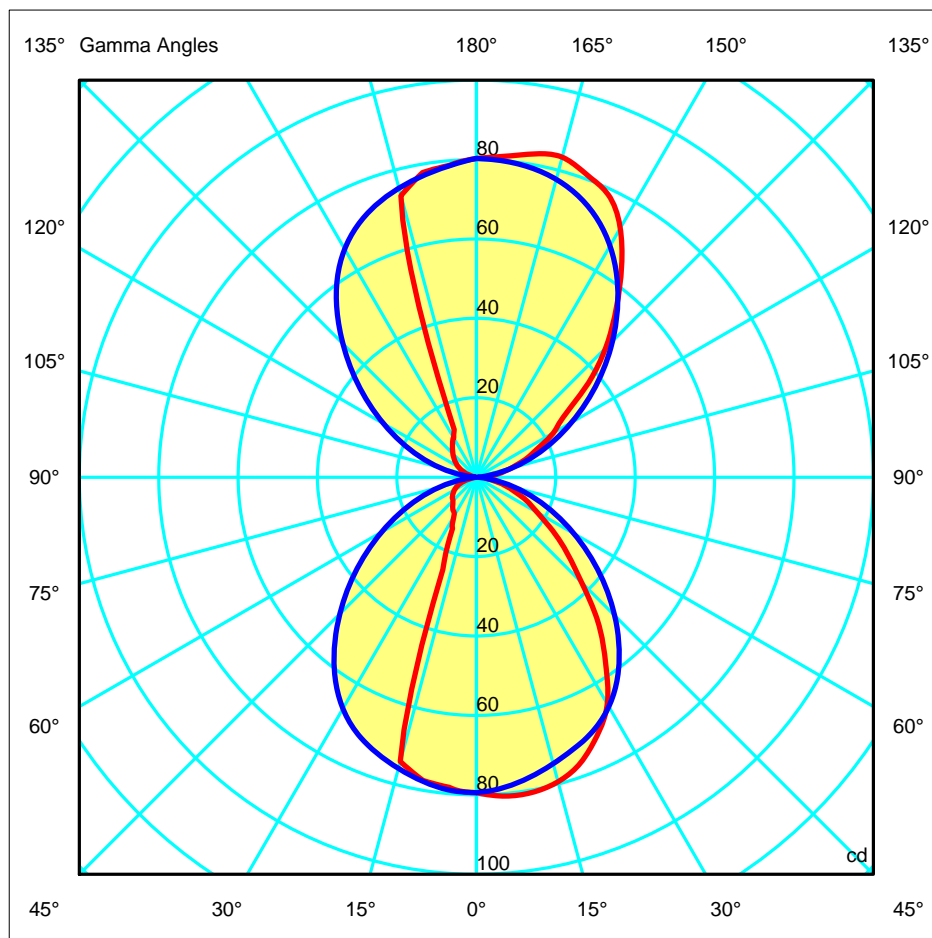
180.0 — 0.0

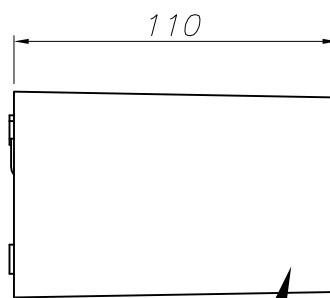
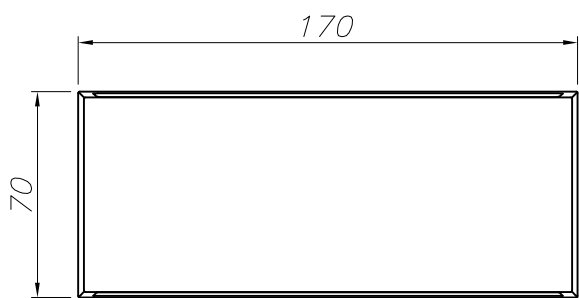
270.0 — 90.0

ULOR 20.23 %

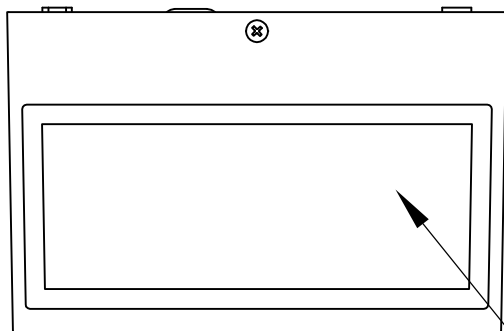
DLOR 19.79 %

RN 50.56 %

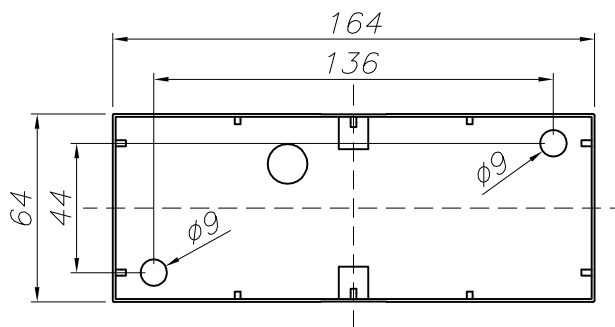




ALUMINIO INYECTADO
INJECTED ALUMINUM

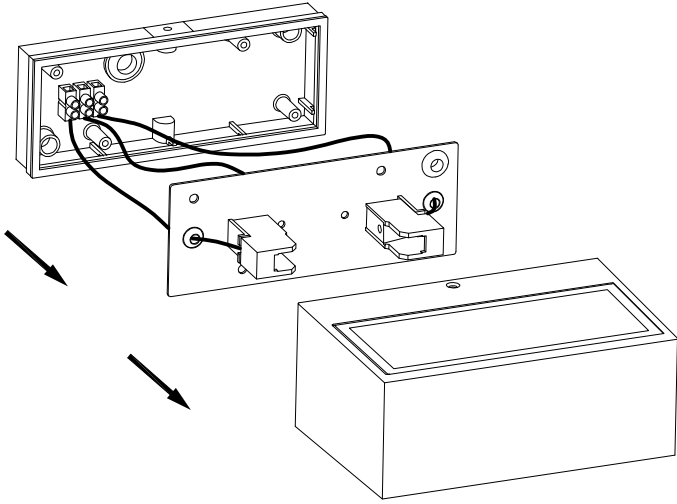


CRISTAL MATE
MATT GLASS

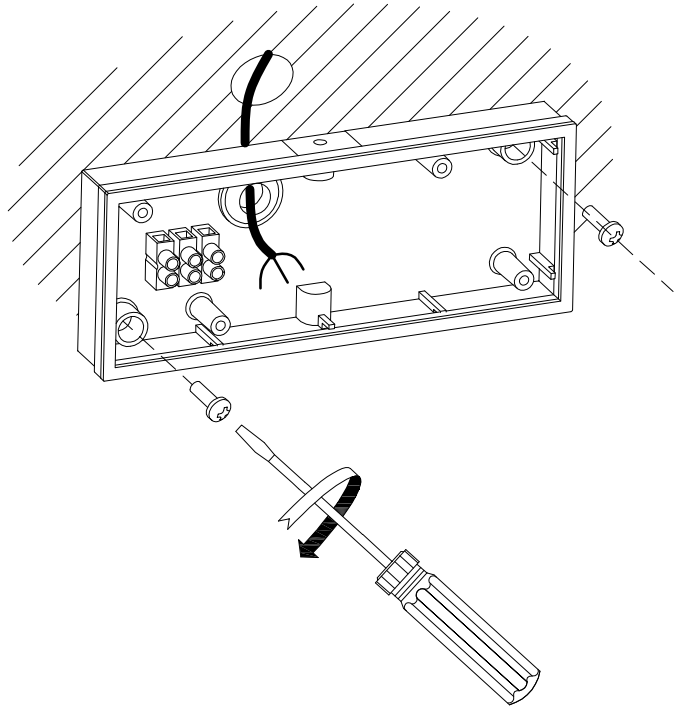


PLANTILLA DE INSTALACIÓN
INSTALLATION TEMPLATE

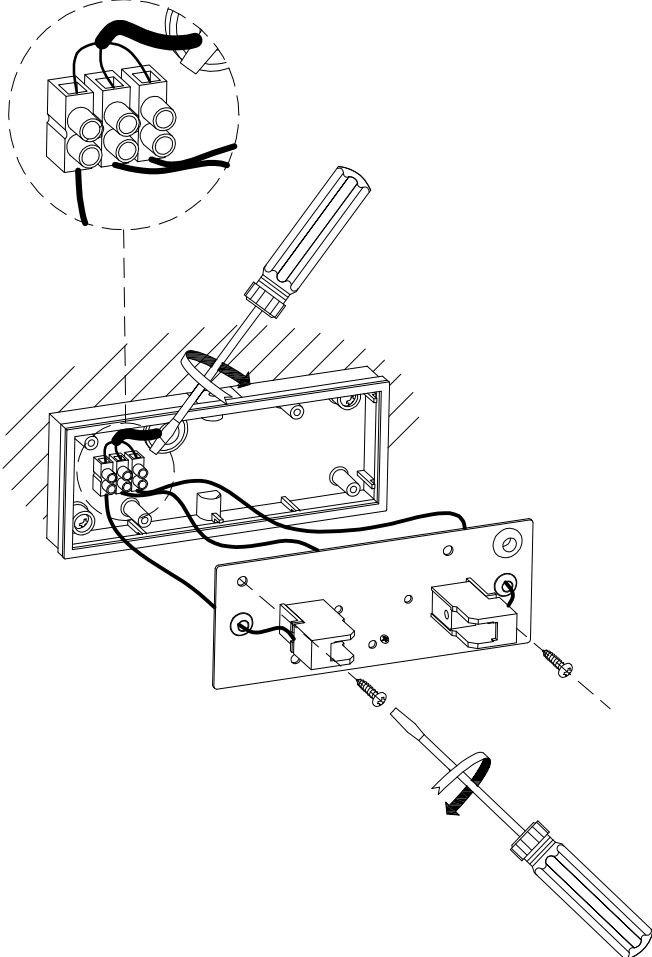
①



②



③



④

