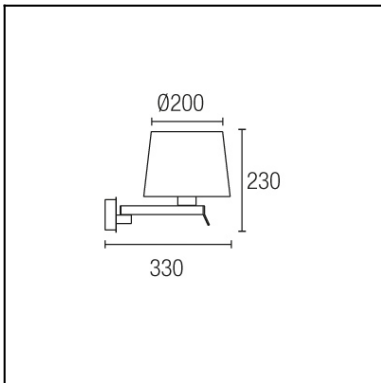
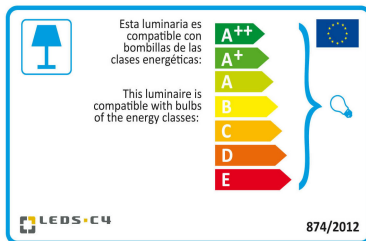


**Design by Nahrang Design**


The photograph may not match the reference exactly. Please read the product description to identify the finish.



[Download photometric file .ldt /.ies](#)



Click on image to download energy label

**TECHNICAL CHARACTERISTICS**

Type:	Wall fixture
Adjustable:	Adjustable $\pm 120^\circ$ on the horizontal axis.
IP Protection degrees:	IP20
Light source 1:	1 x E27 60w
Total power consumption (W):	60
Voltage / Frequency:	220-240V/50-60Hz
Warranty (Years):	2
Units per box:	8
Net Weight (Kg):	0.48
EAN:	8435111086674


**MATERIALS / FINISHES**

**Structure material:** Steel

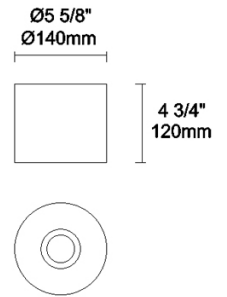
**Structure finish:** Old brown


## PAN-175-14



Shade, white, Ø140mm

**Structure material:** Steel  
**Diffuser material:** Fabric shade  
**Diffuser finish:** White



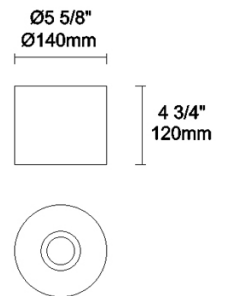
IP20 

## PAN-175-BY



Shade, beige fabric, Ø140mm

**Structure material:** Steel  
**Diffuser material:** Fabric shade  
**Diffuser finish:** Sandblasted



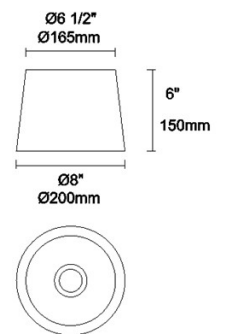
IP20 

## PAN-157-14



Shade, white, Ø200mm

**Structure material:** Steel  
**Diffuser material:** Fabric shade  
**Diffuser finish:** White

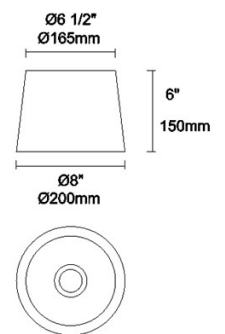


IP20 

## PAN-157-BY



**Structure material:** Steel  
**Diffuser material:** Fabric shade  
**Diffuser finish:** Sandblasted



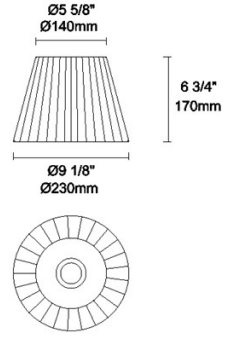
IP20 

PAN-169-14



Shade, white, pleated, Ø230mm

**Structure material:** Steel  
**Diffuser material:** Ribbed shade  
**Diffuser finish:** White

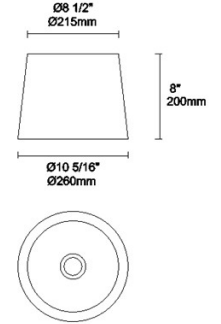


IP20 RF  
850°C

PAN-161-14



**Structure material:** Steel  
**Diffuser material:** Fabric shade  
**Diffuser finish:** White

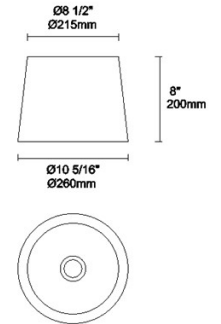


IP20 RF  
850°C

PAN-161-BY



**Structure material:** Steel  
**Diffuser material:** Fabric shade  
**Diffuser finish:** Sandblasted



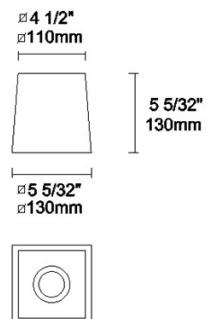
IP20 RF  
850°C

PAN-178-14



Shade, white, 130x130x110mm

**Structure material:** Steel  
**Diffuser material:** Fabric shade  
**Diffuser finish:** White



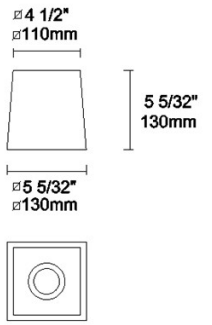
IP20 650°C

PAN-178-BY



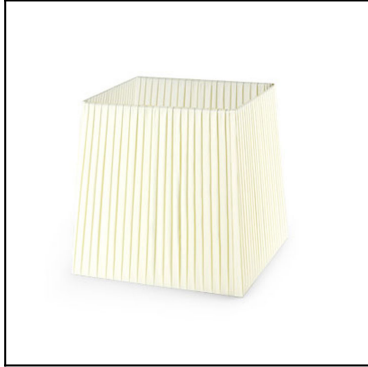
Shade, beige fabric, 130x130x110mm

**Structure material:** Steel  
**Diffuser material:** Fabric shade  
**Diffuser finish:** Sandblasted



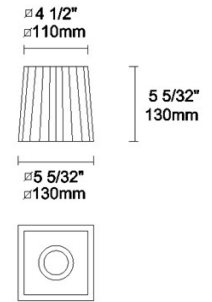
IP20 650°

PAN-186-20



Shade, beige, pleated, 130x130x110mm

**Structure material:** Steel  
**Diffuser material:** Ribbed shade  
**Diffuser finish:** Beige



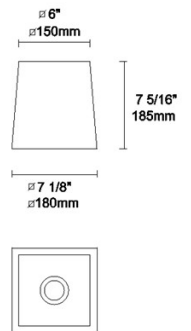
IP20 RF  
850°c

PAN-179-14



Shade, white, 180x186x150mm

**Structure material:** Steel  
**Diffuser material:** Fabric shade  
**Diffuser finish:** White



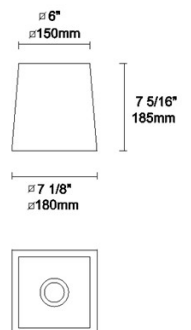
IP20 RF  
850°c

PAN-179-BY



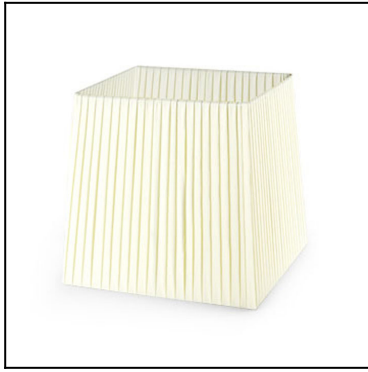
Shade, beige fabric, 180x186x150mm

**Structure material:** Steel  
**Diffuser material:** Fabric shade  
**Diffuser finish:** Sandblasted



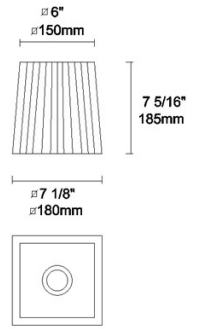
IP20 650°

**PAN-187-20**



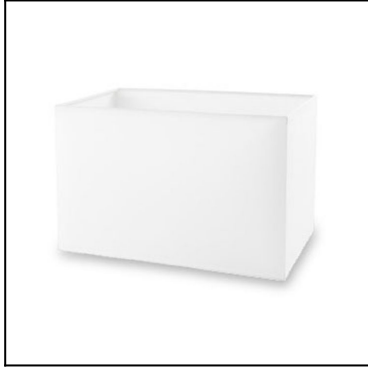
Shade, beige, pleated, 180x186x150mm

**Structure material:** Steel  
**Diffuser material:** Ribbed shade  
**Diffuser finish:** Beige



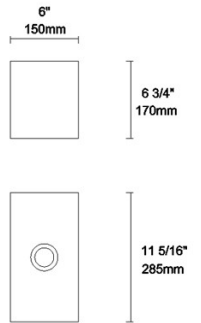
IP20 RF  
850°C

**PAN-176-14**



Shade, white, 182x170x150mm

**Structure material:** Steel  
**Diffuser material:** Fabric shade  
**Diffuser finish:** White



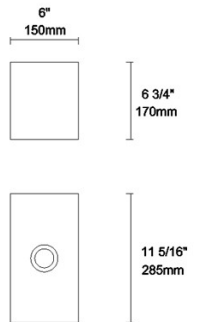
RF  
850°C

**PAN-176-BY**



Shade, beige fabric, 182x170x150mm

**Structure material:** Steel  
**Diffuser material:** Fabric shade  
**Diffuser finish:** Sandblasted



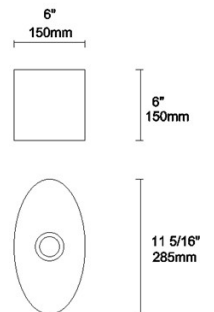
RF  
850°C

**PAN-177-14**



Shade, oval shape, white, 285x150x150mm

**Structure material:** Steel  
**Diffuser material:** Fabric shade  
**Diffuser finish:** White

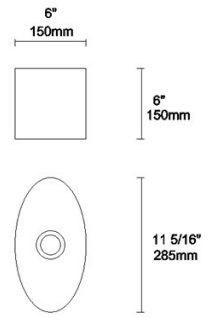


PAN-177-BY



Shade, oval shape, beige fabric, 285x150x150mm

**Structure material:** Steel  
**Diffuser material:** Fabric shade  
**Diffuser finish:** Sandblasted



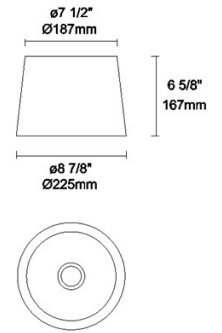
RF  
850°C

PAN-194-AJ



Shade, grey, Ø220mm

**Diffuser material:** Fabric shade  
**Diffuser finish:** Opera grey



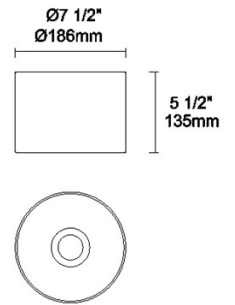
IP20

PAN-198-V7



Shade, old copper, Ø186mm

**Structure material:** Steel  
**Diffuser material:** PVC  
**Diffuser finish:** Antique copper



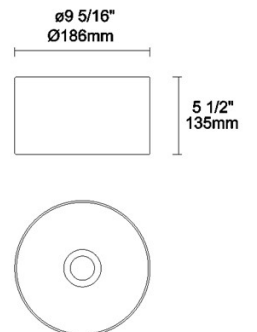
IP20  
RF  
850°C

PAN-199-V7



Shade, old copper, Ø235mm

**Structure material:** Steel  
**Diffuser material:** PVC  
**Diffuser finish:** Antique copper



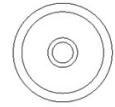
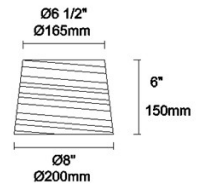
IP20  
RF  
850°C

PAN-219-14



Shade, white, horizontal wrapping, Ø200mm

**Structure material:** Steel  
**Structure finish:** White  
**Diffuser material:** Ribboned shade  
PVC  
**Diffuser finish:** White



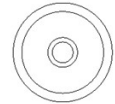
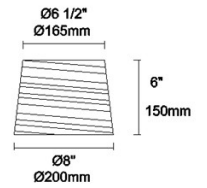
IP20 RF  
850°C

PAN-219-05

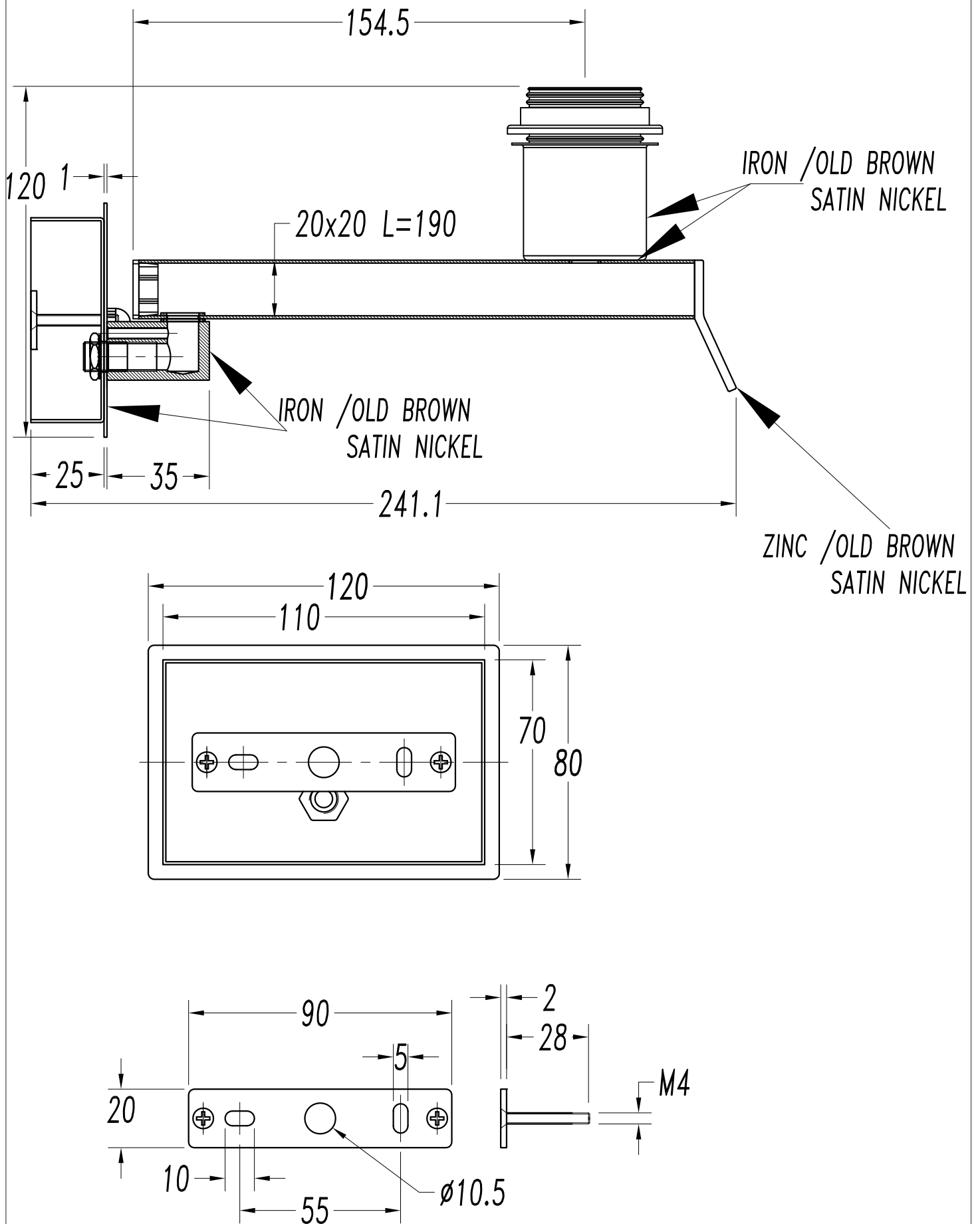


Shade, black horizontal wrapping, Ø200mm

**Structure material:** Steel  
**Structure finish:** White  
**Diffuser material:** Ribboned shade  
PVC  
**Diffuser finish:** Black

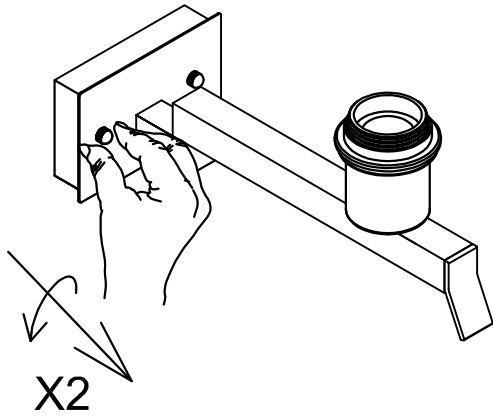


IP20 RF  
850°C

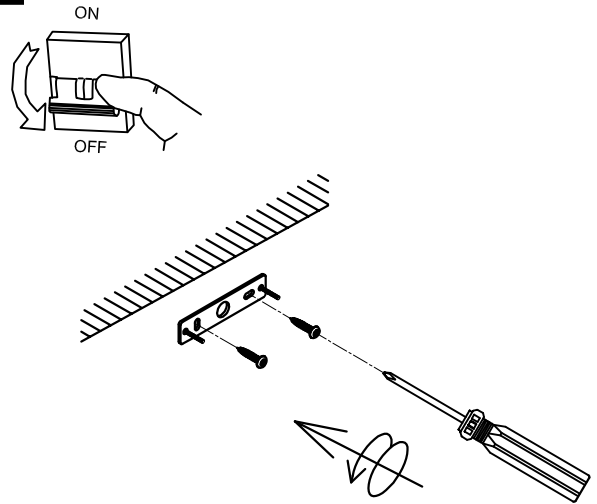




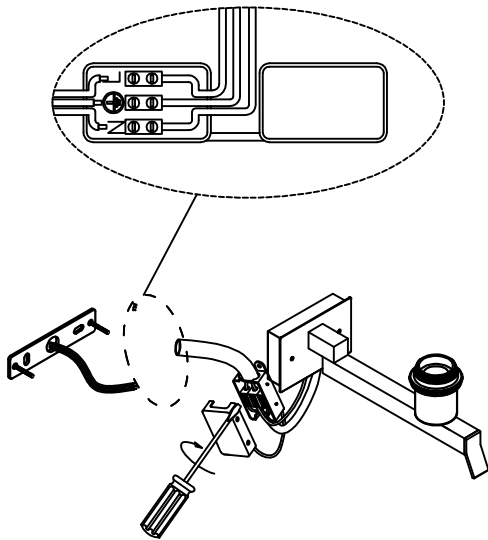
1



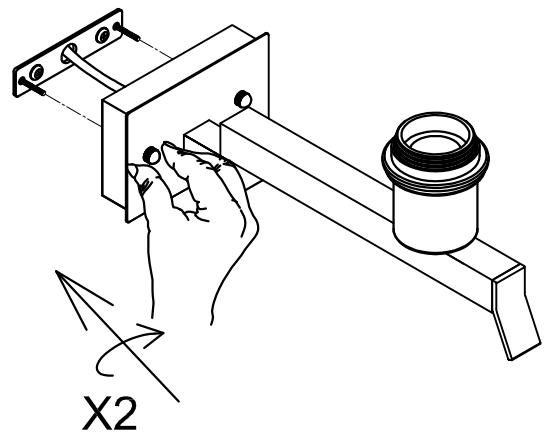
2



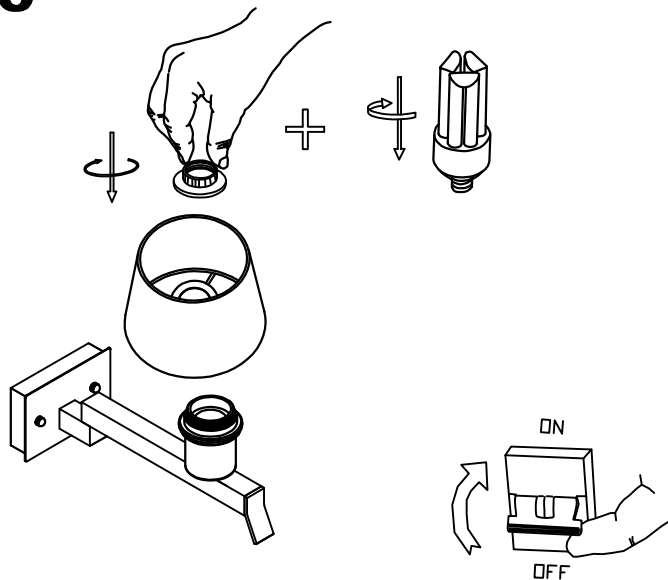
3



4



5



6

