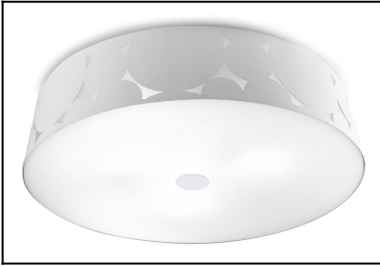
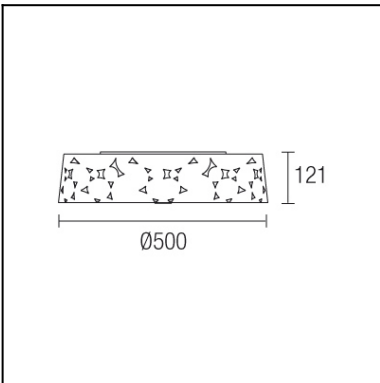


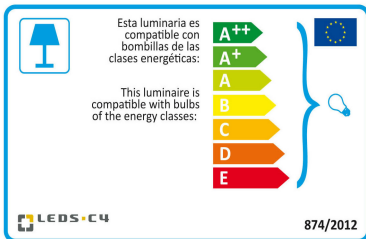
Design by Estudi Ribaudí



The photograph may not match the reference exactly. Please read the product description to identify the finish.



Download photometric file .ldt /.ies



Click on image to download energy label

TECHNICAL CHARACTERISTICS

Type:	Ceiling fixture
IP Protection degrees:	IP23
Light source 1:	3 x E27 23W Maximum lamp length: 180.00 mm Maximum lamp diameter: 50.00 mm
Total power consumption (W):	69
Voltage / Frequency:	220-240V/50-60Hz
Warranty (Years):	2
Units per box:	1
Net Weight (Kg):	3.29
EAN:	8435111084533



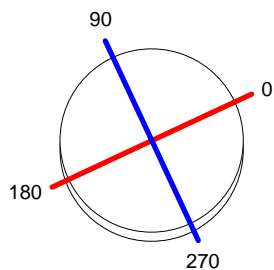
MATERIALS / FINISHES

Structure material:	Steel	Diffuser material:	Acrylic
Structure finish:	White	Diffuser finish:	White Opal

Luminaire		Measur.		Lamp	
Code	15-4426	Code	15-4426	Code	STANDARD E-27 23W
Name	APLIQUE 3x23W	Name	APLIQUE 3x23W	Number	3
Line	Eulumdat	Date	21-10-2013	Position	
Efficiency	51.82%	Coordinate system	CG	Total Flux	4800.00 lm
Maximum value	568.73 cd	Position	C=90.00 G=10.00	Double Symmetrical	
Round Luminaire	Diam.	495 mm	Height	245 mm	
Round Luminous Area	Diam.	495 mm	Height	245 mm	
Horizontal Luminous Area	0.192442 m2	Emitting area on Plane 180°	0.121275 m2		
Emitting area on Plane 0°	0.121275 m2	Emitting area on Plane 270°	0.121275 m2		
Emitting area on Plane 90°	0.121275 m2	Glare area at 76°	0.164229 m2		
Symmetry Type	Double Symmetrical	Maximum Gamma Angle	180		
Measurement Distance	0.00	Measurement Flux	4800.00 lm		
Operator	Asselum T2	Source voltage			
Temperature	25.00 °C	Source current			
Humidity	60.00 %	Photocell			
Notes					

Luminaire Lamps						
Line	Code	Name	Flux [lm]	Pow. [W]	Q.ty	
Eulumdat	STANDARD E-27 23W	STANDARD E-27 23W - 23.00 W	1600.00	23.00	3	
C.I.E.	47 85 98 74 52	D DIN 5040	B31			
F UTE	0.39 F + 0.13 T	B NBN	BZ 5 / 0.8 / BZ 4			

Diam=495mm



C Halfplanes

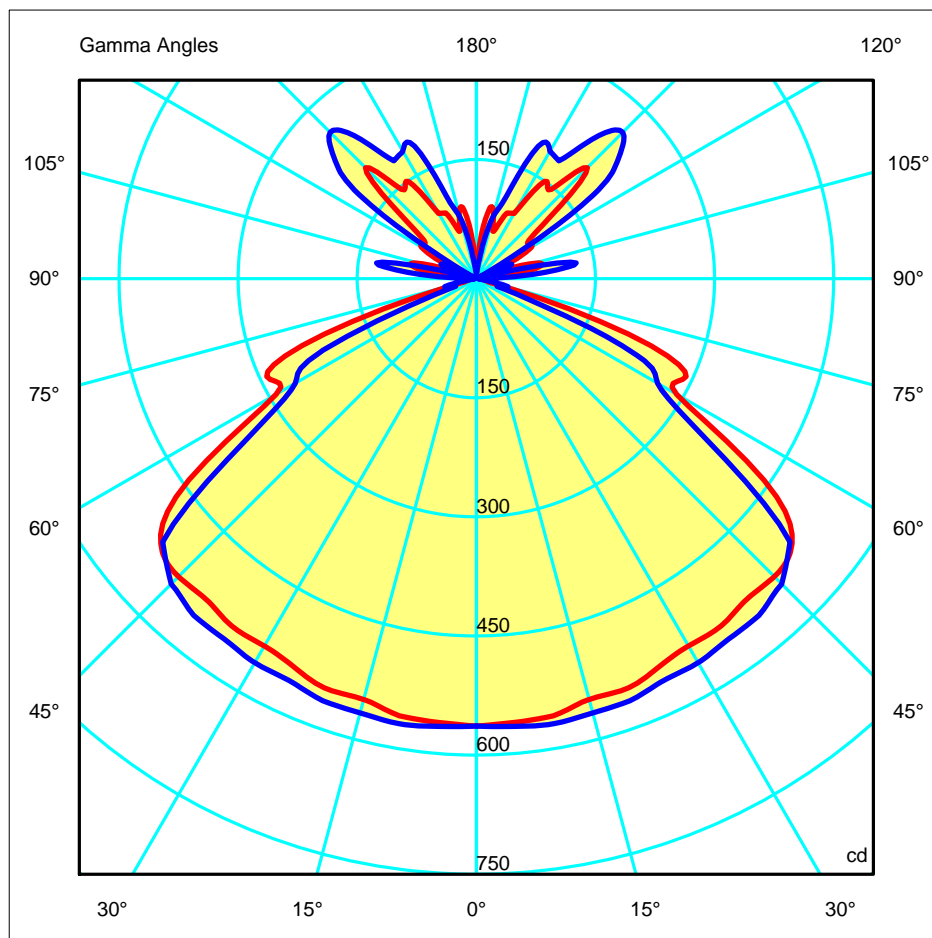
180.0 — 0.0 (Red line)

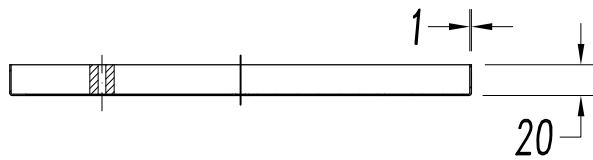
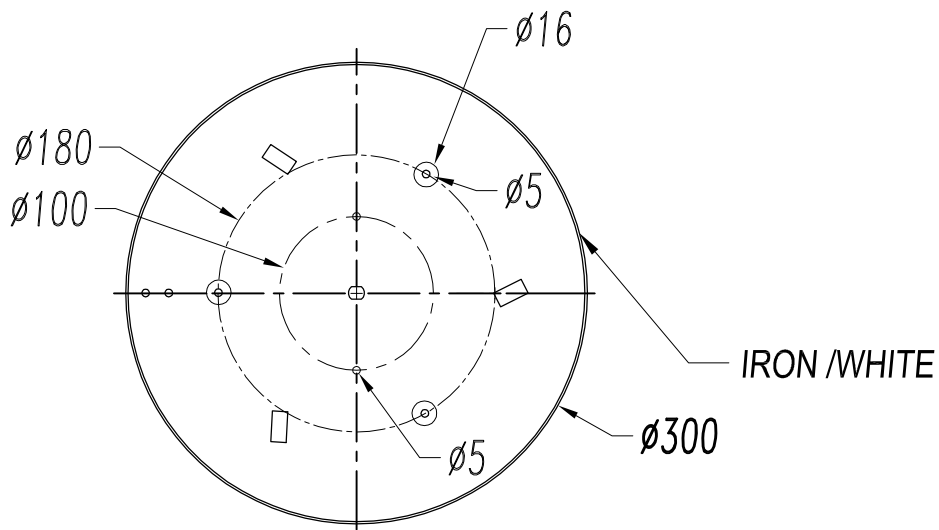
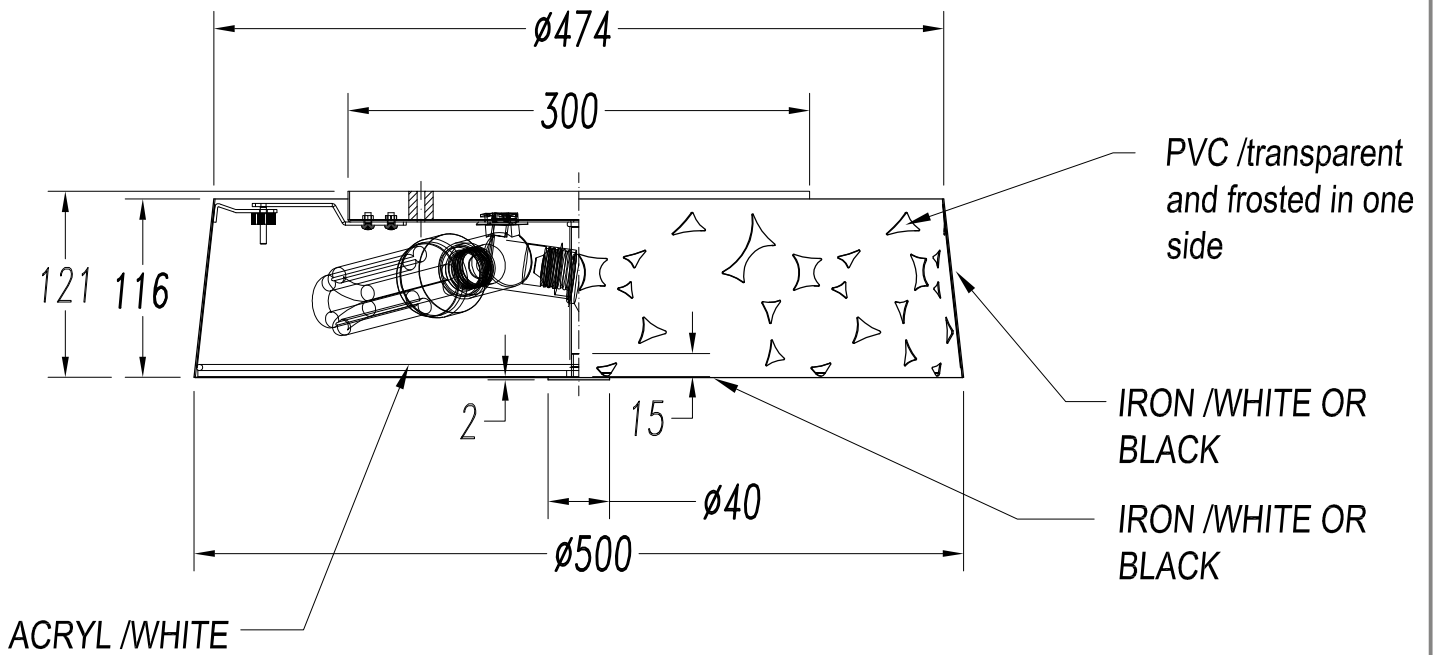
270.0 — 90.0 (Blue line)

ULOR 13.31 %

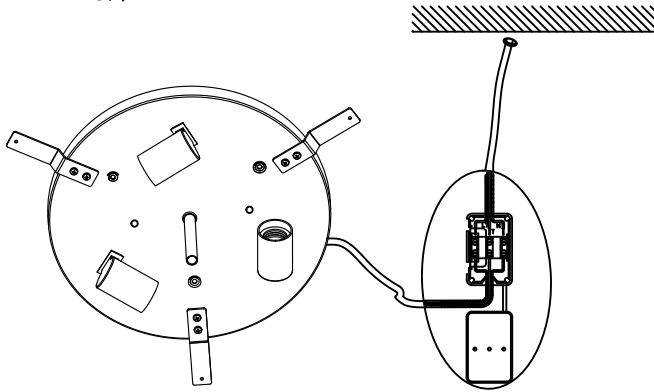
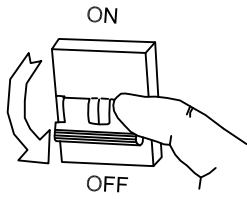
DLOR 38.51 %

RN 25.69 %

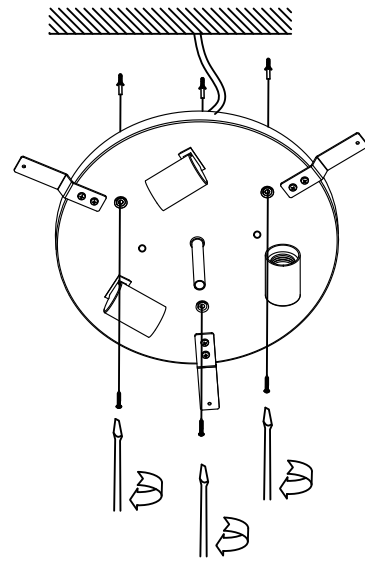




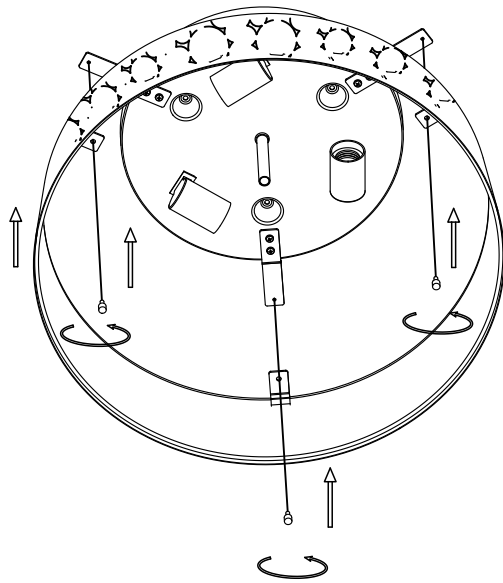
1



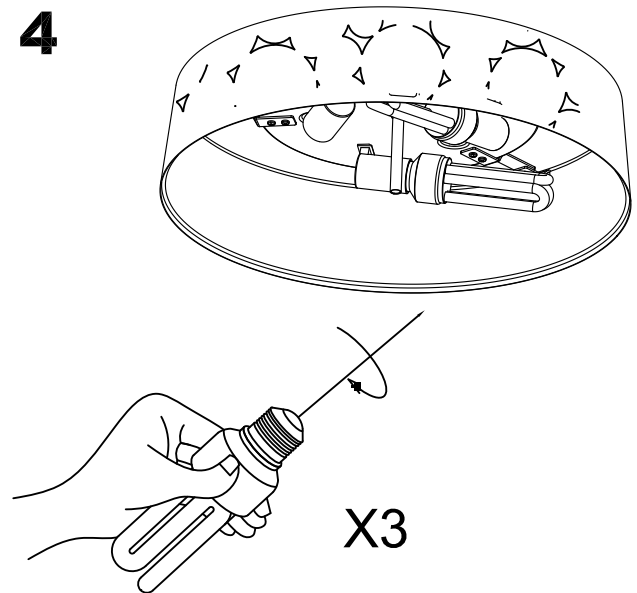
2



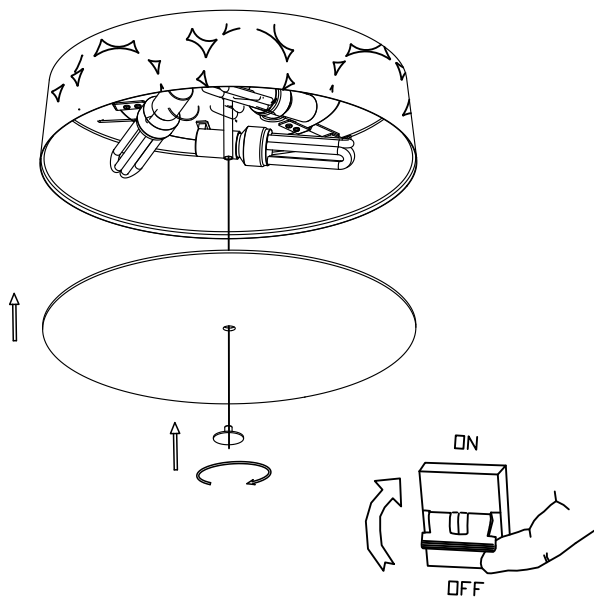
3



4



5



6

