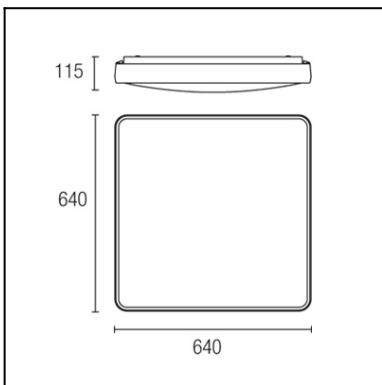


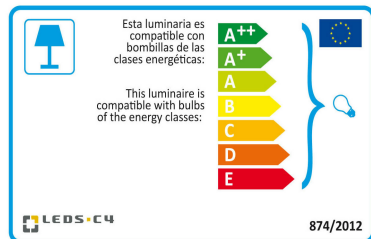
Design by Nahtrang Design



The photograph may not match the reference exactly. Please read the product description to identify the finish.



[Download photometric file .ldt / .ies](#)



[Click on image to download energy label](#)

TECHNICAL CHARACTERISTICS

Type:	Ceiling fixture
IP Protection degrees:	IP23
Light source 1:	3 x 2G11 55W
Voltage / Frequency:	220-240V/50-60Hz
Warranty (Years):	2
Units per box:	1
Net Weight (Kg):	6.4
EAN:	8435111086445



MATERIALS / FINISHES

Structure material:	Aluminium	Diffuser material:	Acrylic
Structure finish:	Matt white	Diffuser finish:	Satin

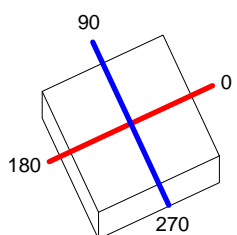
GEAR

Gear included: Yes, electronic

Luminaire		Measur.		Lamp		
Code	15-4688-14-M1	Code	15-4688-14-M1	Code	PL-L55W/840/4P	
Name	Plafón 3x55W TC-L difusor opal	Name	Plafón 3x55W TC-L difusor opal	Number	3	
Line	Eulumdat	Date	05-04-2012	Position		
Efficiency	41.65%	Coordinate system	CG	Total Flux	14400.00 lm	
Maximum value	2074.03 cd	Position	C=0.00 G=0.00	Double Symmetrical		
Rectangular Luminaire	Length	640 mm	Width	640 mm	Height	120 mm
Rectangular Luminous Area	Length	610 mm	Width	610 mm	Height	0 mm
Horizontal Luminous Area	0.372100 m2	Emitting area on Plane 180°		0.000000 m2		
Emitting area on Plane 0°	0.000000 m2	Emitting area on Plane 270°		0.000000 m2		
Emitting area on Plane 90°	0.000000 m2	Glare area at 76°		0.090019 m2		
Symmetry Type	Double Symmetrical	Maximum Gamma Angle	90			
Measurement Distance	0.00	Measurement Flux	14400.00 lm			
Operator	Asselum T2	Source voltage				
Temperature	25.00 °C	Source current				
Humidity	60.00 %	Photocell				
Notes						

Luminaire Lamps					
Line	Code	Name	Flux [lm]	Pow. [W]	Q.ty
Eulumdat	PL-L55W/840/4P	PL-L55W/840/4P - 55.00 W	4800.00	55.00	3
C.I.E.	46 77 94 100 42	D DIN 5040	A30		
F UTE	0.42 E	B NBN	BZ 5		

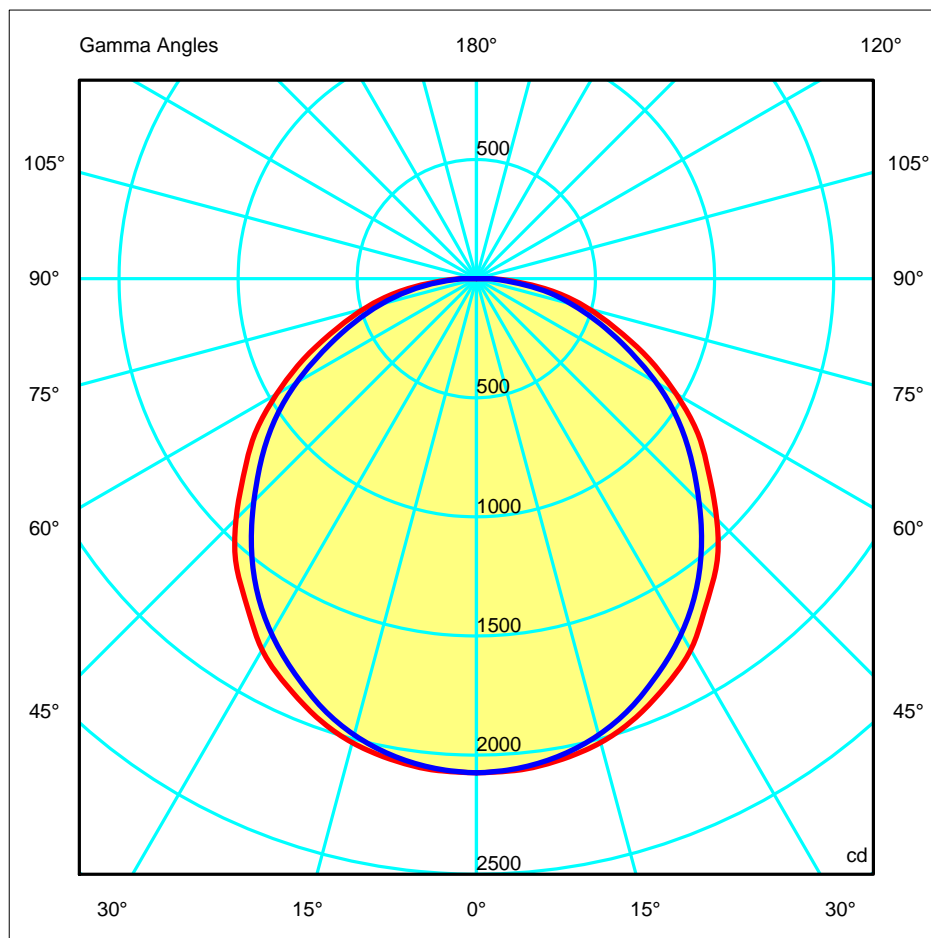
640mm x 640mm

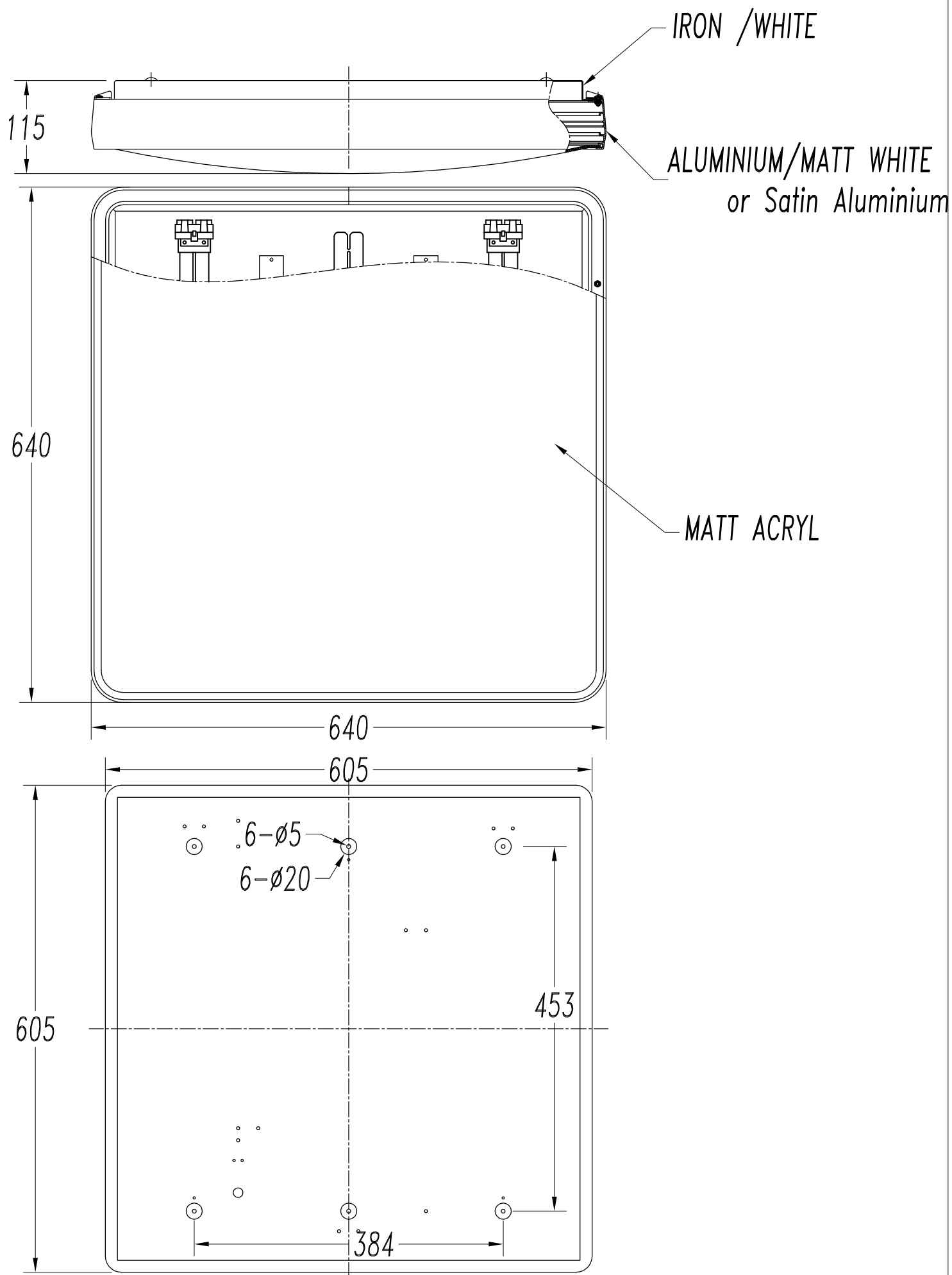


C Halfplanes

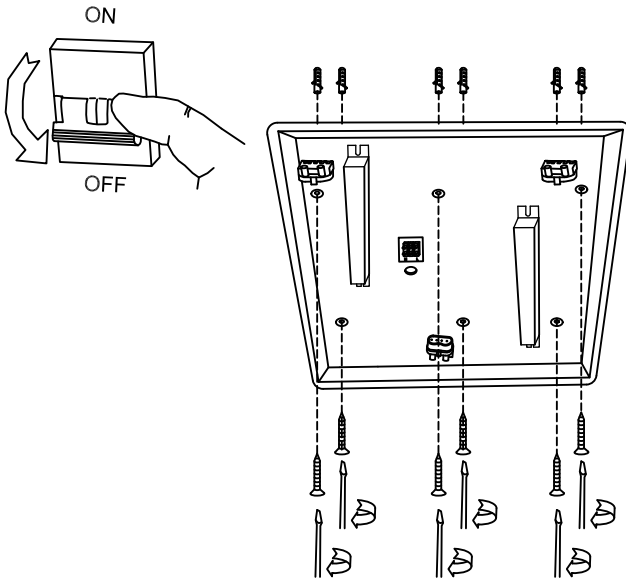
180.0 — 0.0
270.0 — 90.0

ULOR 0.00 %
DLOR 41.65 %
RN 0.00 %

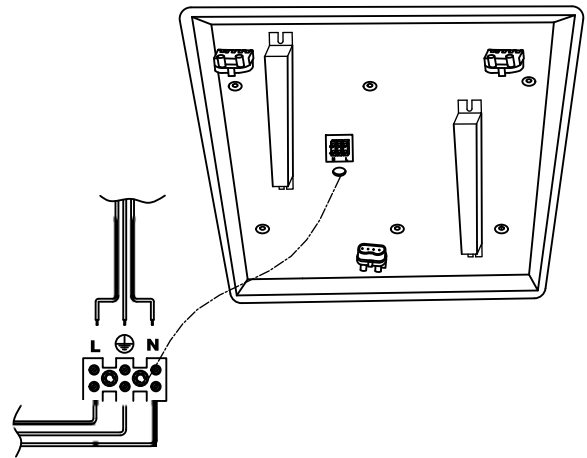




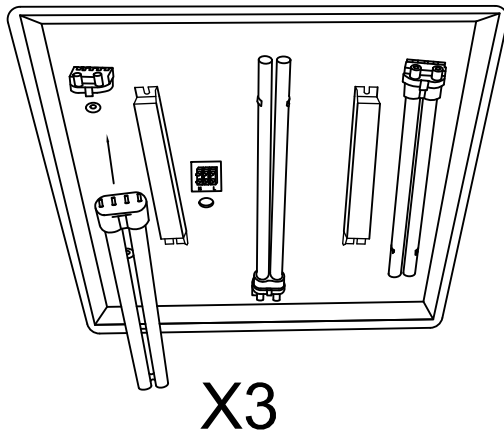
1



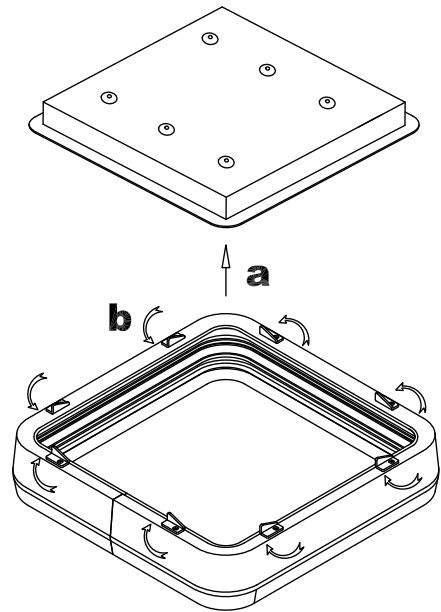
2



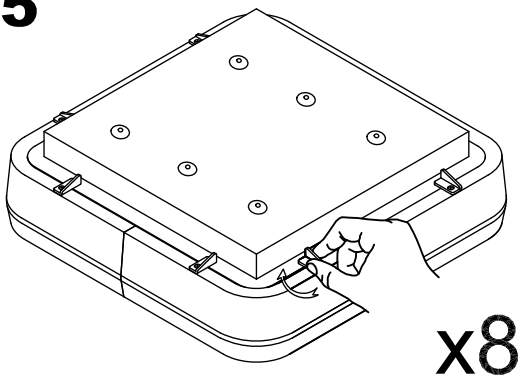
3



4



5



6

