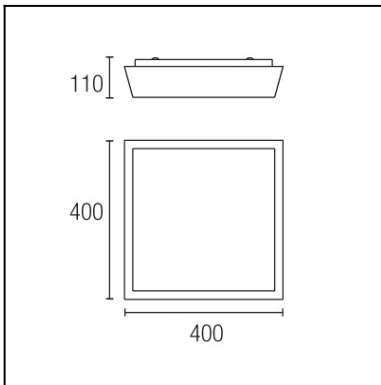
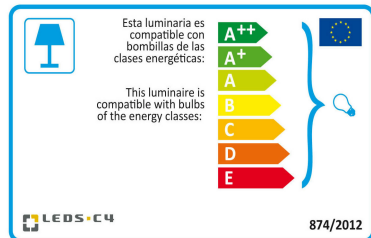




The photograph may not match the reference exactly. Please read the product description to identify the finish.



[Download photometric file .ldt / .ies](#)



[Click on image to download energy label](#)

TECHNICAL CHARACTERISTICS

Type:	Ceiling fixture
IP Protection degrees:	IP23
Light source 1:	3 x E27 18W Maximum lamp length: 200.00 mm Maximum lamp diameter: 60.00 mm
Total power consumption (W):	54
Voltage / Frequency:	220-240V/50-60Hz
Warranty (Years):	2
Units per box:	2
Net Weight (Kg):	4.39
EAN:	8435111087039



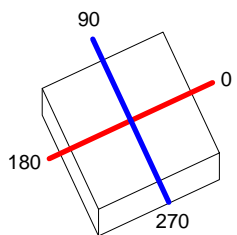
MATERIALS / FINISHES

Structure material:	Satin aluminium	Diffuser material:	Glass
Structure finish:	Polished	Diffuser finish:	Satin

Luminaire		Measur.		Lamp		
Code	15-4690-14-B4	Code	15-4690-14-B4	Code	PL ELEC11W/865 E27	
Name	Plafón 3x11W PL Elec, E27 opal	Name	Plafón 3x11W PL Elec, E27 opal	Number	3	
Line	Eulumdat	Date	14-03-2012	Position		
Efficiency	46.60%	Coordinate system	CG	Total Flux	1725.00 lm	
Maximum value	300.61 cd	Position	C=0.00 G=0.00	Double Symmetrical		
Rectangular Luminaire	Length	440 mm	Width	440 mm	Height	110 mm
Rectangular Luminous Area	Length	365 mm	Width	365 mm	Height	0 mm
Horizontal Luminous Area	0.133225 m2	Emitting area on Plane 180°		0.000000 m2		
Emitting area on Plane 0°	0.000000 m2	Emitting area on Plane 270°		0.000000 m2		
Emitting area on Plane 90°	0.000000 m2	Glare area at 76°		0.032230 m2		
Symmetry Type	Double Symmetrical	Maximum Gamma Angle	90			
Measurement Distance	0.00	Measurement Flux	1725.00 lm			
Operator	Asselum T2	Source voltage				
Temperature	25.00 °C	Source current				
Humidity	60.00 %	Photocell				
Notes						

Luminaire Lamps						
Line	Code	Name	Flux [lm]	Pow. [W]	Q.ty	
Eulumdat	PL ELEC11W/865 E27	PL ELEC11W/865 E27 - 11.00 W	575.00	11.00	3	
C.I.E.	49 80 96 100 47	D DIN 5040	A30			
F UTE	0.47 E	B NBN	BZ 4			

440mm x 440mm



C Halfplanes

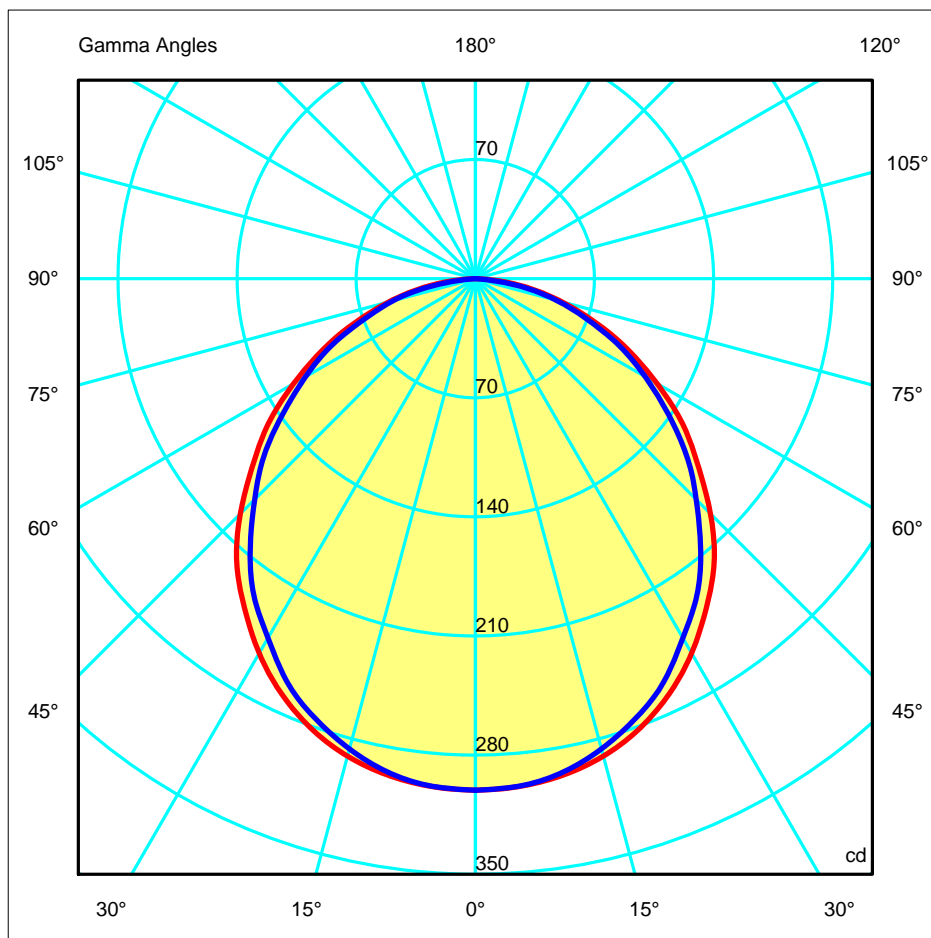
180.0 ——— 0.0

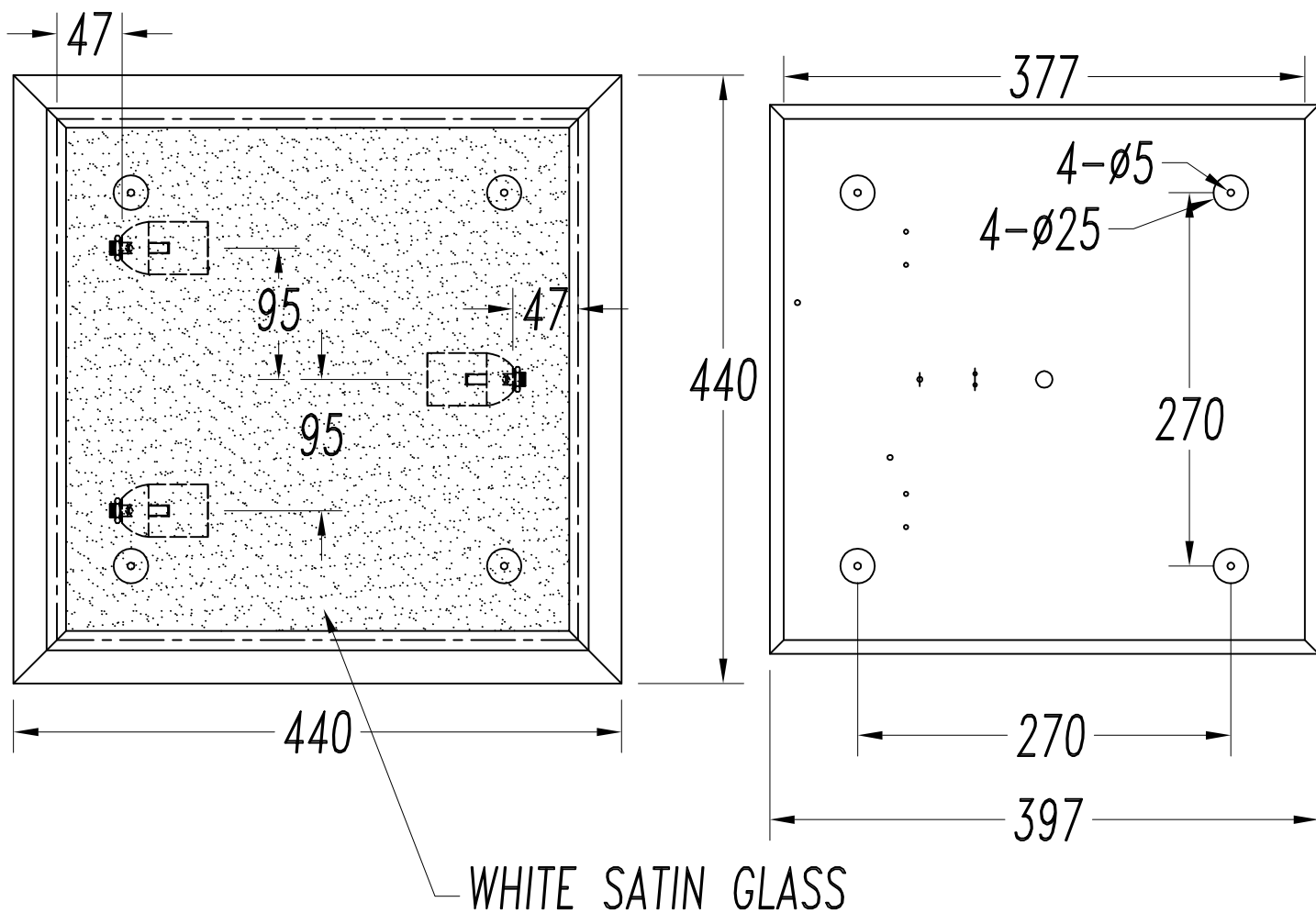
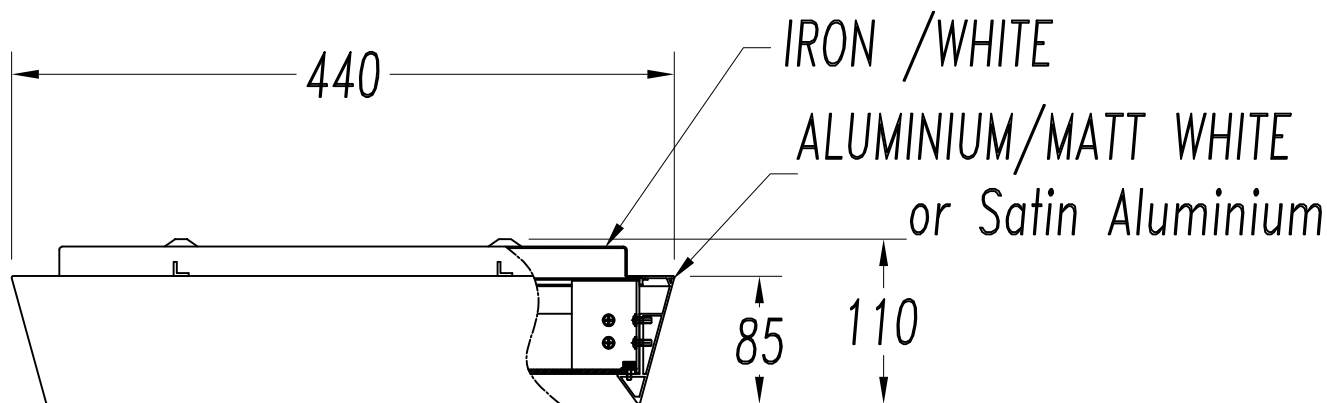
270.0 ——— 90.0

ULOR 0.00 %

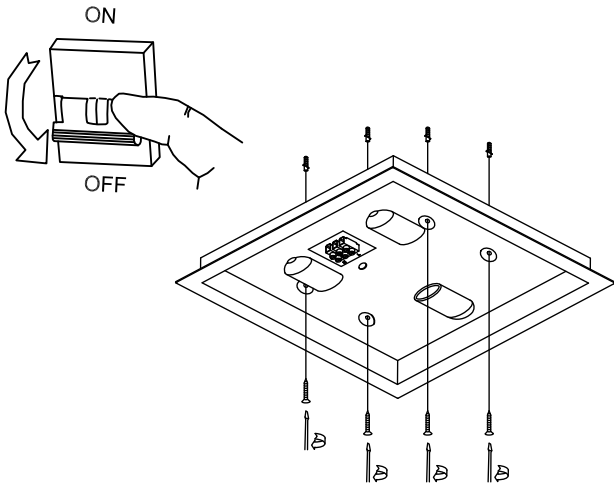
DLOR 46.60 %

RN 0.00 %

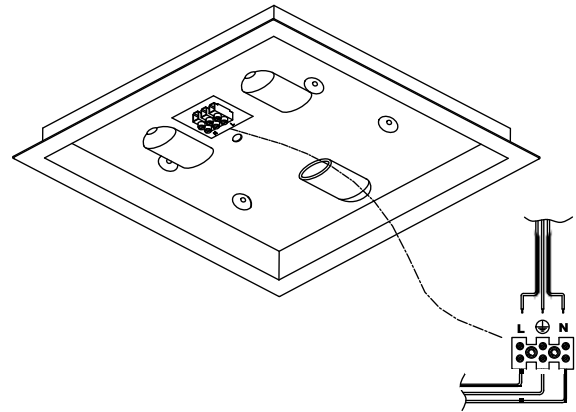




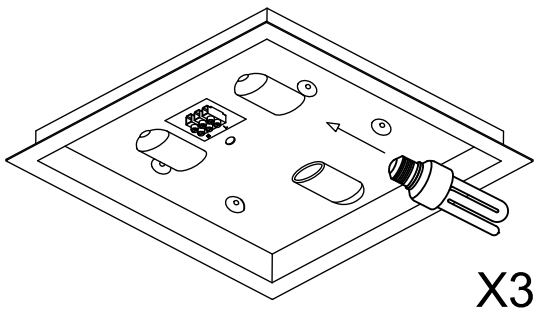
1



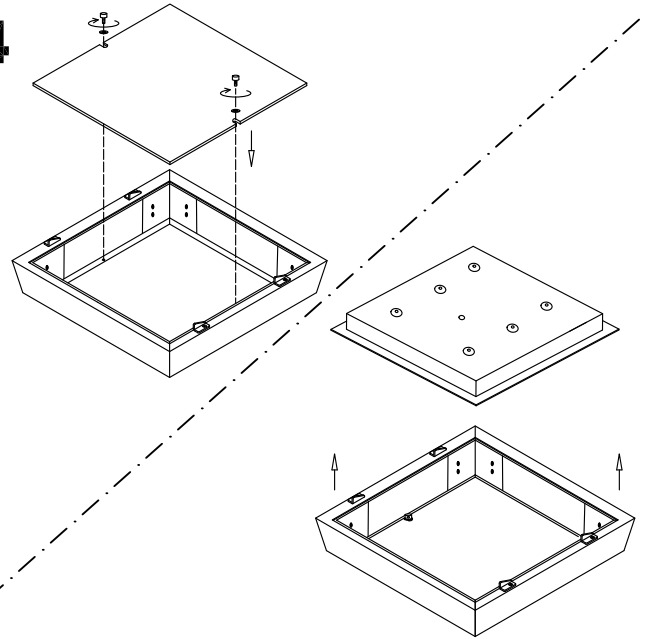
2



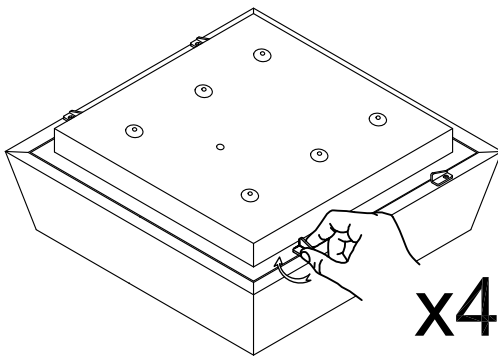
3



4



5



6

