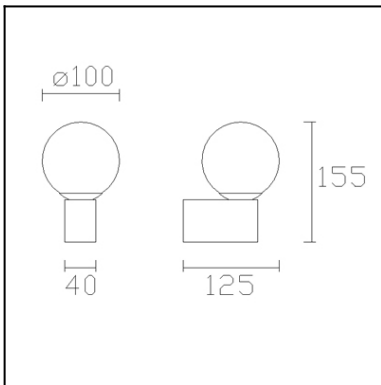
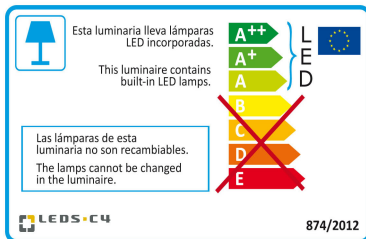




The photograph may not match the reference exactly. Please read the product description to identify the finish.



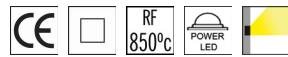
[Download photometric file .ldt / .ies](#)



[Click on image to download energy label](#)

TECHNICAL CHARACTERISTICS

Type:	Wall fixture
IP Protection degrees:	IP44
Light source 1:	2 x LED Cree 4W Warm White - 3000K 324 lm ^(N) CRI 80
Voltage / Frequency:	100-240V/50-60Hz
Warranty (Years):	2
Option to extend the guarantee (Years):	5
Units per box:	8
Net Weight (Kg):	0.555
EAN:	8435111097519



MATERIALS / FINISHES

Structure material:	Zamak Steel	Diffuser material:	Tempered glass
Structure finish:	Chrome	Diffuser finish:	Opal white

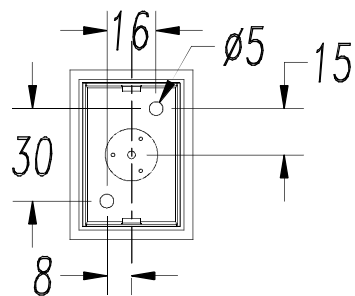
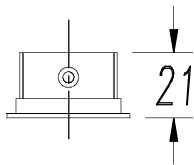
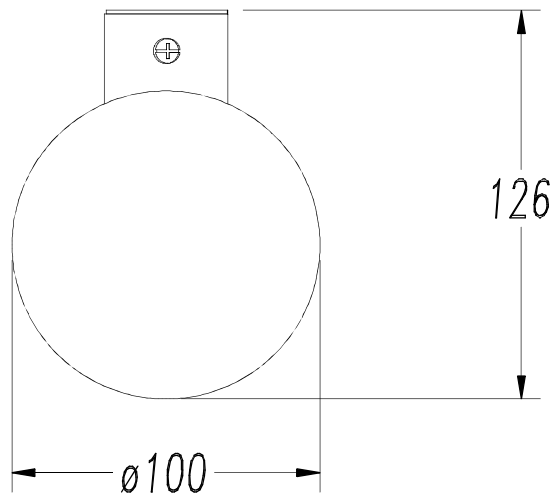
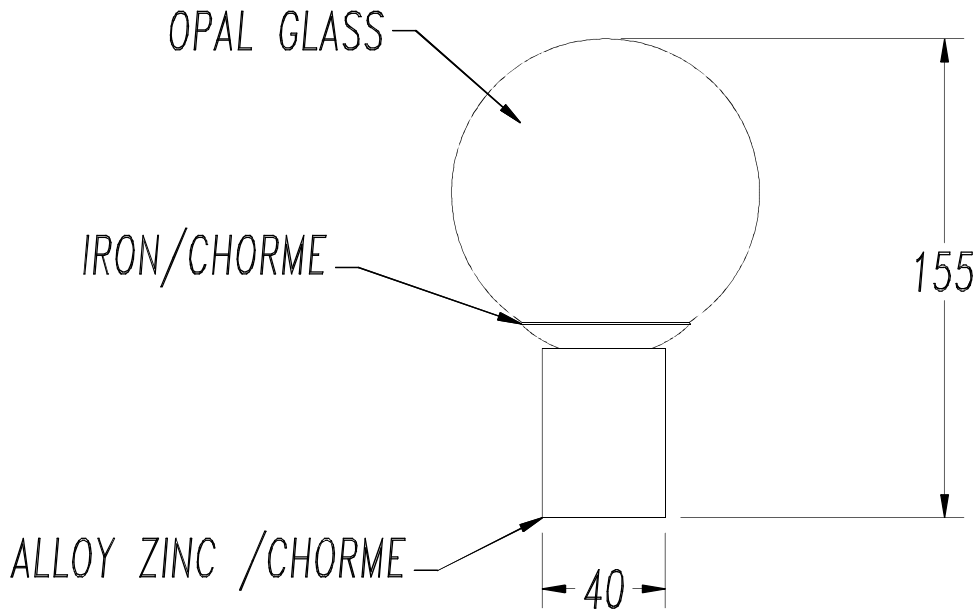
GEAR

Multi-voltage electronic gear included (110-240 V / 50-60 Hz)

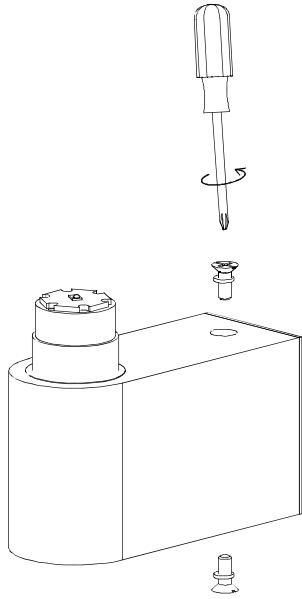
Lm^(N): Nominal flow of light in actual working conditions. Its actual flow will depend on the environmental conditions and the efficiency of the optics and/or diffuser.

LEDS-C4 reserves the right to make the necessary technical changes they deem adequate, in order to improve the features of the product.

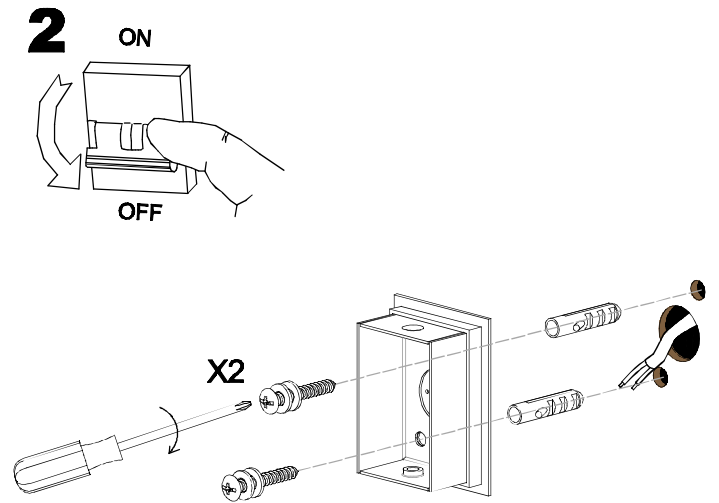
Please consult the sales team to clarify any doubt.



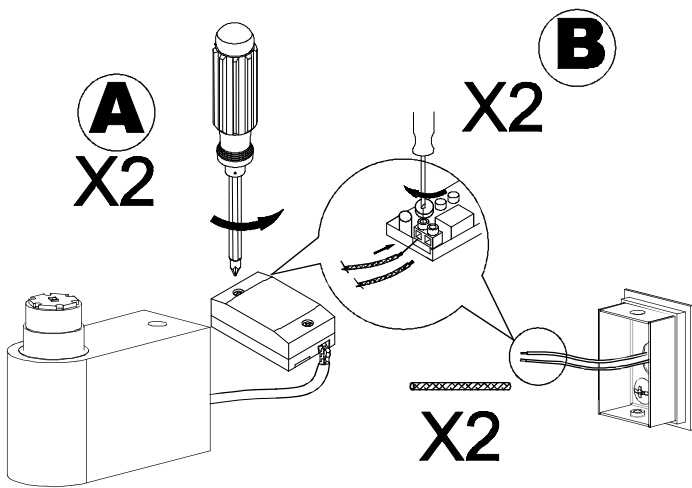
1



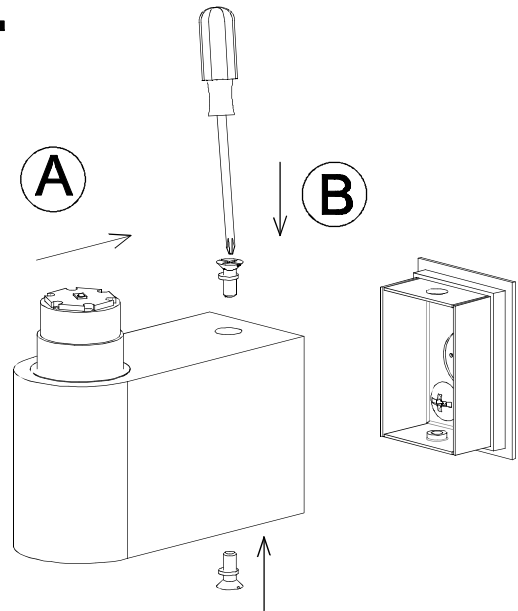
2



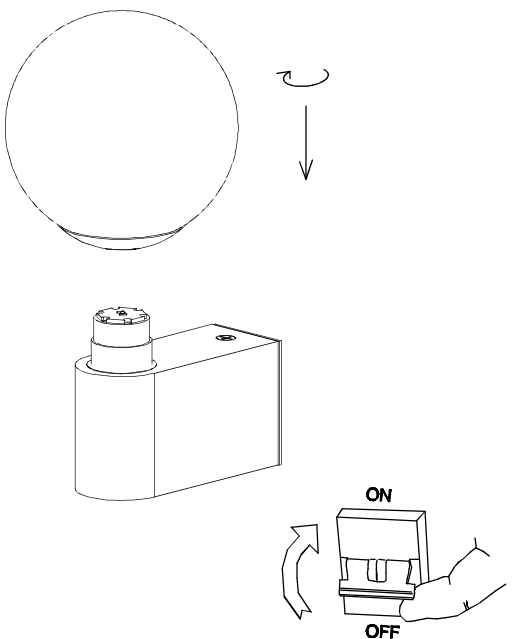
3



4



5



6

