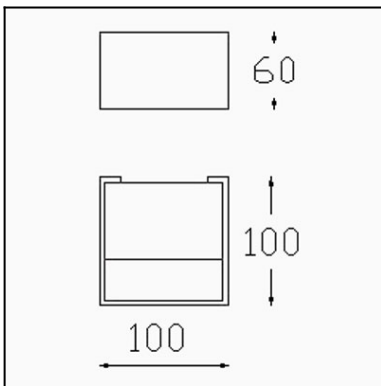




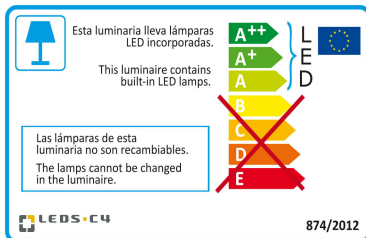
The photograph may not match the reference exactly. Please read the product description to identify the finish.


TECHNICAL CHARACTERISTICS

Type:	Wall fixture
IP Protection degrees:	IP20
Light source 1:	1 x LED Cree 3W Warm White - 3000K 182 lm ^(N) CRI 80
Total power consumption (W):	4.3
Voltage / Frequency:	100-240V/50-60Hz
Warranty (Years):	2
Option to extend the guarantee (Years):	5
Units per box:	20
Net Weight (Kg):	0.43
EAN:	8435111090589



[Download photometric file .ldt / .ies](#)



Click on image to download energy label

MATERIALS / FINISHES

Structure material: Aluminium
Structure finish: Matt white

GEAR

Multi-voltage electronic gear included (110-240 V / 50-60 Hz)

Lm^(N): Nominal flow of light in actual working conditions. Its actual flow will depend on the environmental conditions and the efficiency of the optics and/or diffuser.

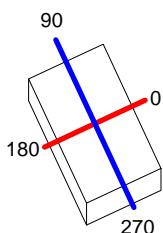
LEDS-C4 reserves the right to make the necessary technical changes they deem adequate, in order to improve the features of the product.

Please consult the sales team to clarify any doubt.

Luminaire		Measur.		Lamp		
Code	05-0071-14-14	Code	05-0071-14-14	Code	05-0071-14-14	
Name	Aplique led 1x3W	Name	Aplique led 1x3W	Number	1	
Line	Eulumdat	Date	15-01-2013	Position		
Efficiency	100.00%	Coordinate system	CG	Total Flux	109.40 lm	
Maximum value	48.52 cd	Position	C=90.00 G=65.00	Asymmetrical		
Rectangular Luminaire	Length	100 mm	Width	60 mm	Height	100 mm
Rectangular Luminous Area	Length	93 mm	Width	60 mm	Height	93 mm
Horizontal Luminous Area	0.005580 m2	Emitting area on Plane 180°		0.008649 m2		
Emitting area on Plane 0°	0.008649 m2	Emitting area on Plane 270°		0.005580 m2		
Emitting area on Plane 90°	0.005580 m2	Glare area at 76°		0.009742 m2		
Symmetry Type	Asymmetrical	Maximum Gamma Angle		180		
Measurement Distance	0.00	Measurement Flux		109.40 lm		
Operator	Asselum T2	Source voltage				
Temperature	25.00 °C	Source current				
Humidity	60.00 %	Photocell				
Notes						

Luminaire Lamps					
Line	Code	Name	Flux [lm]	Pow. [W]	Q.ty
Eulumdat	05-0071-14-14	05-0071-14-14 - 3.00 W	109.40	3.00	1
C.I.E.	29 70 96 50 100	D DIN 5040	C11		
F UTE	0.50 I + 0.50 T	B NBN	BZ 7 / 0.8 / BZ 6 / 2 / BZ 5		

100mm x 60mm



C Halfplanes

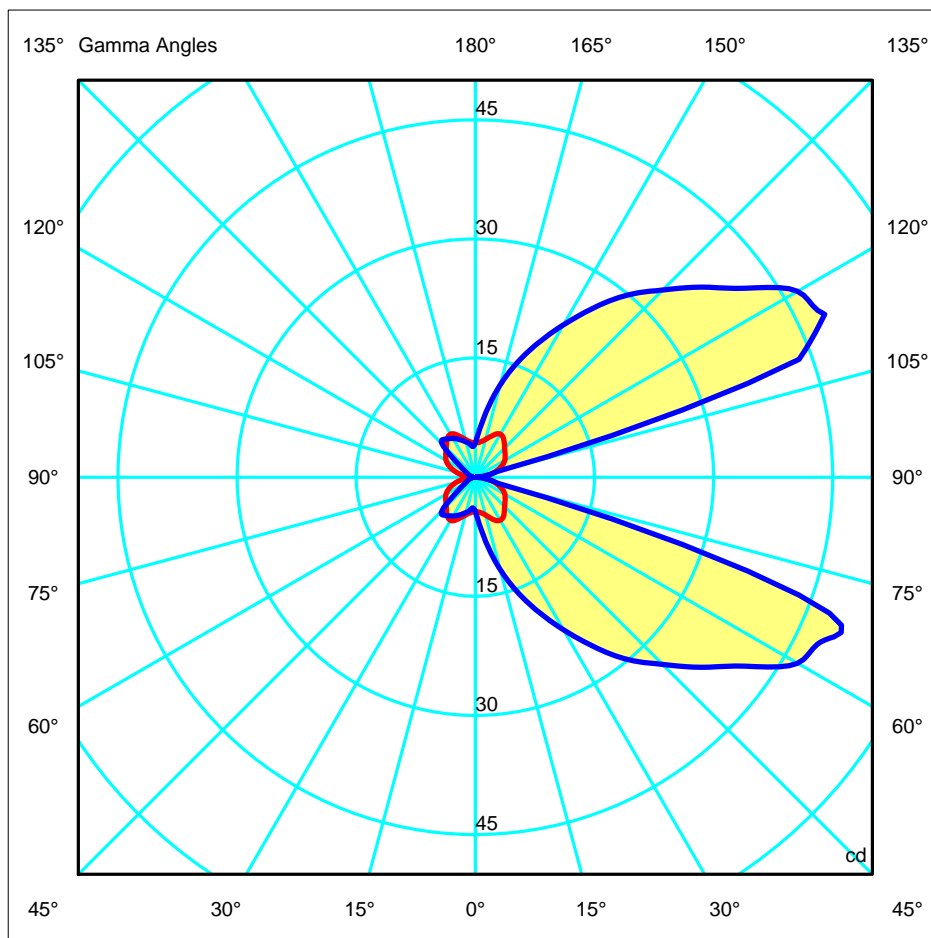
180.0 — 0.0

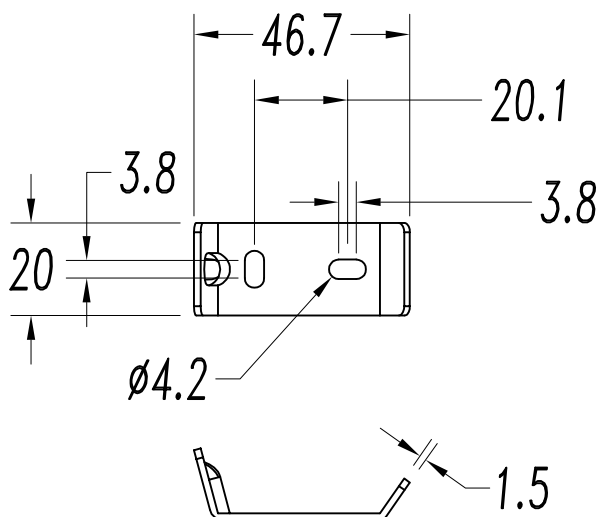
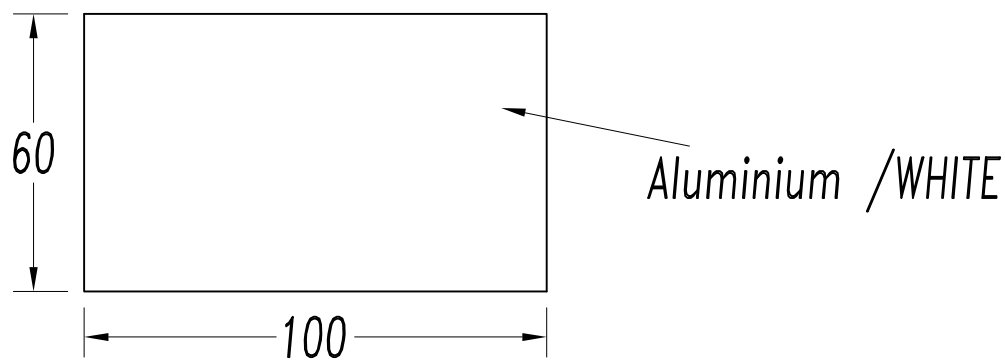
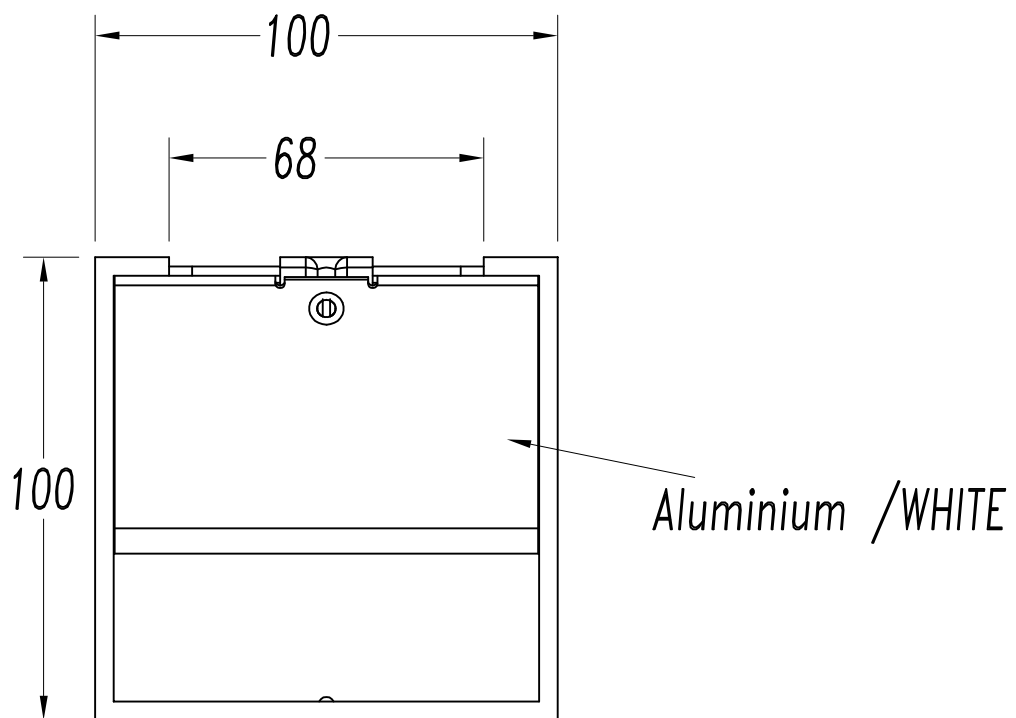
270.0 — 90.0

ULOR 50.00 %

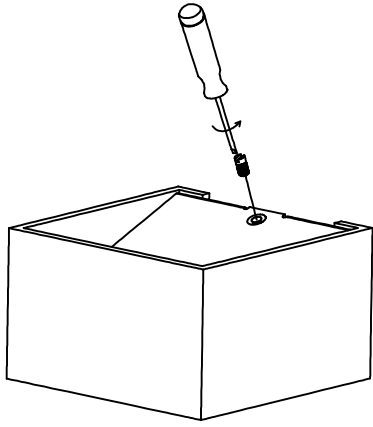
DLOR 50.00 %

RN 50.00 %

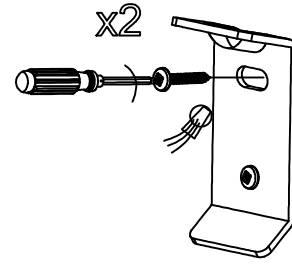
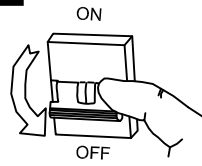




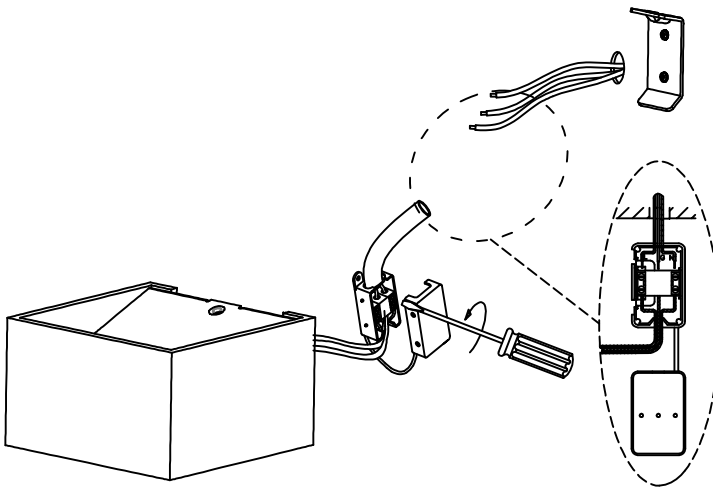
1



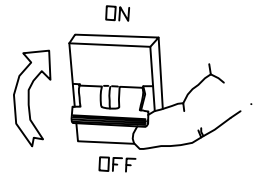
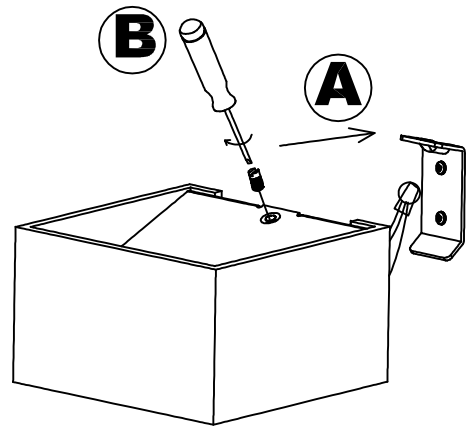
2



3



4



5

