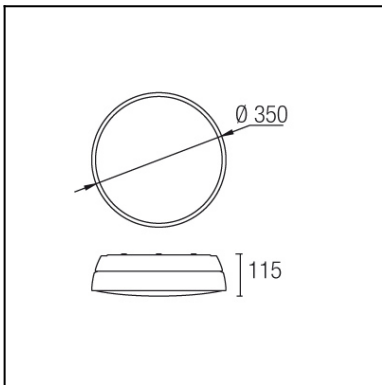
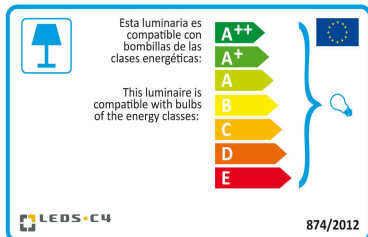


**Design by Nahtrang Design**


The photograph may not match the reference exactly. Please read the product description to identify the finish.



[Download photometric file .ldt / .ies](#)



[Click on image to download energy label](#)

**TECHNICAL CHARACTERISTICS**

Type:	Ceiling fixture
IP Protection degrees:	IP44
Light source 1:	2 x E27 40W Maximum lamp length: 160.00 mm Maximum lamp diameter: 60.00 mm
Total power consumption (W):	80
Voltage / Frequency:	220-240V/50-60Hz
Warranty (Years):	2
Units per box:	4
Net Weight (Kg):	2.33
EAN:	8435111080344

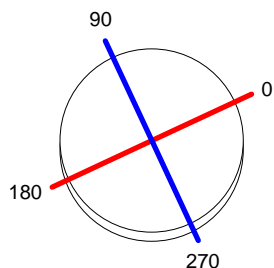

**MATERIALS / FINISHES**

<b>Structure material:</b>	Steel	<b>Diffuser material:</b>	Glass
<b>Structure finish:</b>	Chrome	<b>Diffuser finish:</b>	Matt opal

<b>Luminaire</b>		<b>Measur.</b>		<b>Lamp</b>	
Code	15-4370-21-F9	Code	15-4370-21-F9	Code	DLX EL LL 23W827E27
Name	Plafón 2x23W fluor E27 opal	Name	Plafón 2x23W fluor E27 opal	Number	2
Line	Eulumdat	Date	19-11-2010	Position	
Efficiency	34.49%	Coordinate system	CG	Total Flux	3000.00 lm
Maximum value	312.75 cd	Position	C=0.00 G=0.00	Double Symmetrical	
Round Luminaire	Diam.	350 mm	Height	120 mm	
Round Luminous Area	Diam.	350 mm	Height	65 mm	
Horizontal Luminous Area	0.096211 m2		Emitting area on Plane 180°	0.022750 m2	
Emitting area on Plane 0°	0.022750 m2		Emitting area on Plane 270°	0.022750 m2	
Emitting area on Plane 90°	0.022750 m2		Glare area at 76°	0.045350 m2	
Symmetry Type	Double Symmetrical		Maximum Gamma Angle	180	
Measurement Distance	0.00		Measurement Flux	3000.00 lm	
Operator	Asselum		Source voltage		
Temperature	25.00 °C		Source current		
Humidity	60.00 %		Photocell		
Notes					

Luminaire Lamps					
Line	Code	Name	Flux [lm]	Pow. [W]	Q.ty
Eulumdat	DLX EL LL 23W827E27	DLX EL LL 23W827E27 - 23.00 W	1500.00	23.00	2
C.I.E.	42 72 91 95 34	D DIN 5040	A31		
F UTE	0.33 G + 0.02 T	B NBN	BZ 5		

Diam=350mm



**C Halfplanes**

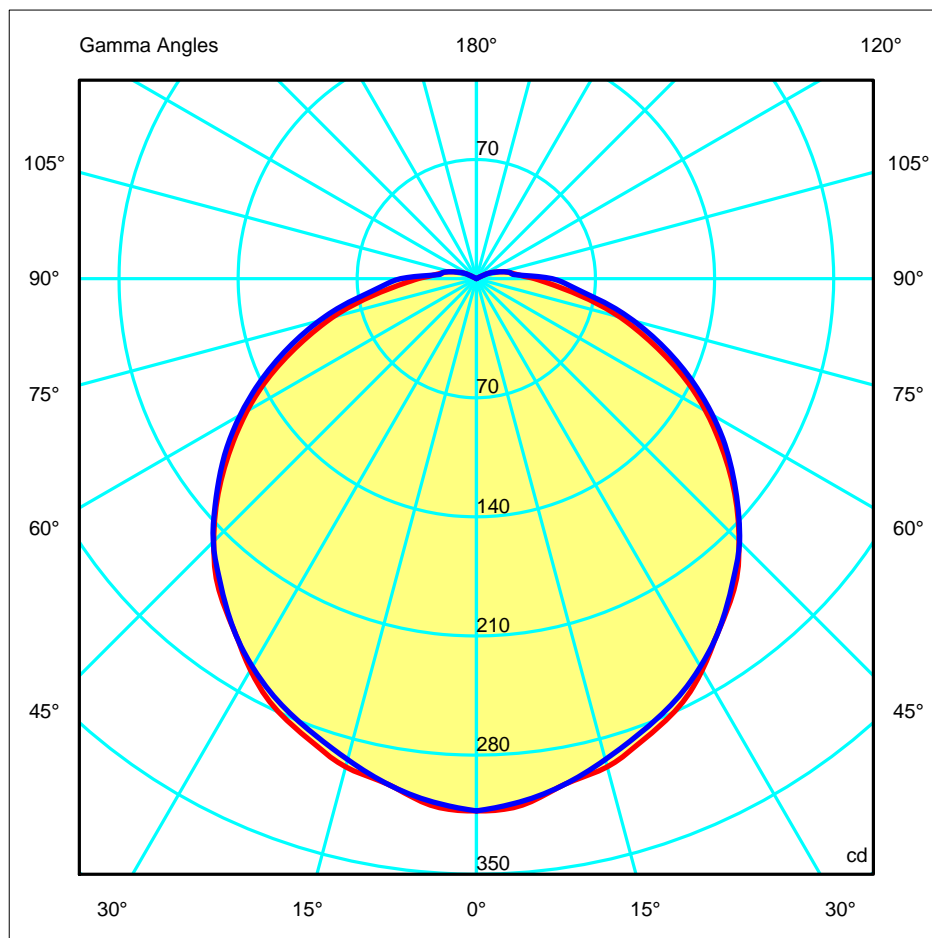
180.0 — 0.0 (Red line)

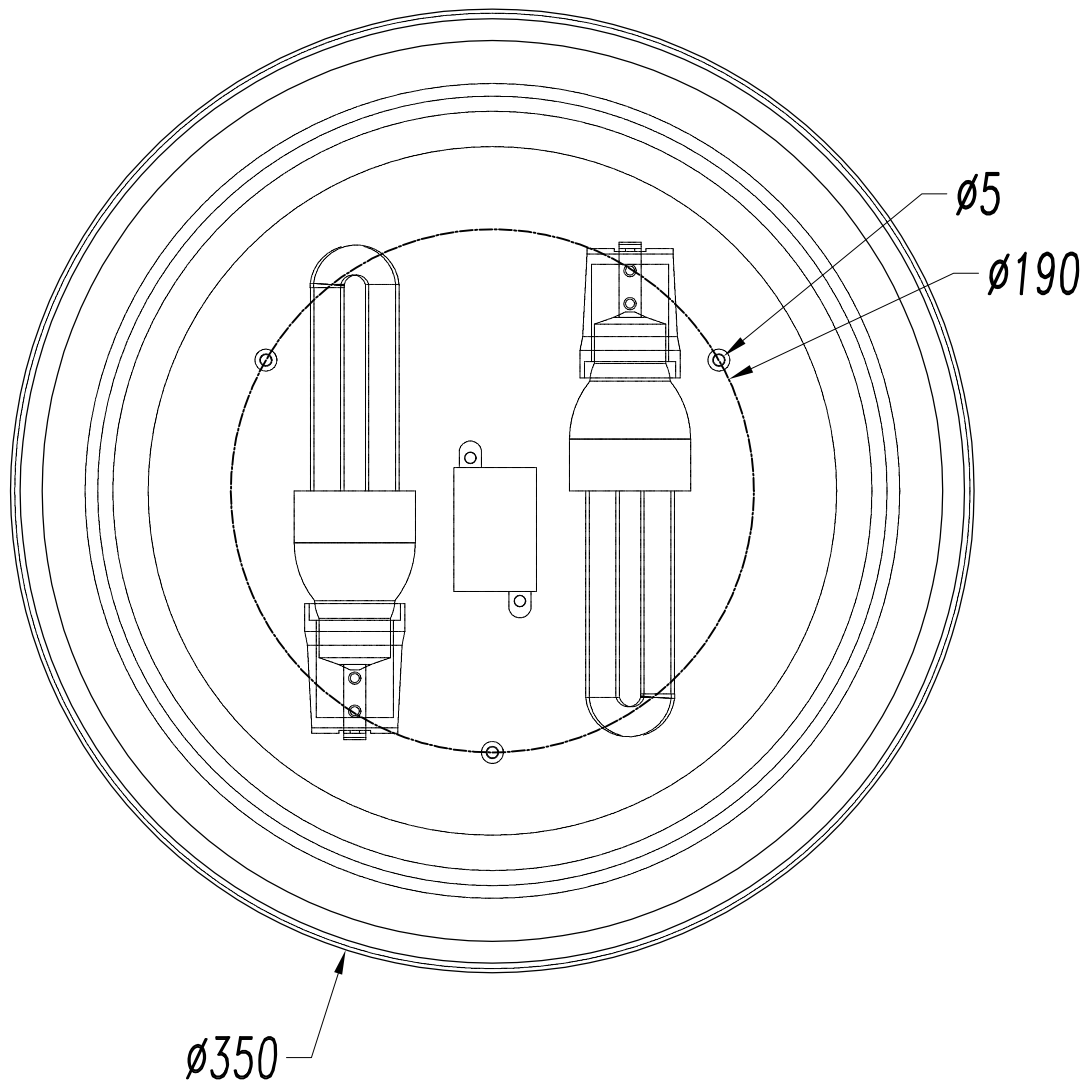
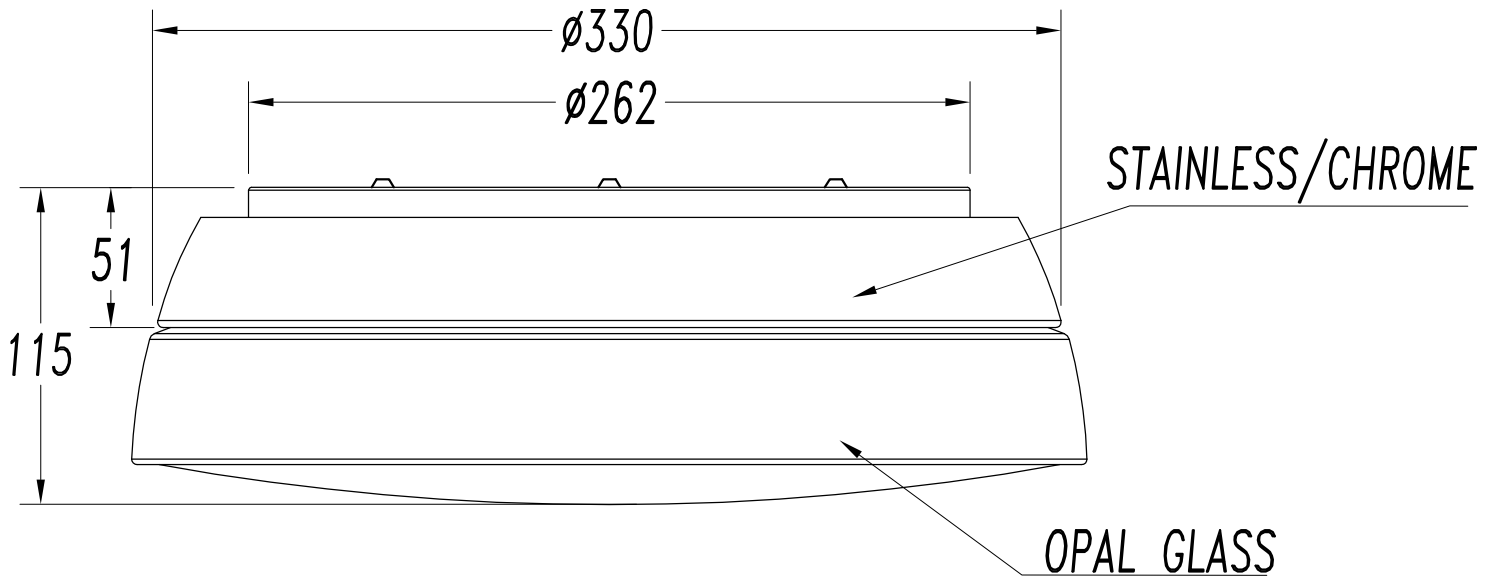
270.0 — 90.0 (Blue line)

ULOR 1.73 %

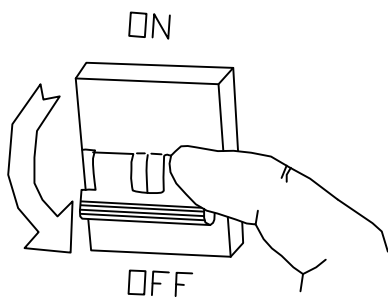
DLOR 32.75 %

RN 5.03 %

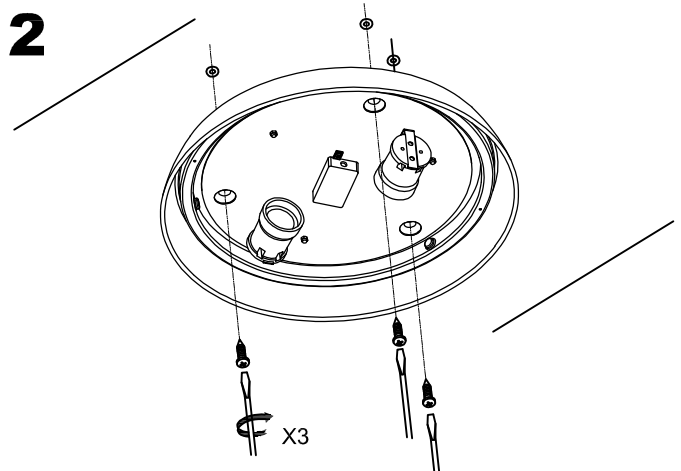




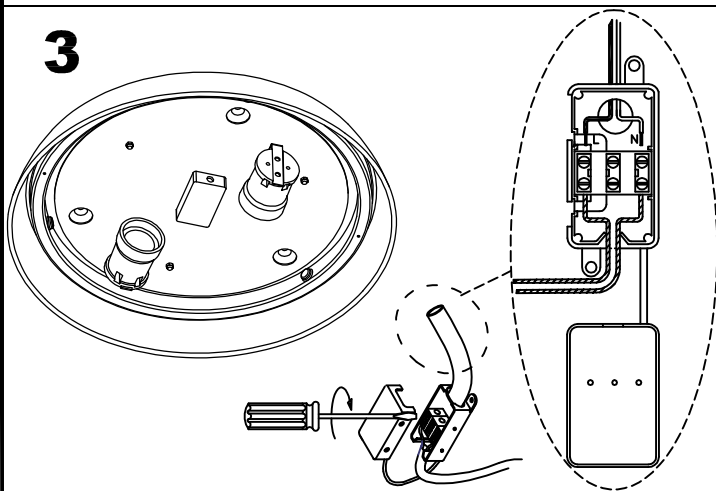
**1**



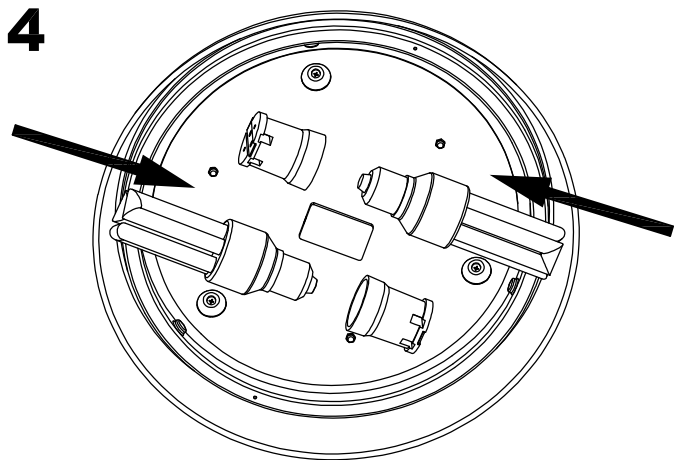
**2**



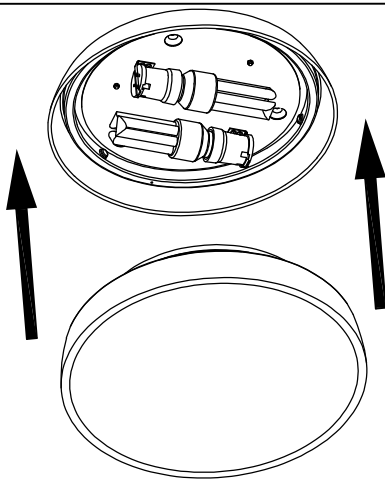
**3**



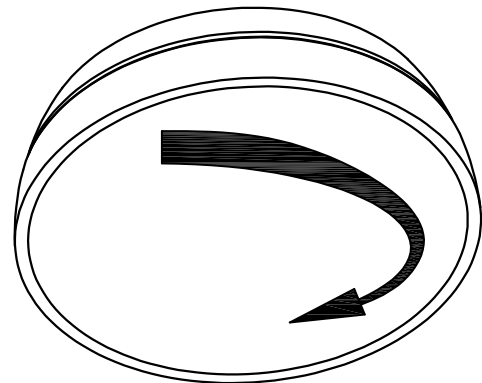
**4**



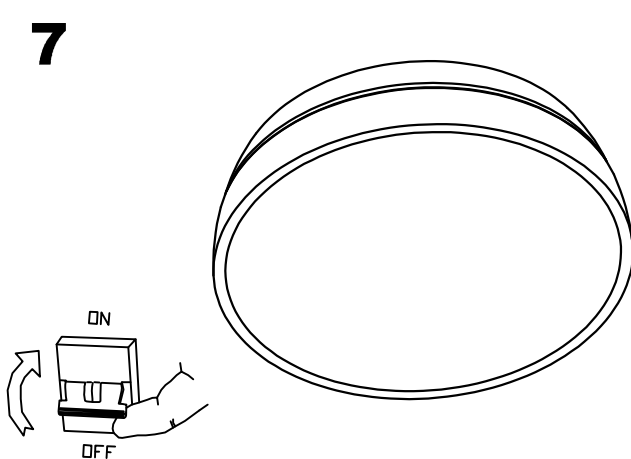
**5**



**6**



**7**



**8**

