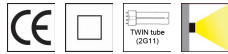


TECHNICAL CHARACTERISTICS

Type:	Wall fixture
IP Protection degrees:	IP44
Light source 1:	1 x 2G11 18W
Voltage / Frequency:	230V/50-60Hz
Warranty (Years):	2
Units per box:	6
Net Weight (Kg):	0.99
EAN:	8435111081013



MATERIALS / FINISHES

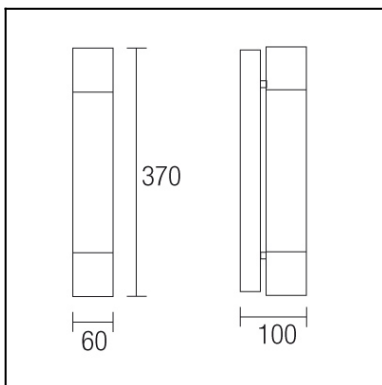
Structure material:	Steel	Diffuser material:	Polycarbonate
Structure finish:	Chrome	Diffuser finish:	Opal

GEAR

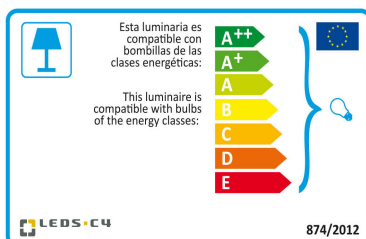
Gear included: Yes, electronic



The photograph may not match the reference exactly. Please read the product description to identify the finish.



Download photometric file .ldt / .ies



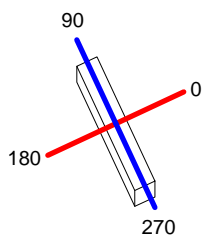
Click on image to download energy label
LEDS-C4 reserves the right to make the necessary technical changes they deem adequate, in order to improve the features of the product.

Please consult the sales team to clarify any doubt.

Luminaire		Measur.		Lamp		
Code	05-4385-21-M1	Code	05-4385-21-M1	Code	PL-L18W/830/4P	
Name	Aplique 1x18W PL-L 2G11	Name	Aplique 1x18W PL-L 2G11	Number	1	
Line	Eulumdat	Date	28-08-2013	Position		
Efficiency	54.67%	Coordinate system	CG	Total Flux	1200.00 lm	
Maximum value	103.91 cd	Position	C=0.00 G=45.00	Double Symmetrical		
Rectangular Luminaire	Length	370 mm	Width	60 mm	Height	100 mm
Rectangular Luminous Area	Length	250 mm	Width	60 mm	Height	60 mm
Horizontal Luminous Area	0.015000 m2	Emitting area on Plane 180°		0.015000 m2		
Emitting area on Plane 0°	0.015000 m2	Emitting area on Plane 270°		0.003600 m2		
Emitting area on Plane 90°	0.003600 m2	Glare area at 76°		0.018183 m2		
Symmetry Type	Double Symmetrical	Maximum Gamma Angle	180			
Measurement Distance	0.00	Measurement Flux	1200.00 lm			
Operator	Asselum	Source voltage				
Temperature	25.00 °C	Source current				
Humidity	60.00 %	Photocell				
Notes						

Luminaire Lamps					
Line	Code	Name	Flux [lm]	Pow. [W]	Q.ty
Eulumdat	PL-L18W/830/4P	PL-L18W/830/4P - 18.00 W	1200.00	18.00	1
C.I.E.	30 58 81 69 55	D DIN 5040	B11		
F UTE	0.38 H + 0.17 T	B NBN	BZ 7		

370mm x 60mm



C Halfplanes

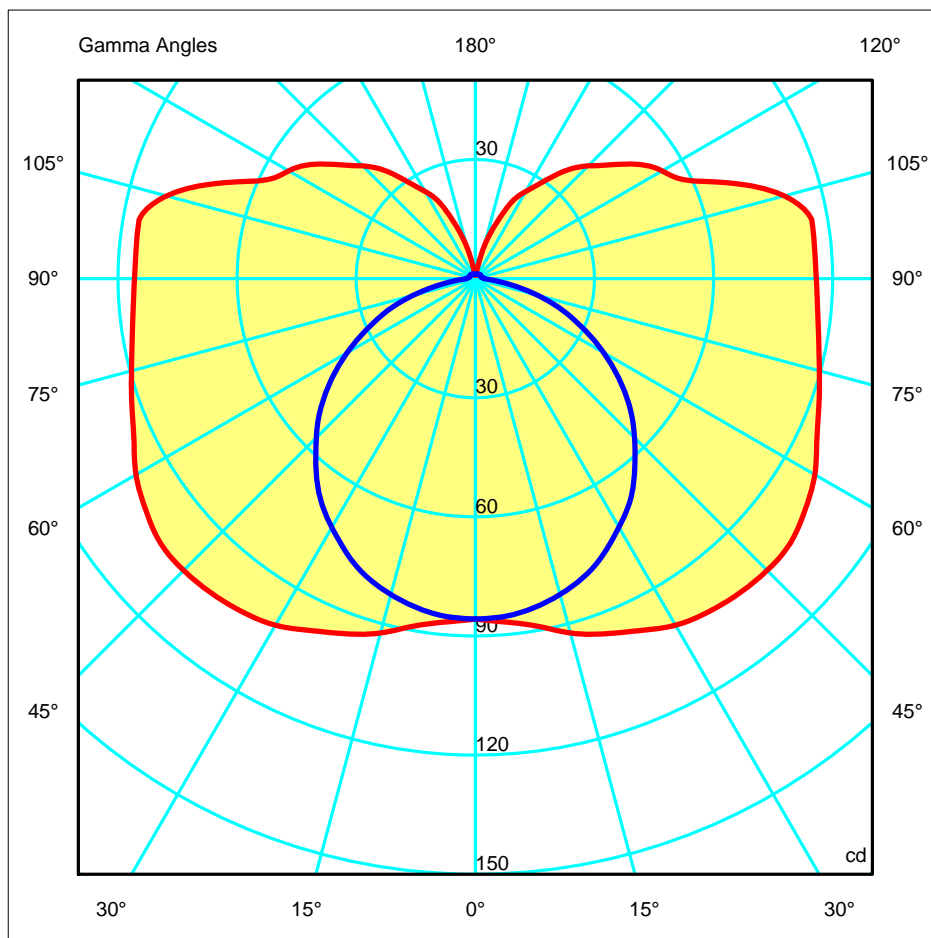
180.0 — 0.0

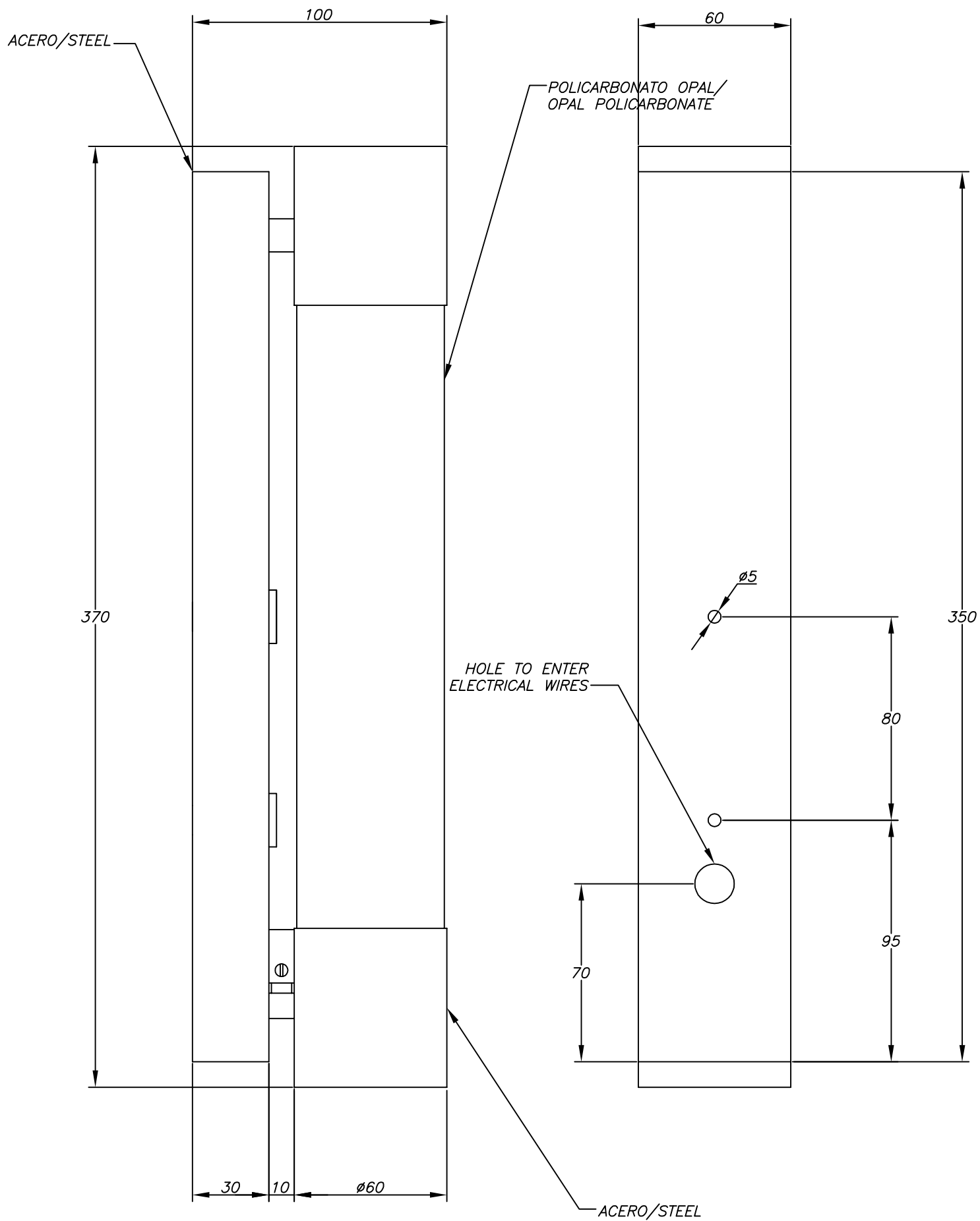
270.0 — 90.0

ULOR 16.93 %

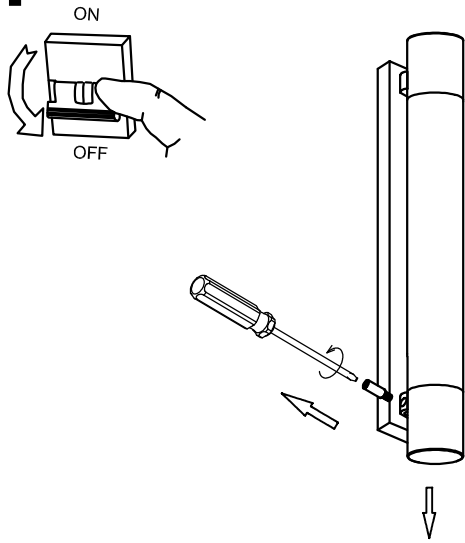
DLOR 37.73 %

RN 30.98 %

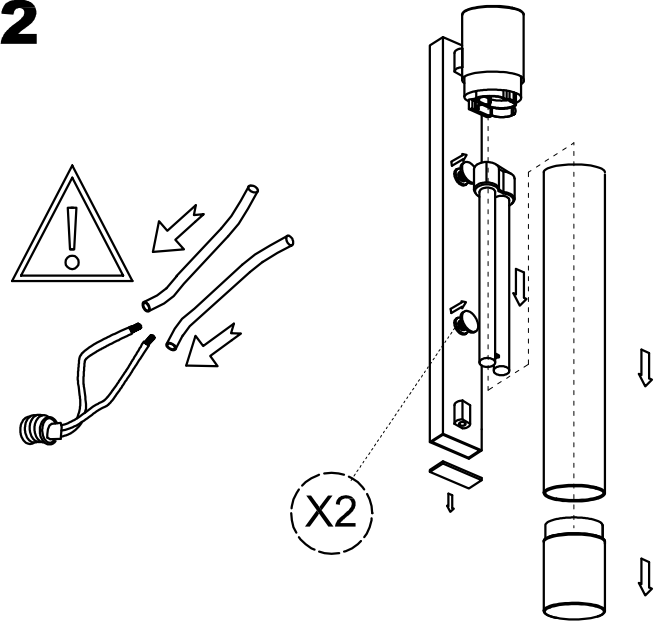




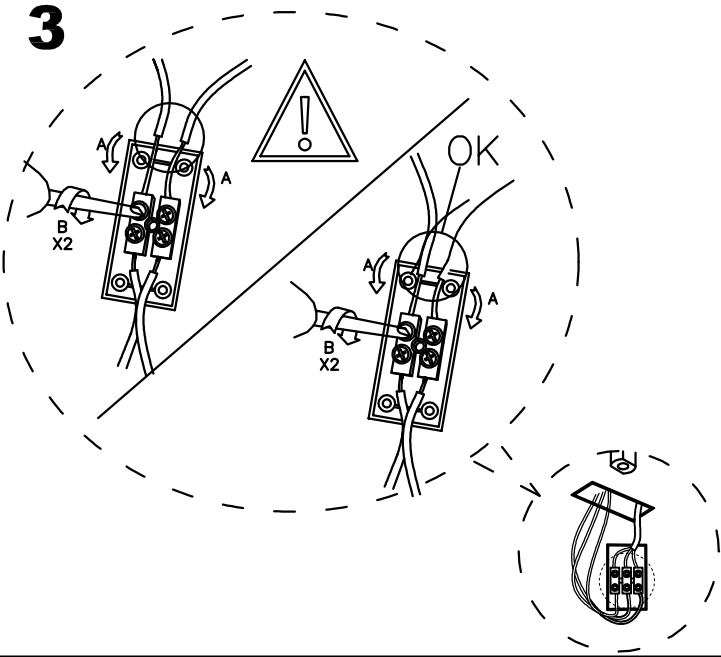
1



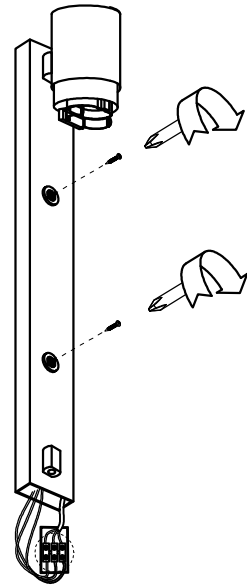
2



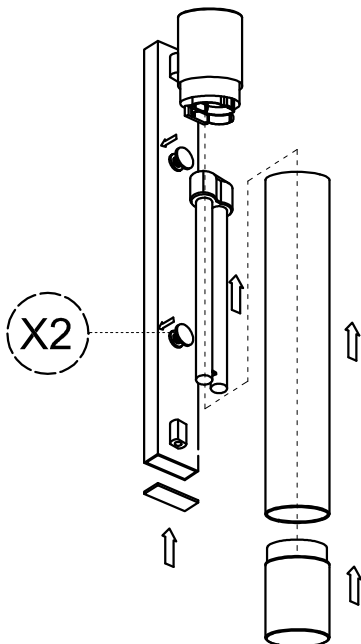
3



4



5



6

