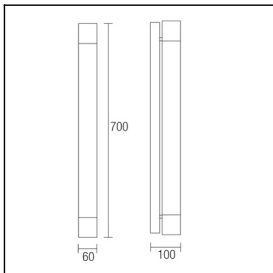
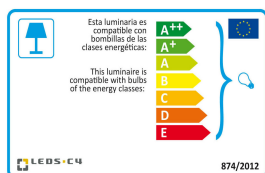


The photograph may not match the reference exactly. Please read the product description to identify the finish.



Download photometric file .ldt /.ies



Click on image to download energy label

TECHNICAL CHARACTERISTICS

Type:	Wall fixture
IP Protection degrees:	IP44
Light source 1:	1 x 2G11 40W
Total power consumption (W):	42.7
Voltage / Frequency:	220-240V/50Hz
Warranty (Years):	2
Units per box:	6
Net Weight (Kg):	1.815
EAN:	8435111081037



MATERIALS / FINISHES

Structure material:	Steel	Diffuser material:	Polycarbonate
Structure finish:	Chrome	Diffuser finish:	Opal

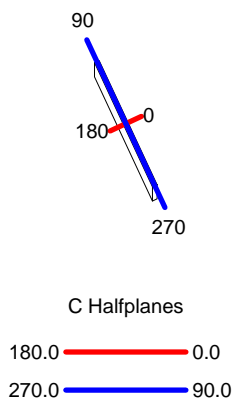
GEAR

Gear included: Yes, electronic

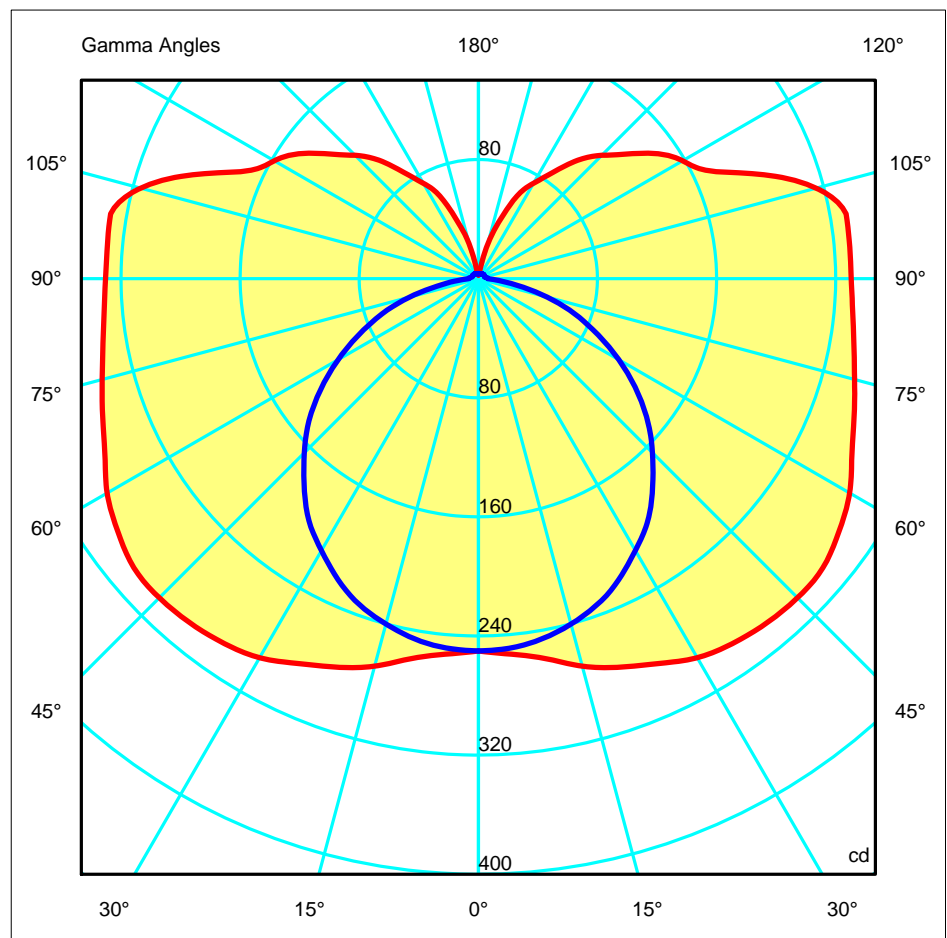
Luminaire		Measur.		Lamp		
Code	05-4387-21-M1	Code	05-4385-21-M1	Code	PL-L40W/830/4P	
Name	Aplique DRESDE 1x40W PL-L 2G11	Name	Aplique DRESDE 1x40W PL-L 2G11	Number	1	
Line	Eulumdat	Date	28-08-2013	Position		
Efficiency	54.67%	Coordinate system	CG	Total Flux	3500.00 lm	
Maximum value	303.07 cd	Position	C=0.00 G=45.00	Double Symmetrical		
Rectangular Luminaire	Length	700 mm	Width	26 mm	Height	100 mm
Rectangular Luminous Area	Length	580 mm	Width	60 mm	Height	60 mm
Horizontal Luminous Area	0.034800 m2	Emitting area on Plane 180°		0.034800 m2		
Emitting area on Plane 0°	0.034800 m2	Emitting area on Plane 270°		0.003600 m2		
Emitting area on Plane 90°	0.003600 m2	Glare area at 76°		0.042185 m2		
Symmetry Type	Double Symmetrical	Maximum Gamma Angle		180		
Measurement Distance	0.00	Measurement Flux		3500.00 lm		
Operator	Asselum	Source voltage				
Temperature	25.00 °C	Source current				
Humidity	60.00 %	Photocell				
Notes						

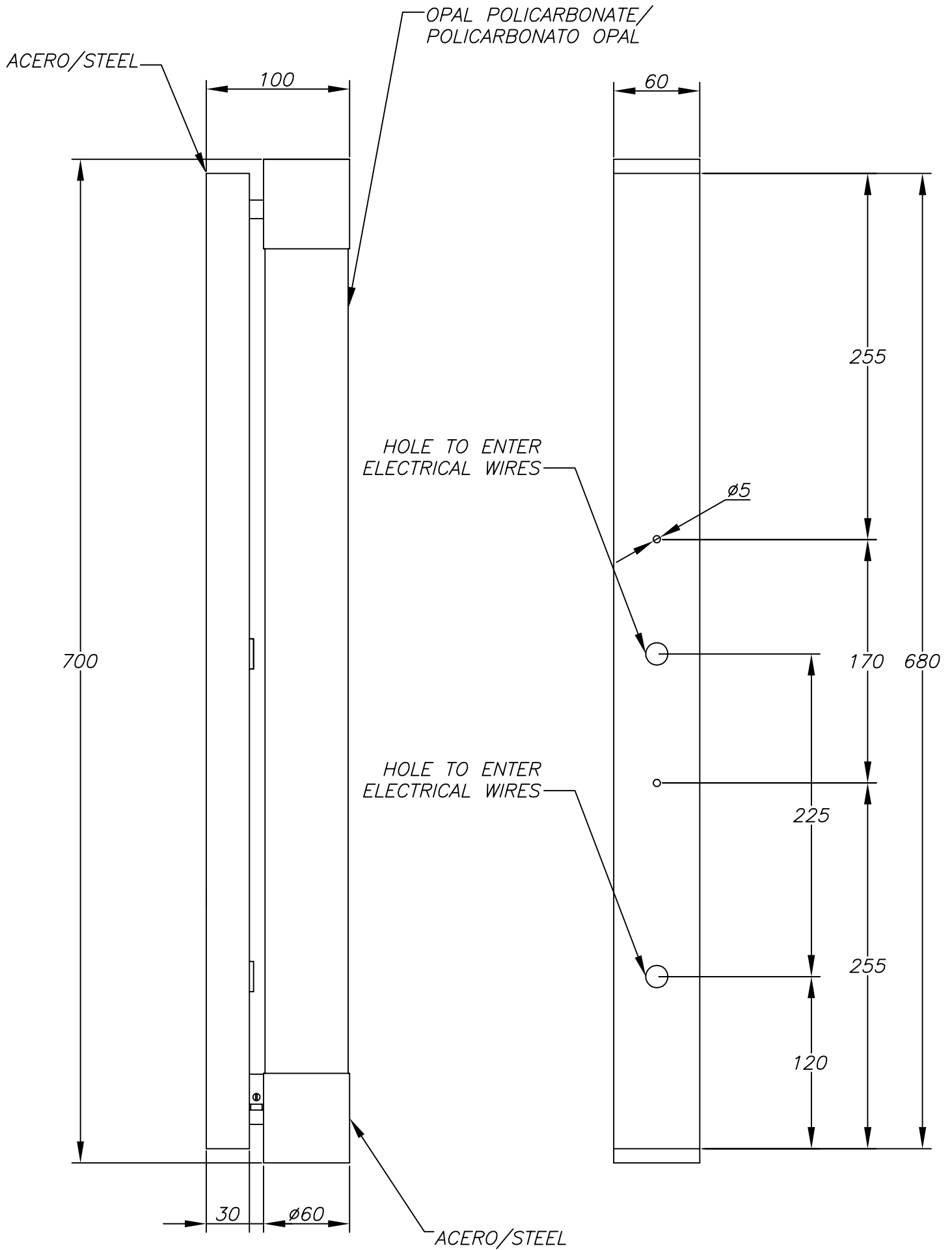
Luminaire Lamps						
Line	Code	Name	Flux [lm]	Pow. [W]	Q.ty	
Eulumdat	PL-L40W/830/4P	PL-L40W/830/4P - 40.00 W	3500.00	40.00	1	
C.I.E.	30 58 81 69 55	D DIN 5040				B11
F UTE	0.38 H + 0.17 T	B NBN				BZ 7

700mm x 26mm

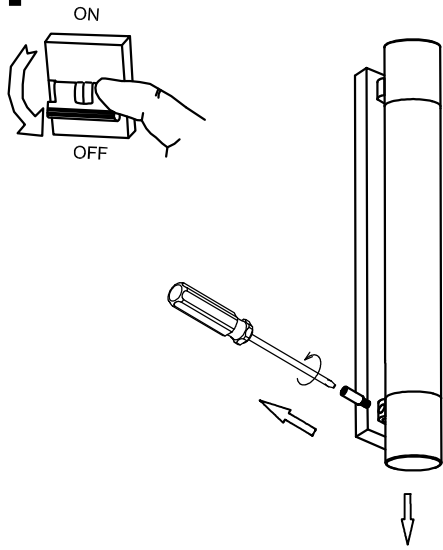


ULOR 16.93 %
 DLOR 37.73 %
 RN 30.98 %

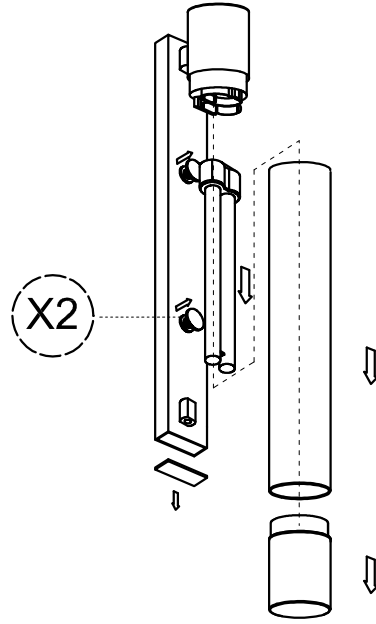




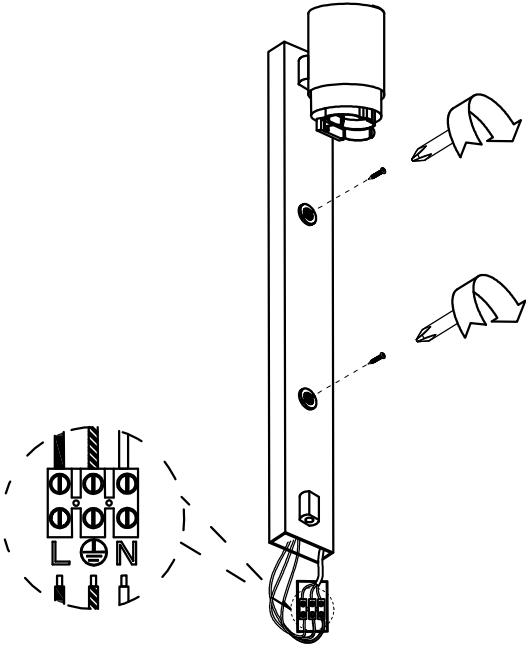
1



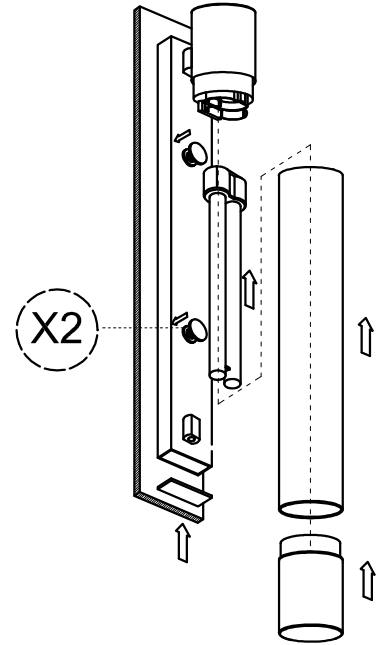
2



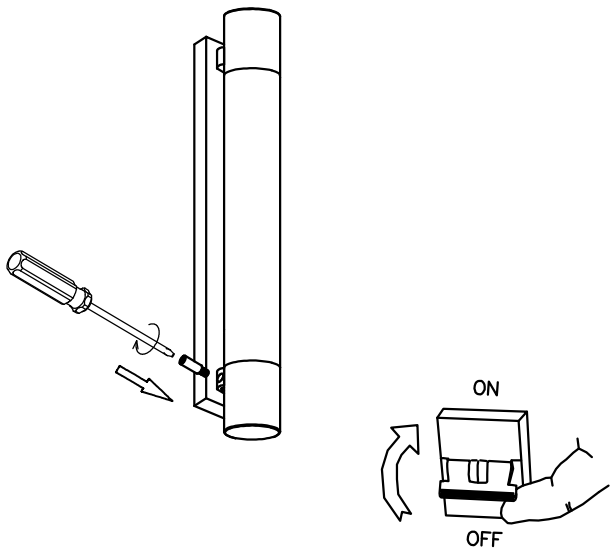
3



4



5



6

