



The photograph may not match the reference exactly. Please read the product description to identify the finish.

TECHNICAL CHARACTERISTICS

Type:	Wall fixture
IP Protection degrees:	IP44
Light source 1:	1 x 2G11 24W
Total power consumption (W):	18
Voltage / Frequency:	220-240V/50-60Hz
Warranty (Years):	2
Units per box:	4
Net Weight (Kg):	1.275
EAN:	8435111090336

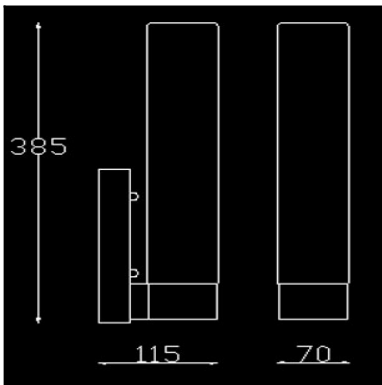


MATERIALS / FINISHES

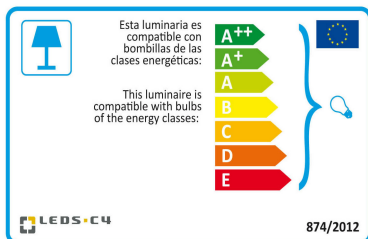
Structure material:	Steel	Diffuser material:	Glass
Structure finish:	Chrome	Diffuser finish:	Opal

GEAR

Gear included: Yes, electronic



[Download photometric file .ldt / .ies](#)

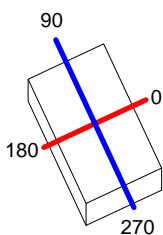


[Click on image to download energy label](#)

Luminaire		Measur.		Lamp	
Code	05-0027	Code	05-0027	Code	FLUORESCENT
Name	WALL LIGHT	Name	WALL LIGHT	Number	1
Line	Eulumdat	Date	15-11-2013	Position	
Efficiency	26.12%	Coordinate system	CG	Total Flux	1800.00 lm
Maximum value	71.19 cd	Position	C=270.00 G=38.00	Asymmetrical	
Rectangular Luminaire	Length	115 mm	Width	70 mm	Height
Rectangular Luminous Area	Length	115 mm	Width	70 mm	Height
Horizontal Luminous Area	0.008050 m2	Emitting area on Plane 180°		0.044275 m2	
Emitting area on Plane 0°	0.044275 m2	Emitting area on Plane 270°		0.026950 m2	
Emitting area on Plane 90°	0.026950 m2	Glare area at 76°		0.044907 m2	
Symmetry Type	Asymmetrical	Maximum Gamma Angle		180	
Measurement Distance	0.00	Measurement Flux		1800.00 lm	
Operator		Source voltage			
Temperature	25.00 °C	Source current			
Humidity	60.00 %	Photocell			
Notes					

Luminaire Lamps					
Line	Code	Name	Flux [lm]	Pow. [W]	Q.ty
Eulumdat	FLUORESCENT	FLUORESCENT - 24.00 W	1800.00	24.00	1
C.I.E.	29 56 79 67 26	D DIN 5040		B11	
F UTE	0.18 J + 0.09 T	B NBN		BZ 7	

115mm x 70mm



C Halfplanes

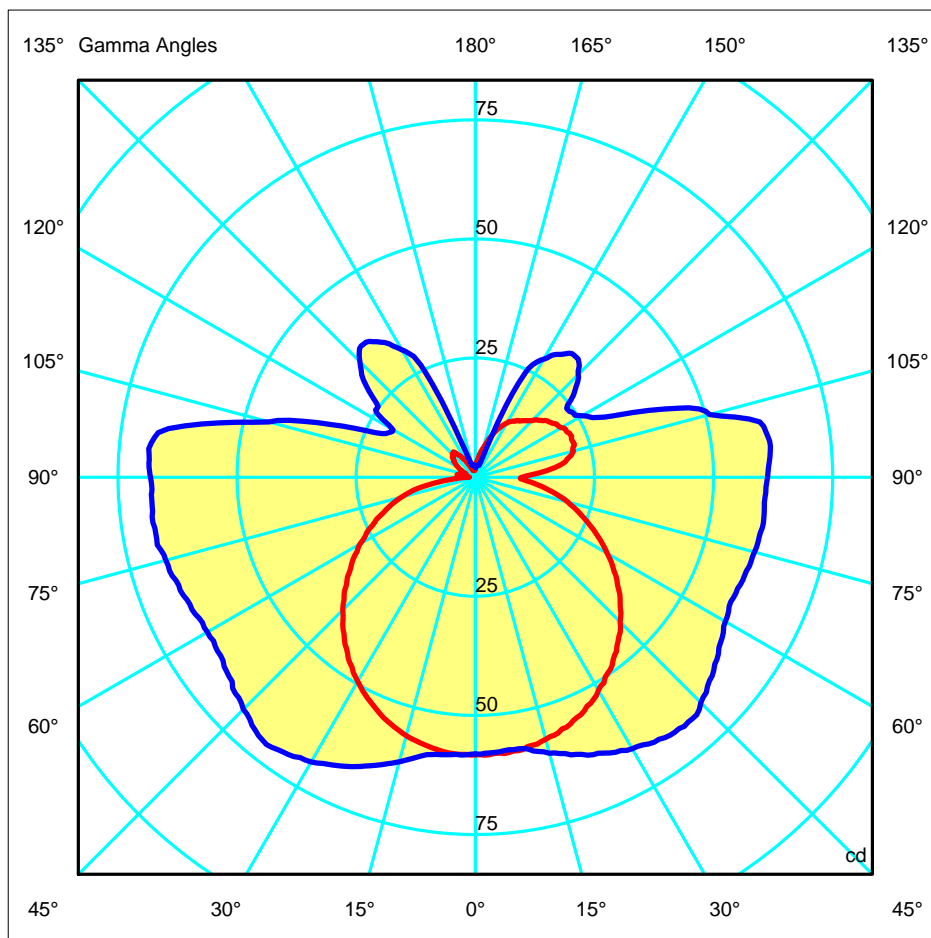
180.0 — 0.0

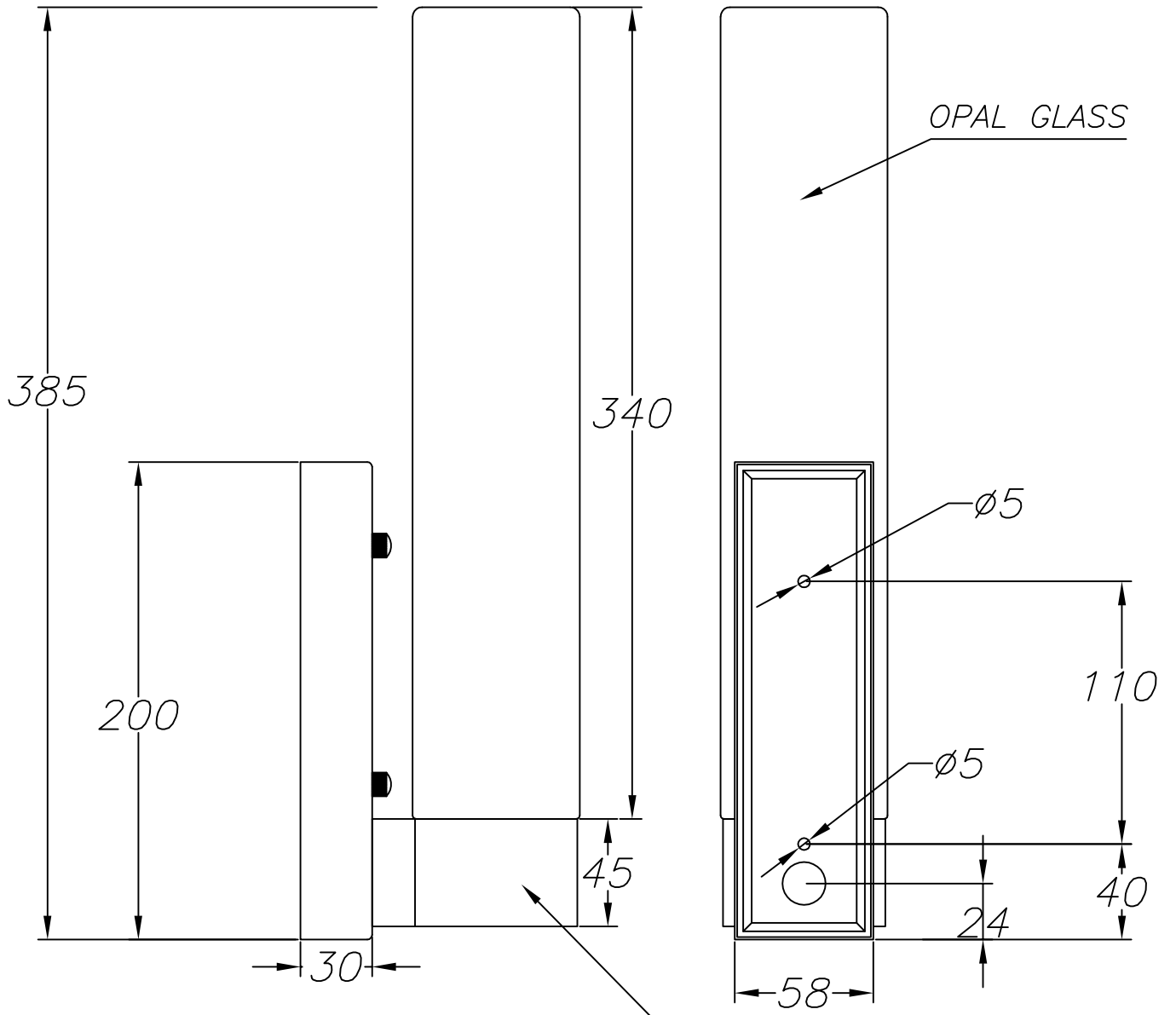
270.0 — 90.0

ULOR 8.53 %

DLOR 17.58 %

RN 32.68 %





STEEL/CHROME

ALUMINIUM/CHROME

