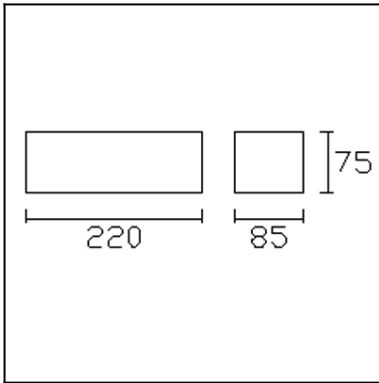
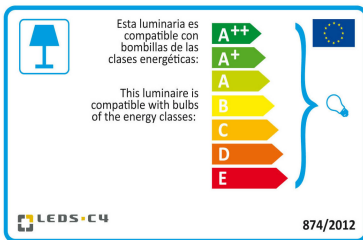


The photograph may not match the reference exactly. Please read the product description to identify the finish.



[Download photometric file .ldt / .ies](#)



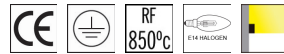
[Click on image to download energy label](#)

Description

Downlights suitable for recessed installation on ceilings. Body produced in gypsum with steel fixation clips. Suitable for halogen lamps and LED lights. Different models according to shape, rotation options and number of bulbs. Complete architecture integration with the use of thermoplastic paint. Option of including the GU10 lampholder as an accessory.

TECHNICAL CHARACTERISTICS

Type:	Wall fixture
IP Protection degrees:	IP20
Light source 1:	1 x E14 40W Maximum lamp length: 129.00 mm Maximum lamp diameter: 45.00 mm
Total power consumption (W):	40
Voltage / Frequency:	220-240V/50-60Hz
Warranty (Years):	2
Units per box:	12
Net Weight (Kg):	0.9
EAN:	8435381404840



MATERIALS / FINISHES

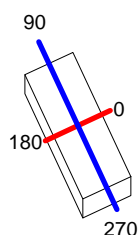
Structure material: Plaster

Structure finish: White

Luminaire		Measur.		Lamp		
Code	05-1793	Code	05-1793	Code	INCANDESCENT	
Name	WALL LIGHT	Name	WALL LIGHT	Number	1	
Line	Eulumdat	Date	16-11-2013	Position		
Efficiency	37.76%	Coordinate system	CG	Total Flux	415.00 lm	
Maximum value	71.96 cd	Position	C=0.00 G=99.00	Asymmetrical		
Rectangular Luminaire	Length	220 mm	Width	85 mm	Height	75 mm
Rectangular Luminous Area	Length	220 mm	Width	85 mm	Height	75 mm
Horizontal Luminous Area	0.018700 m2	Emitting area on Plane 180°		0.016500 m2		
Emitting area on Plane 0°	0.016500 m2	Emitting area on Plane 270°		0.006375 m2		
Emitting area on Plane 90°	0.006375 m2	Glare area at 76°		0.020534 m2		
Symmetry Type	Asymmetrical	Maximum Gamma Angle		180		
Measurement Distance	0.00	Measurement Flux		415.00 lm		
Operator		Source voltage				
Temperature	25.00 °C	Source current				
Humidity	60.00 %	Photocell				
Notes						

Luminaire Lamps						
Line	Code	Name	Flux [lm]	Pow. [W]	Q.ty	
Eulumdat	INCANDESCENT	INCANDESCENT - 36.90 W	415.00	36.90	1	
C.I.E.	8 30 63 64 38	D DIN 5040				B11
F UTE	--	B NBN				BZ 10

220mm x 85mm



C Halfplanes

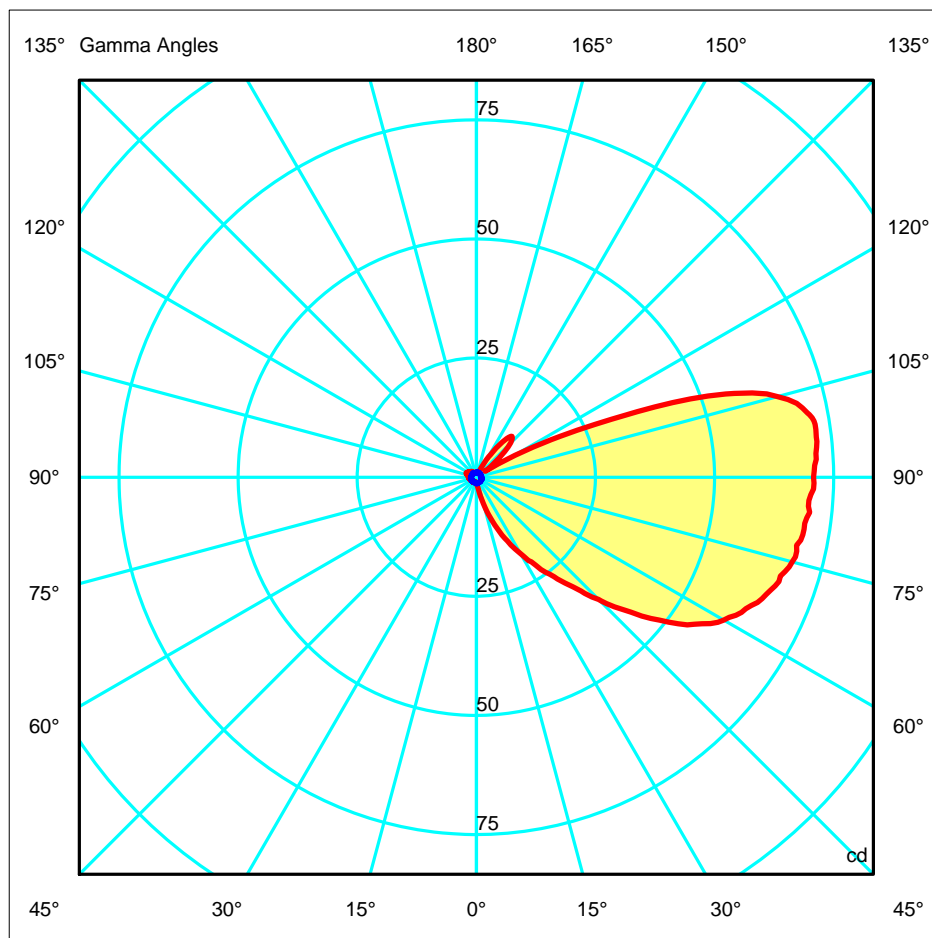
180.0 — 0.0

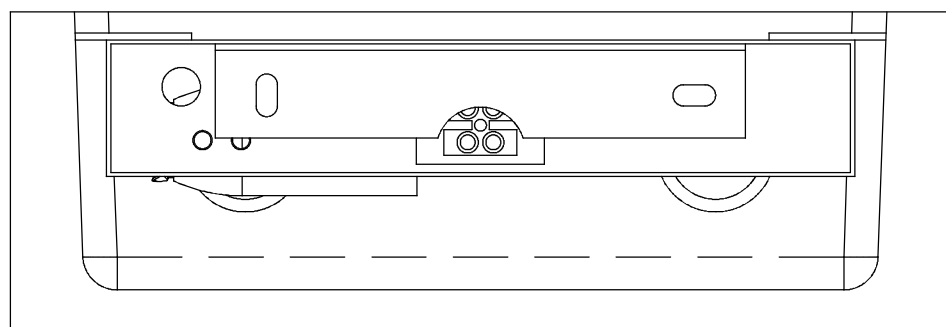
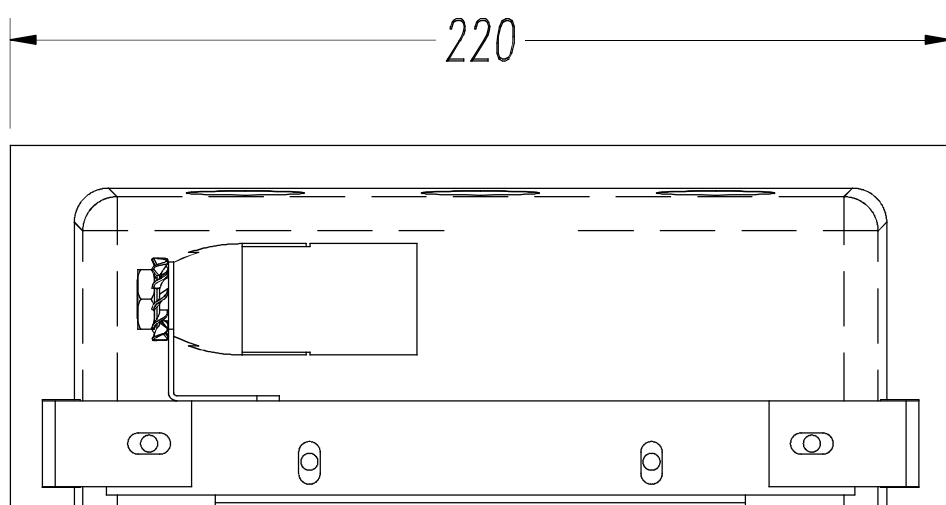
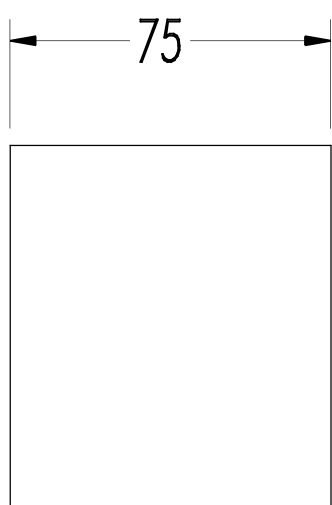
270.0 — 90.0

ULOR 13.70 %

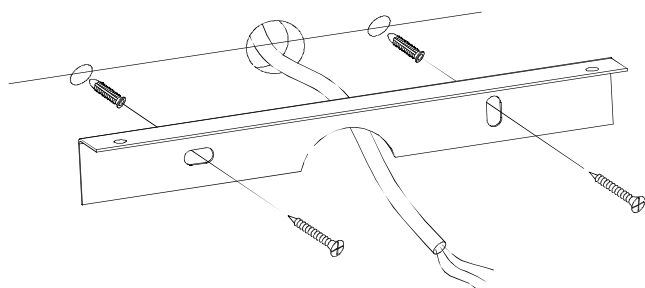
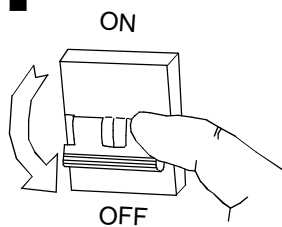
DLOR 24.05 %

RN 36.29 %

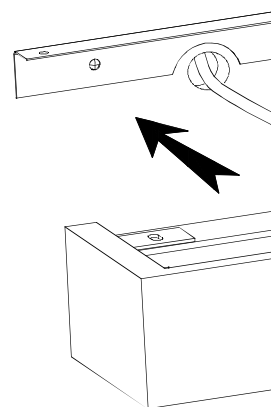




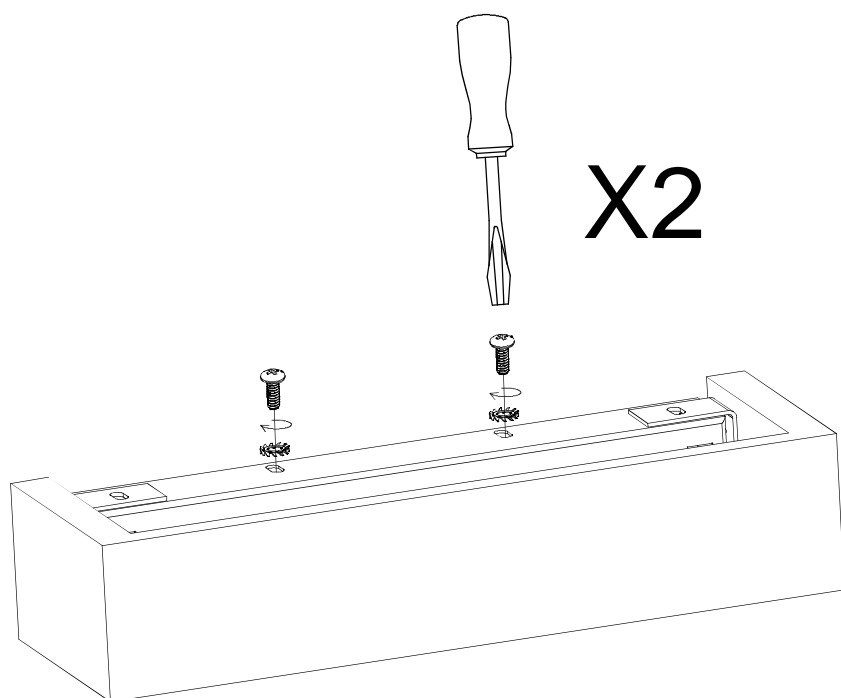
1



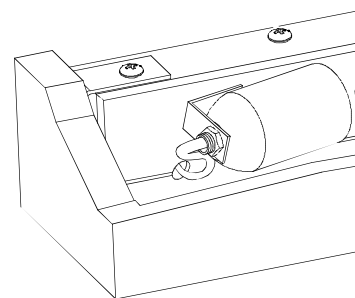
2



3



4



5