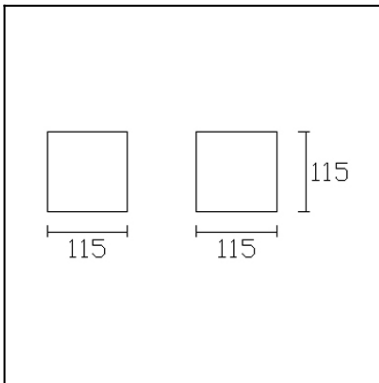


The photograph may not match the reference exactly. Please read the product description to identify the finish.



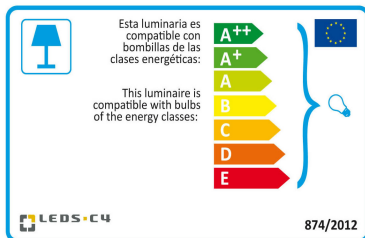
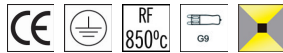
Description

Downlights suitable for recessed installation on ceilings. Body produced in gypsum with steel fixation clips. Suitable for halogen lamps and LED lights. Different models according to shape, rotation options and number of bulbs. Complete architecture integration with the use of thermoplastic paint. Option of including the GU10 lampholder as an accessory.

TECHNICAL CHARACTERISTICS

Type:	Wall fixture
IP Protection degrees:	IP20
Light source 1:	1 x G9 40W
Total power consumption (W):	40
Voltage / Frequency:	220-240V/50-60Hz
Warranty (Years):	2
Units per box:	10
Net Weight (Kg):	0.855
EAN:	8435381404833

Download photometric file .ldt / .ies



Click on image to download energy label

MATERIALS / FINISHES

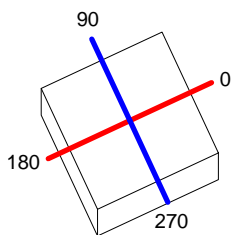
Structure material: Plaster

Structure finish: White

Luminaire		Measur.		Lamp		
Code	05-1794	Code	05-1794	Code	Halogen	
Name	05-1794	Name	05-1794	Number	1	
Line	Eulumdat	Date	16-11-2013	Position		
Efficiency	53.87%	Coordinate system	CG	Total Flux	420.00 lm	
Maximum value	61.74 cd	Position	C=60.00 G=149.00	Asymmetrical		
Rectangular Luminaire	Length	115 mm	Width	115 mm	Height	115 mm
Rectangular Luminous Area	Length	115 mm	Width	115 mm	Height	115 mm
Horizontal Luminous Area	0.013225 m2	Emitting area on Plane 180°		0.013225 m2		
Emitting area on Plane 0°	0.013225 m2	Emitting area on Plane 270°		0.013225 m2		
Emitting area on Plane 90°	0.013225 m2	Glare area at 76°		0.016032 m2		
Symmetry Type	Asymmetrical	Maximum Gamma Angle		180		
Measurement Distance	0.00	Measurement Flux		420.00 lm		
Operator		Source voltage				
Temperature	25.00 °C	Source current				
Humidity	60.00 %	Photocell				
Notes						

Line		Code		Luminaire Lamps		Flux [lm]	Pow. [W]	Q.ty
Eulumdat		Halogen		Name				
				Halogen - 37.10 W		420.00	37.10	1
C.I.E.	60 87 97 51 54			D DIN 5040	C41			
F UTE	0.27 D + 0.26 T			B NBN	BZ 3			

115mm x 115mm



C Halfplanes

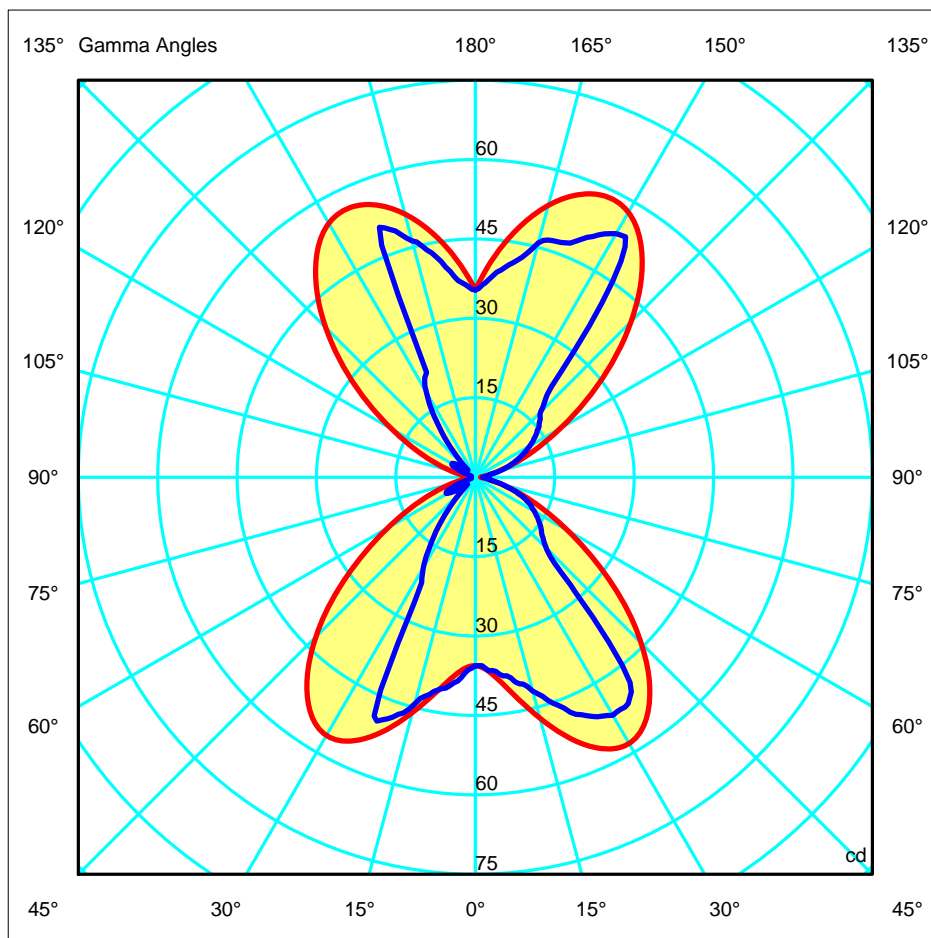
180.0 — 0.0 (Red line)

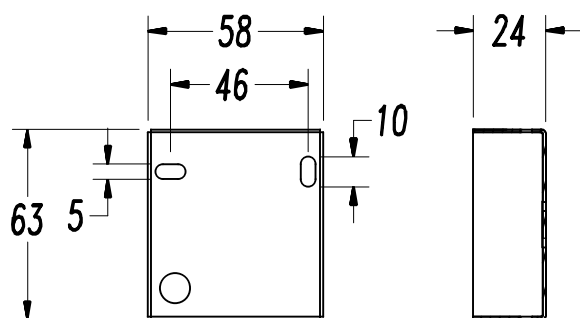
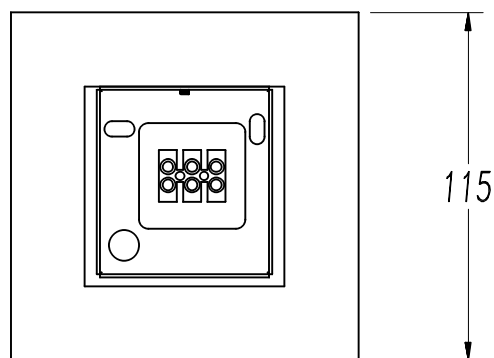
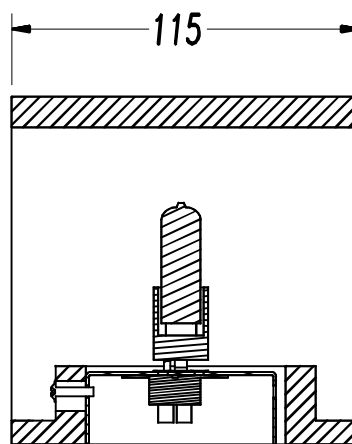
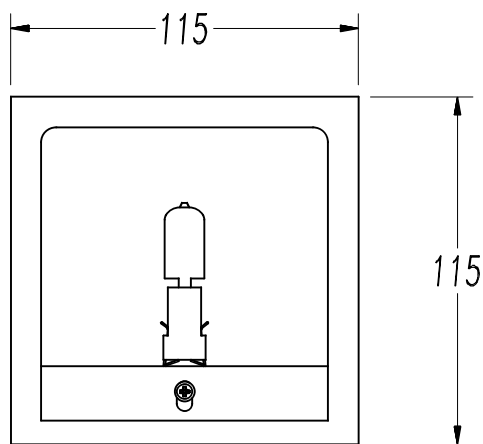
270.0 — 90.0 (Blue line)

ULOR 26.40 %

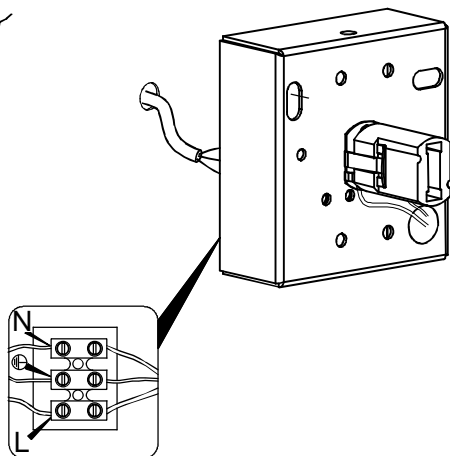
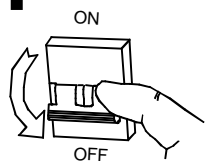
DLOR 27.47 %

RN 49.01 %

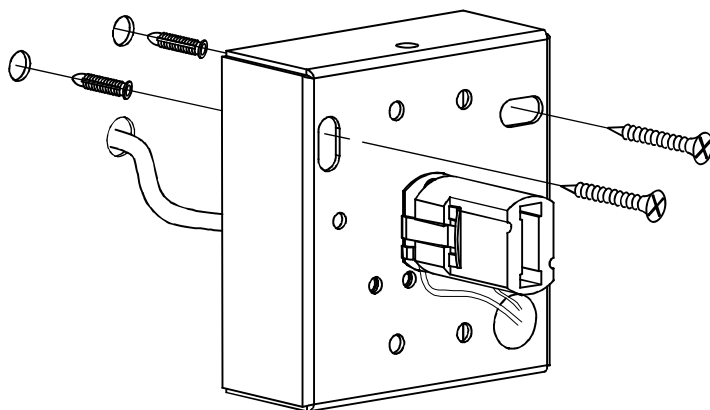




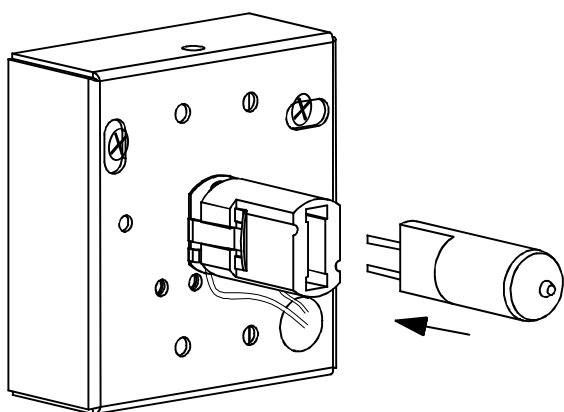
1



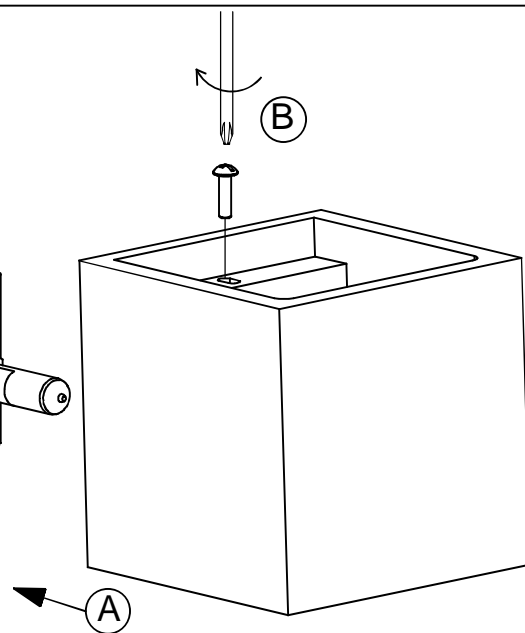
2



3



4



5

