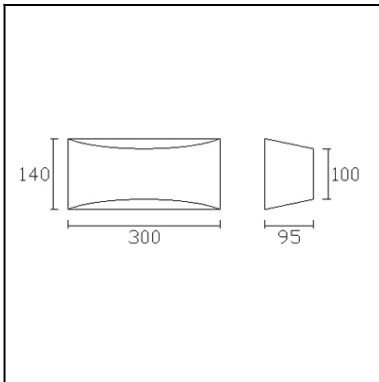
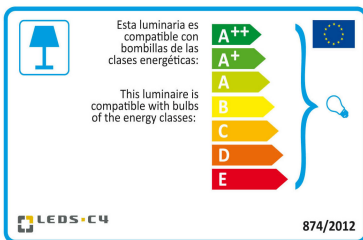




The photograph may not match the reference exactly. Please read the product description to identify the finish.



[Download photometric file .ldt / .ies](#)



[Click on image to download energy label](#)

Description

Downlights suitable for recessed installation on ceilings. Body produced in gypsum with steel fixation clips. Suitable for halogen lamps and LED lights. Different models according to shape, rotation options and number of bulbs. Complete architecture integration with the use of thermoplastic paint. Option of including the GU10 lampholder as an accessory.

TECHNICAL CHARACTERISTICS

Type:	Wall fixture
IP Protection degrees:	IP20
Light source 1:	1 x E14 40W Maximum lamp length: 129.00 mm Maximum lamp diameter: 45.00 mm
Total power consumption (W):	40
Voltage / Frequency:	220-240V/50-60Hz
Warranty (Years):	2
Option to extend the guarantee (Years):	5
Units per box:	6
Net Weight (Kg):	1.19
EAN:	8435381404857



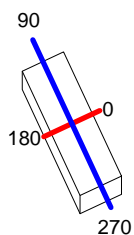
MATERIALS / FINISHES

Structure material: Plaster
Structure finish: White

Luminaire		Measur.		Lamp		
Code	05-1796	Code	05-1796	Code	INCANDESCENT	
Name	WALL LIGHT	Name	WALL LIGHT	Number	1	
Line	Eulumdat	Date	16-11-2013	Position		
Efficiency	66.26%	Coordinate system	CG	Total Flux	415.00 lm	
Maximum value	84.04 cd	Position	C=180.00 G=66.00	Asymmetrical		
Rectangular Luminaire	Length	300 mm	Width	100 mm	Height	140 mm
Rectangular Luminous Area	Length	300 mm	Width	100 mm	Height	140 mm
Horizontal Luminous Area	0.030000 m2	Emitting area on Plane 180°		0.042000 m2		
Emitting area on Plane 0°	0.042000 m2	Emitting area on Plane 270°		0.014000 m2		
Emitting area on Plane 90°	0.014000 m2	Glare area at 76°		0.048010 m2		
Symmetry Type	Asymmetrical	Maximum Gamma Angle		180		
Measurement Distance	0.00	Measurement Flux		415.00 lm		
Operator		Source voltage				
Temperature	25.00 °C	Source current				
Humidity	60.00 %	Photocell				
Notes						

Luminaire Lamps						
Line	Code	Name	Flux [lm]	Pow. [W]	Q.ty	
Eulumdat	INCANDESCENT	INCANDESCENT - 38.10 W	415.00	38.10	1	
C.I.E.	11 34 68 66 66	D DIN 5040				
F UTE	--	B NBN				B11 BZ 10

300mm x 100mm



C Halfplanes

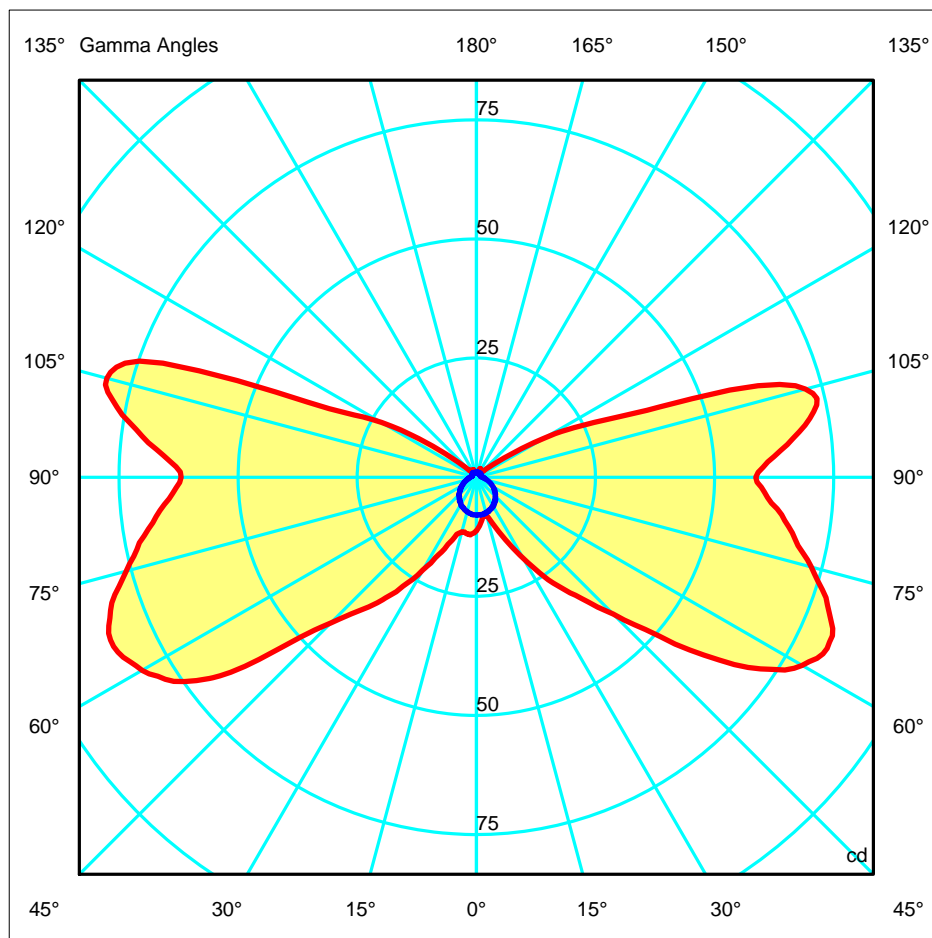
180.0 — 0.0

270.0 — 90.0

ULOR 22.81 %

DLOR 43.45 %

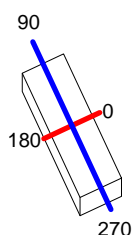
RN 34.43 %



Luminaire		Measur.		Lamp		
Code	05-1796_C	Code	05-1796	Code	INCANDESCENT	
Name	WALL LIGHT	Name	WALL LIGHT	Number	1	
Line	Eulumdat	Date	16-11-2013	Position		
Efficiency	65.33%	Coordinate system	CG	Total Flux	415.00 lm	
Maximum value	87.50 cd	Position	C=330.00 G=28.00	Asymmetrical		
Rectangular Luminaire	Length	300 mm	Width	100 mm	Height	140 mm
Rectangular Luminous Area	Length	300 mm	Width	100 mm	Height	140 mm
Horizontal Luminous Area	0.030000 m2	Emitting area on Plane 180°		0.042000 m2		
Emitting area on Plane 0°	0.042000 m2	Emitting area on Plane 270°		0.014000 m2		
Emitting area on Plane 90°	0.014000 m2	Glare area at 76°		0.048010 m2		
Symmetry Type	Asymmetrical	Maximum Gamma Angle		180		
Measurement Distance	0.00	Measurement Flux		415.00 lm		
Operator		Source voltage				
Temperature	25.00 °C	Source current				
Humidity	60.00 %	Photocell				
Notes						

Luminaire Lamps						
Line	Code	Name	Flux [lm]	Pow. [W]	Q.ty	
Eulumdat	INCANDESCENT	INCANDESCENT - 38.10 W	415.00	38.10	1	
C.I.E.	60 85 95 54 65	D DIN 5040	C41			
F UTE	0.35 D + 0.30 T	B NBN	BZ 3 / 2.5 / BZ 4			

300mm x 100mm



C Halfplanes

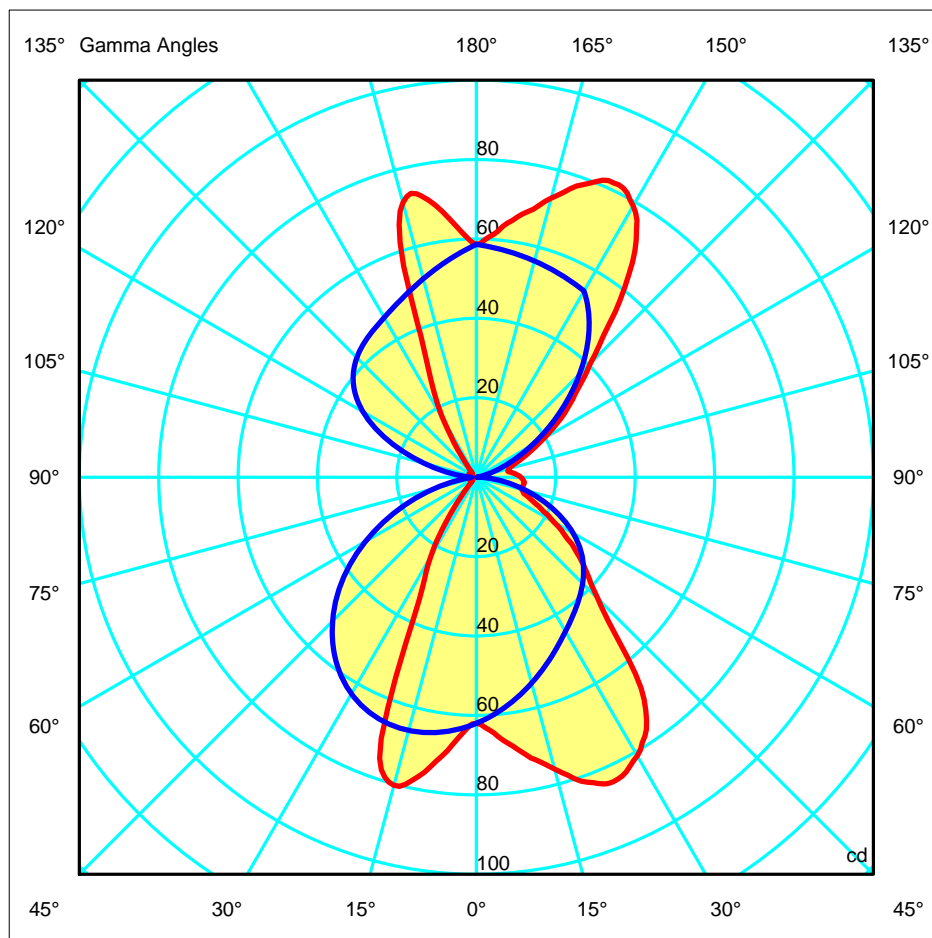
180.0 — 0.0

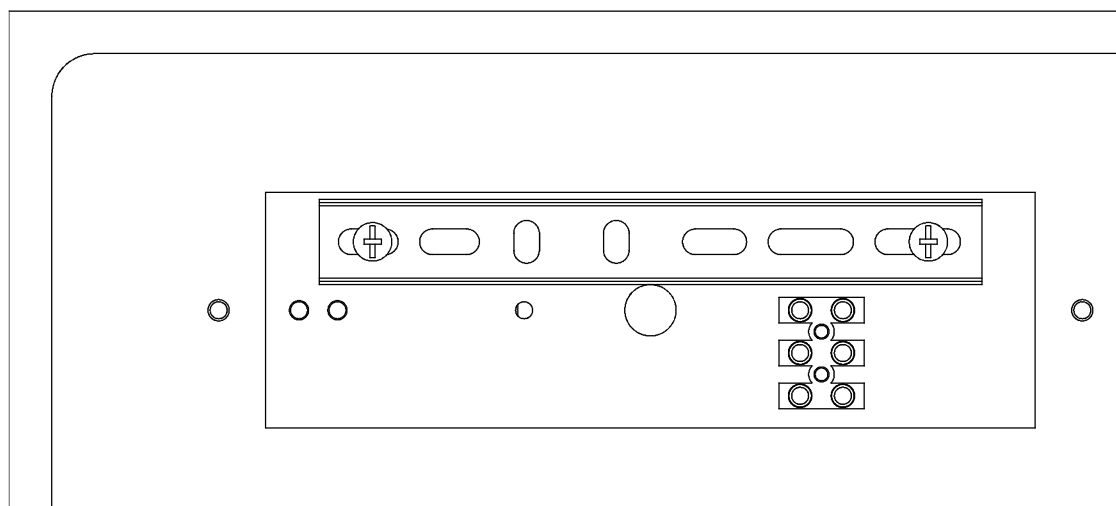
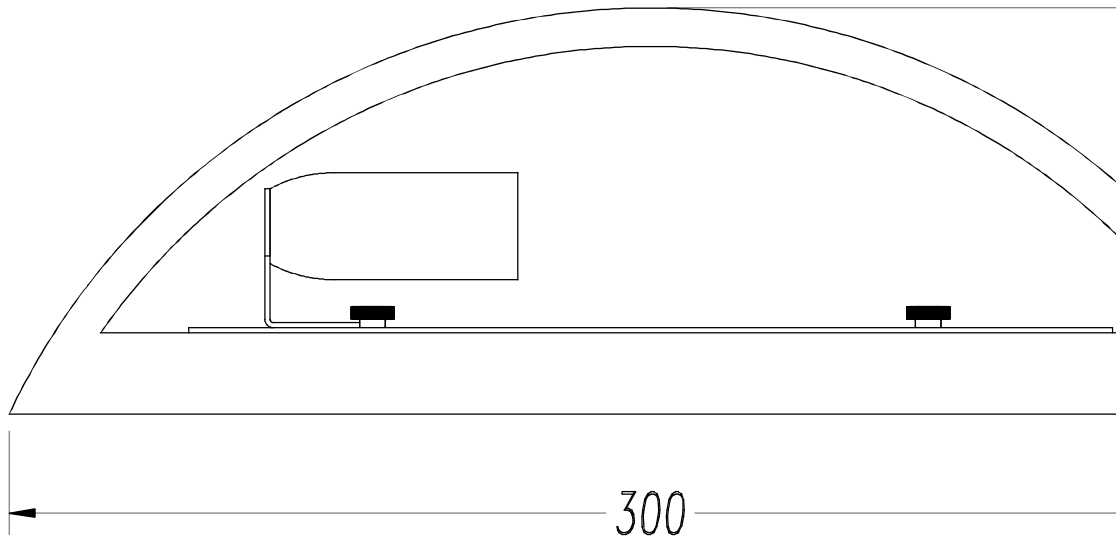
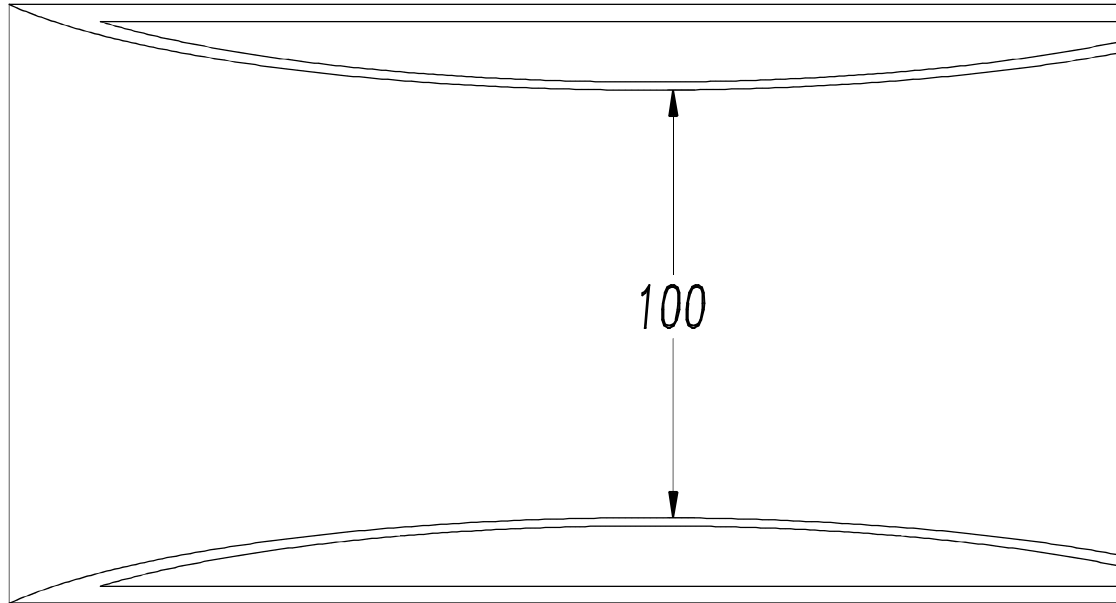
270.0 — 90.0

ULOR 30.33 %

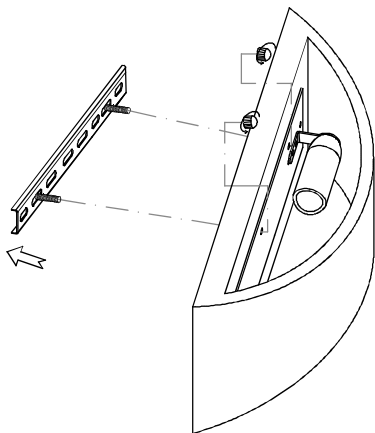
DLOR 35.00 %

RN 46.43 %

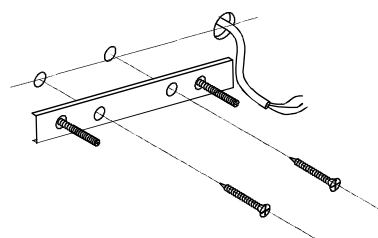
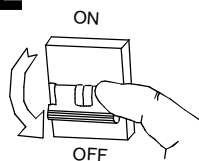




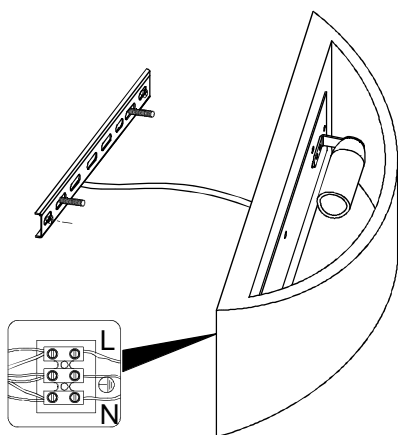
1



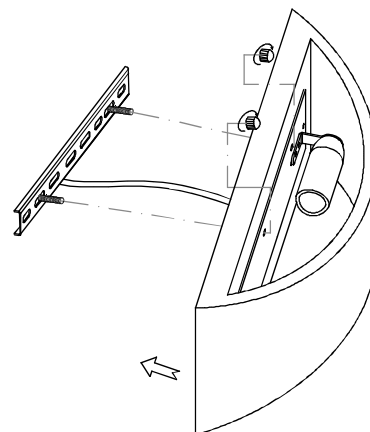
2



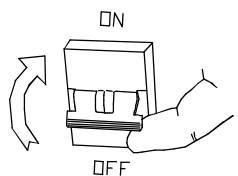
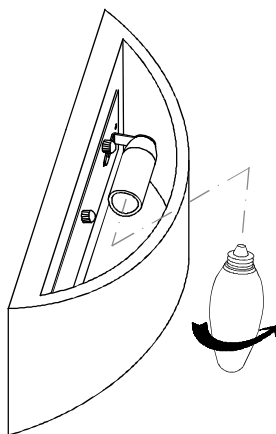
3



4



5



6

