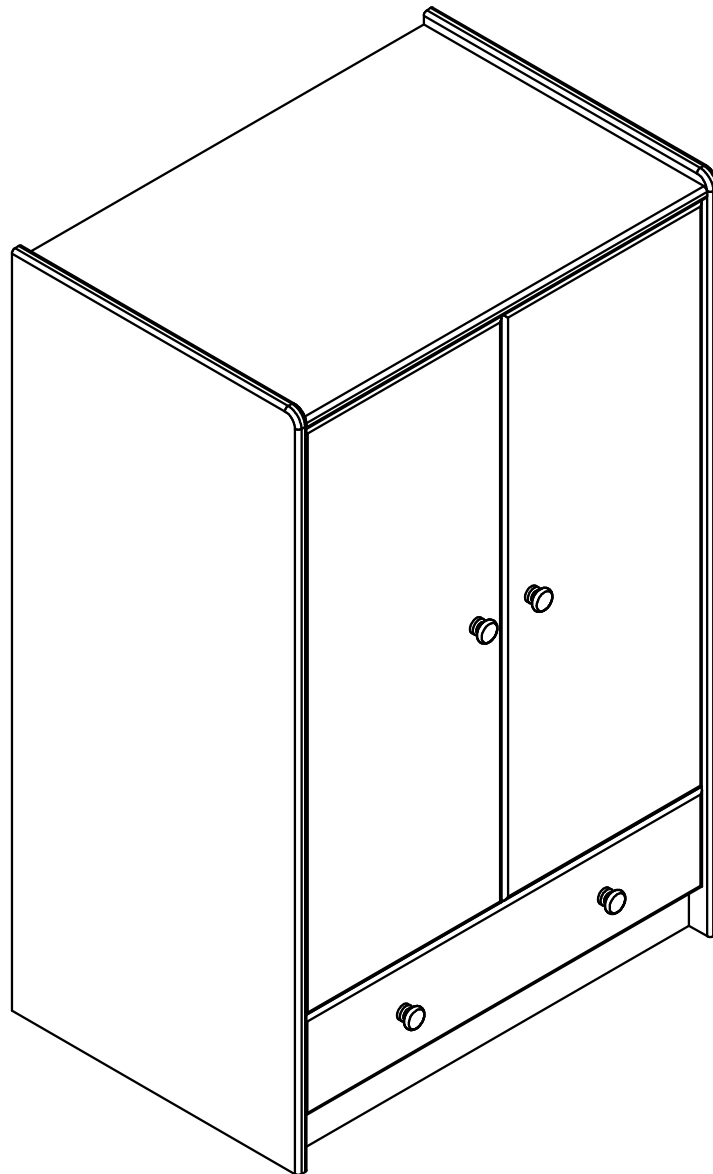
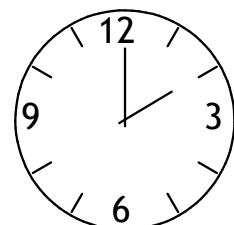
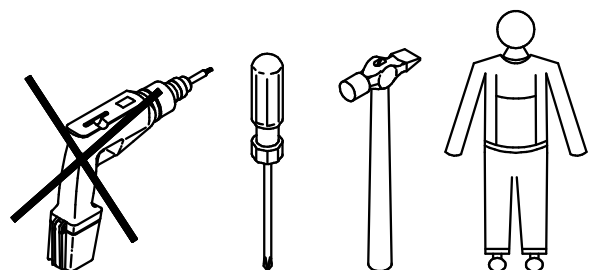
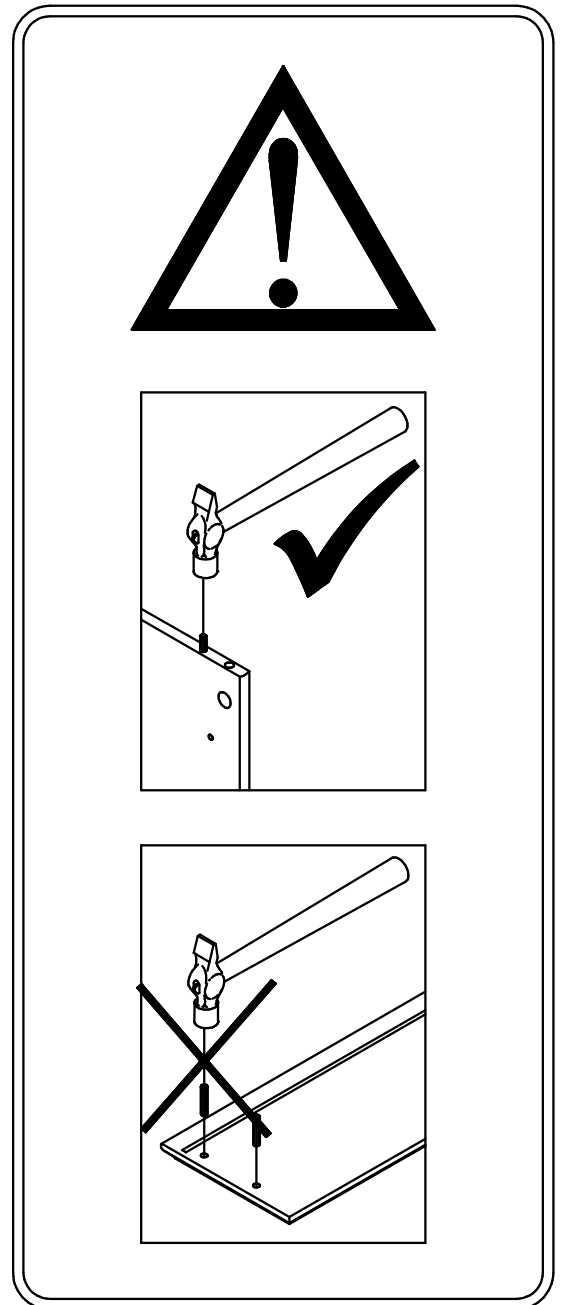
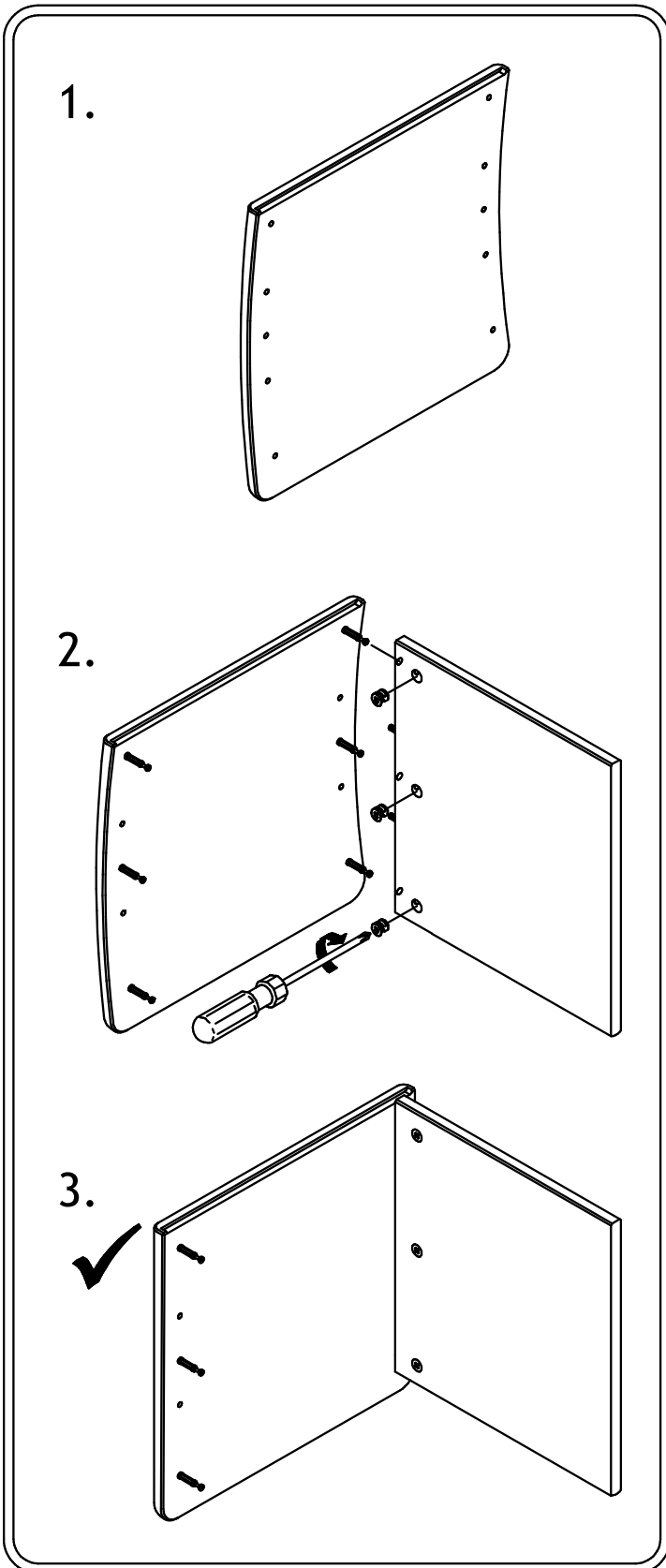
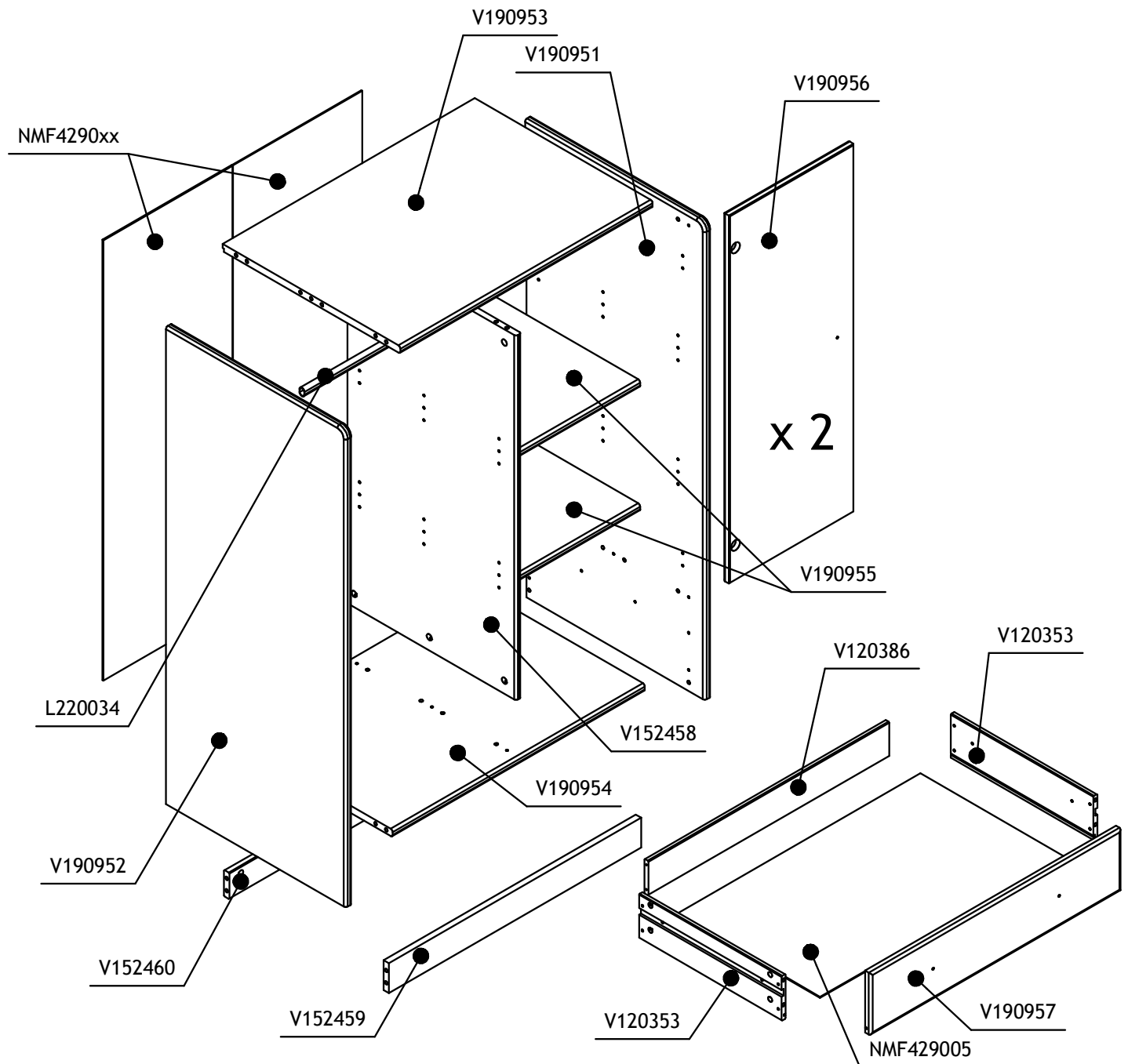


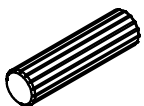
29009913



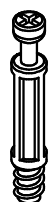




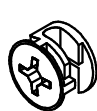
BA10390
ø8x30
28 x A



BA10602
ø5/8X34
26 x B



BA10570
ø15x12
22 x C



BA10830
5/5 m. krave
12 x D



BA10260
ø5,8X11 mm
4 x E



BA10045
3,5x35
4 x F



BA10191
M4x 9 mm
2 x G



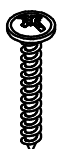
BA10020
ø1,2x16
50 x H



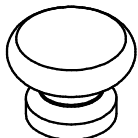
BA10050
3,5x15
10 x I



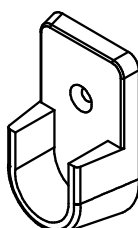
BA10170
4,0x35
4 x J



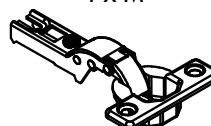
BA10441
ø34x28
4 x K



BA10731
15x25 mm
2 x L



BA10524
ø26x10,5
4 x M



BA10532
0 / 37 mm
4 x N



BA10597
ø12x10,5
4 x O



BA10602
ø5/8X34
16 x B



BA10830
5/5 m. krave
6 x D



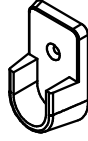
BA10260
ø5,8X11 mm
4 x E



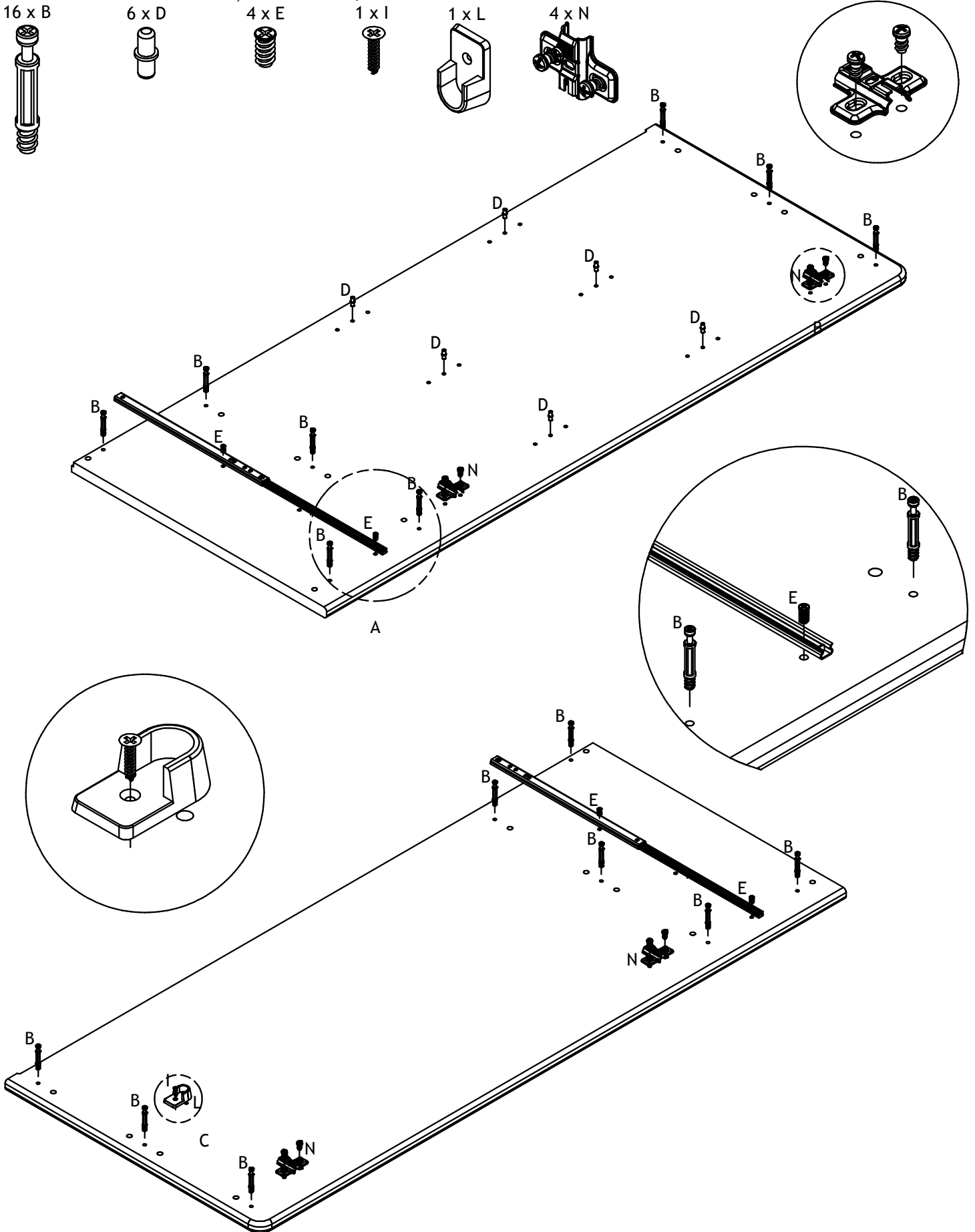
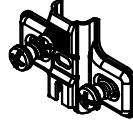
BA10050
3,5x15
1 x I



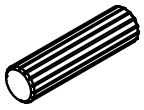
BA10731
15x25 mm
1 x L



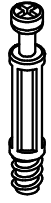
BA10532
0 / 37 mm
4 x N



BA10390
ø8x30
16 x A



BA10602
ø5/8X34
3 x B



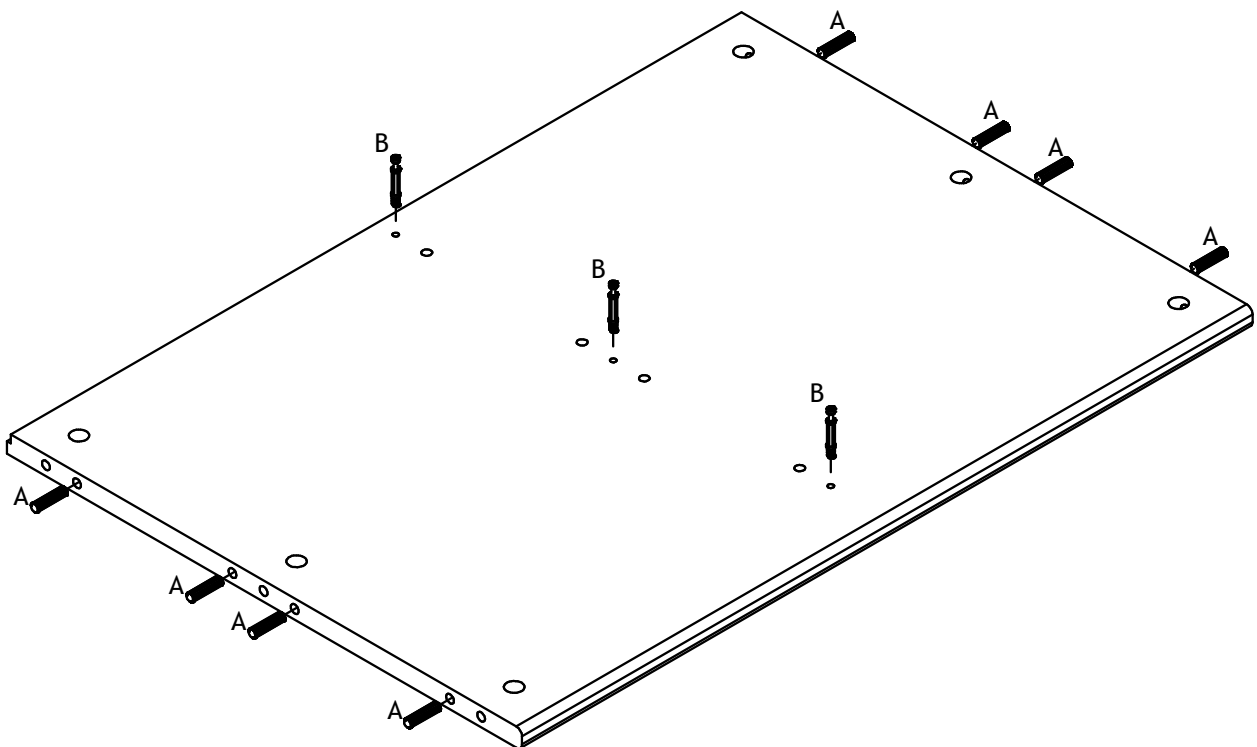
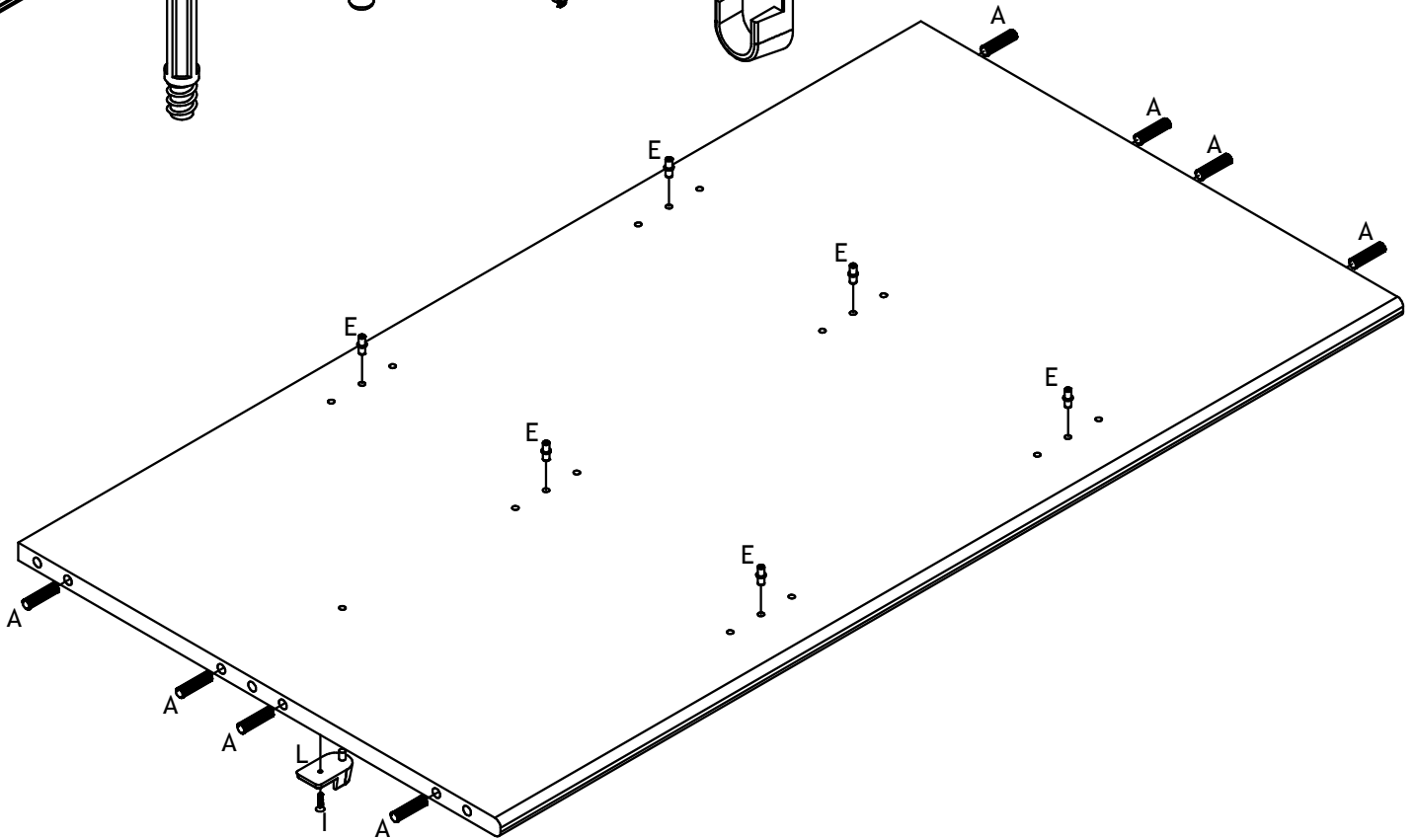
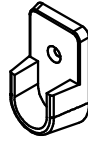
BA10830
5/5 m. krave
6 x D



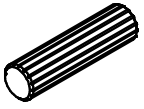
BA10050
3,5x15
1 x I



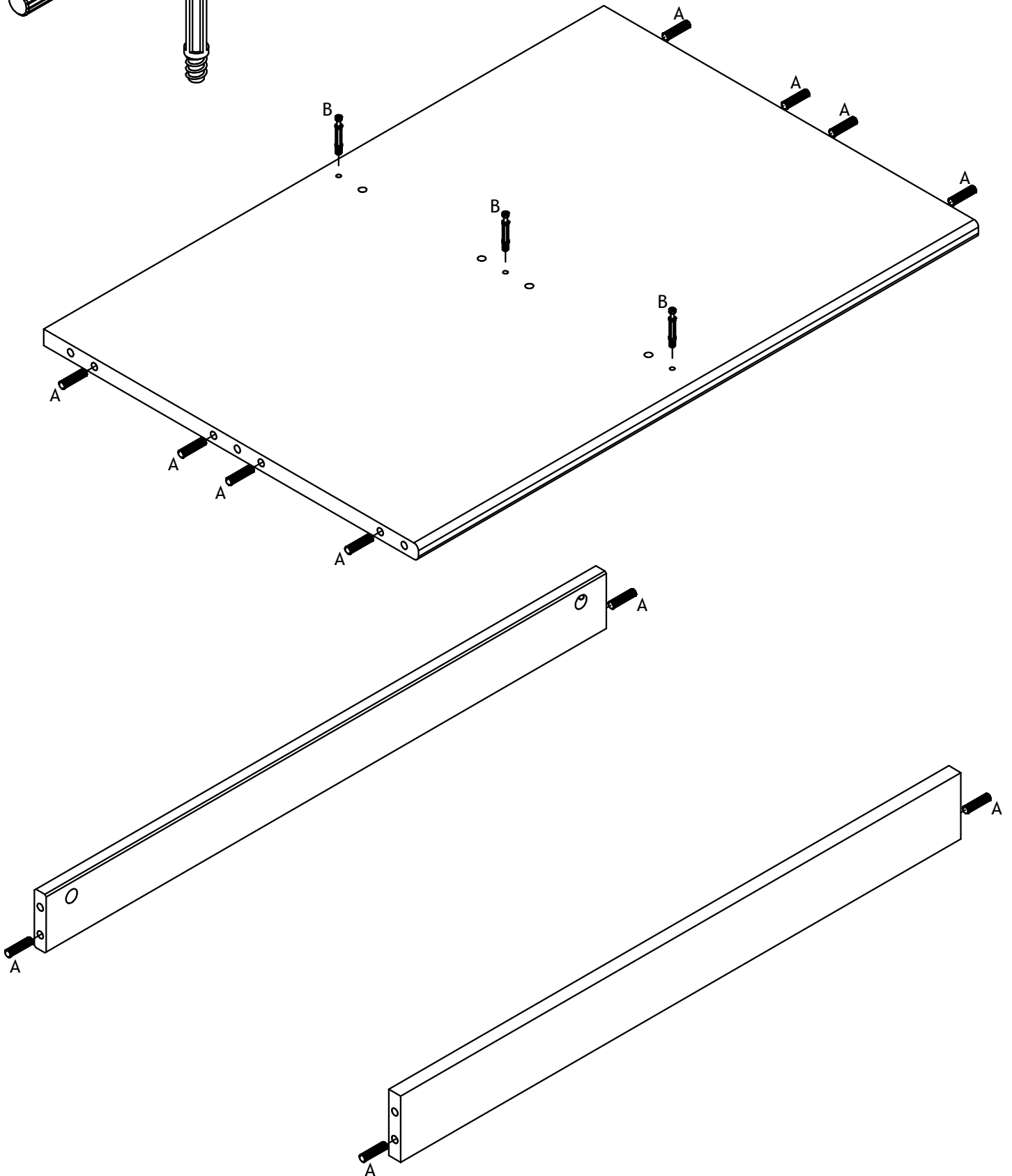
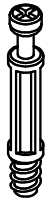
BA10731
15x25 mm
1 x L



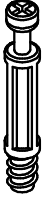
BA10390
ø8x30
12 x A



BA10602
ø5/8X34
3 x B



BA10602
 $\varnothing 5/8 \times 34$
 26 x B



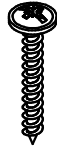
BA10045
 3,5x35
 4 x F



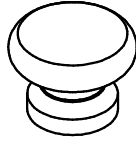
BA10020
 $\varnothing 1,2 \times 16$
 4 x H



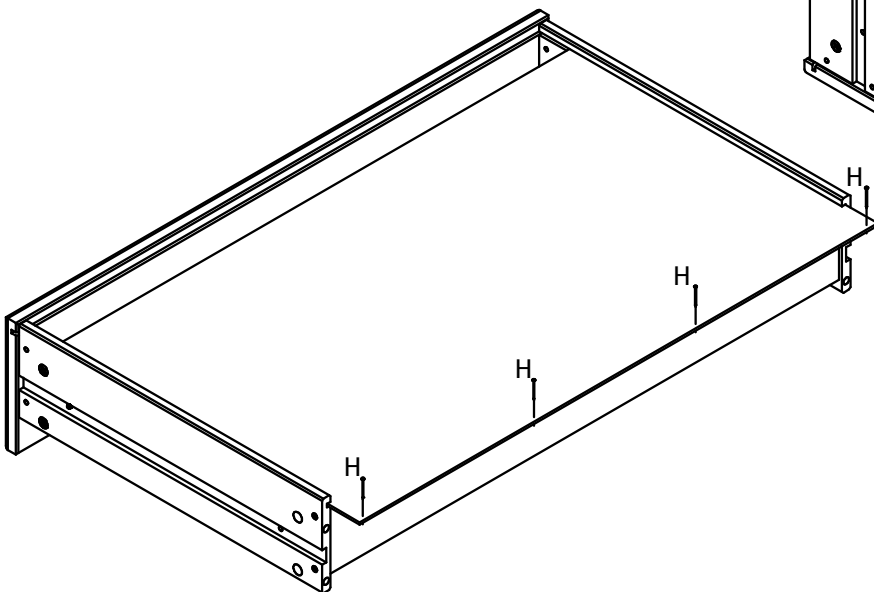
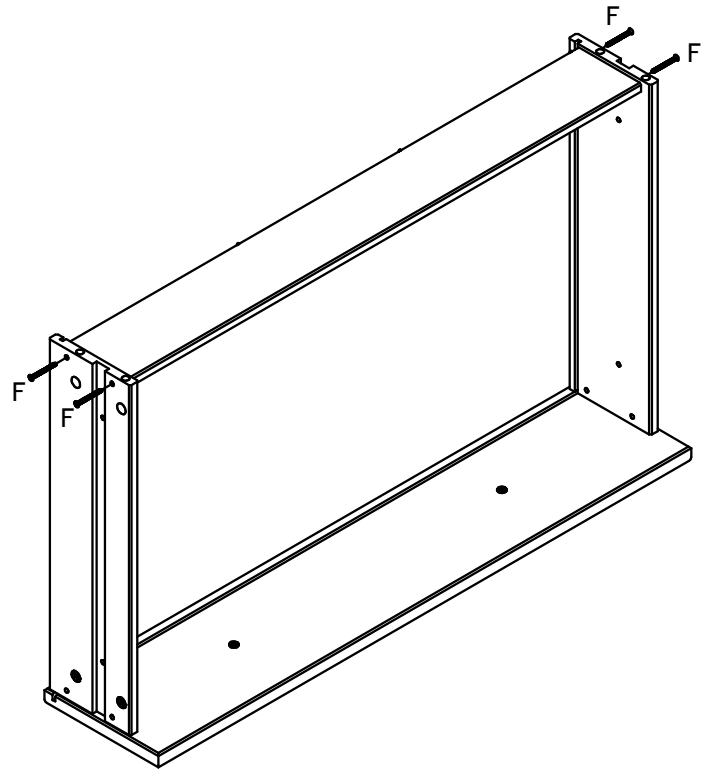
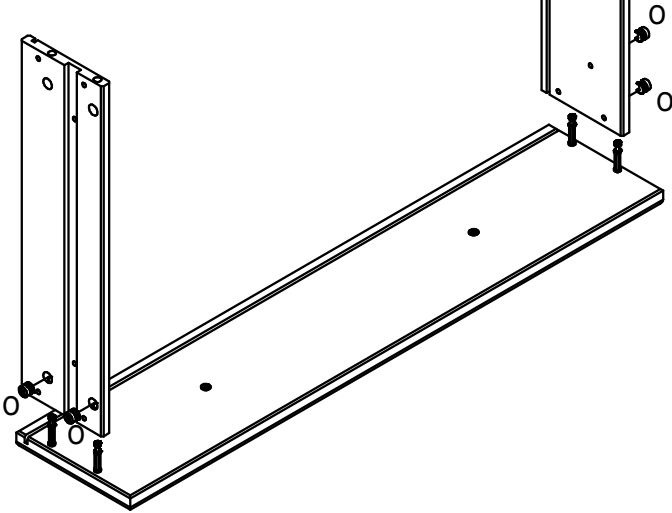
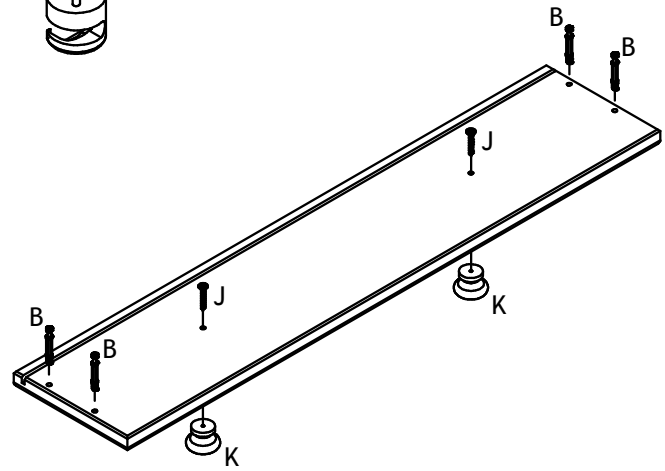
BA10170
 4,0x35
 2 x J



BA10441
 $\varnothing 34 \times 28$
 2 x K



BA10597
 $\varnothing 12 \times 10,5$
 4 x O



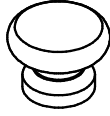
BA10050
3,5x15
8 x I



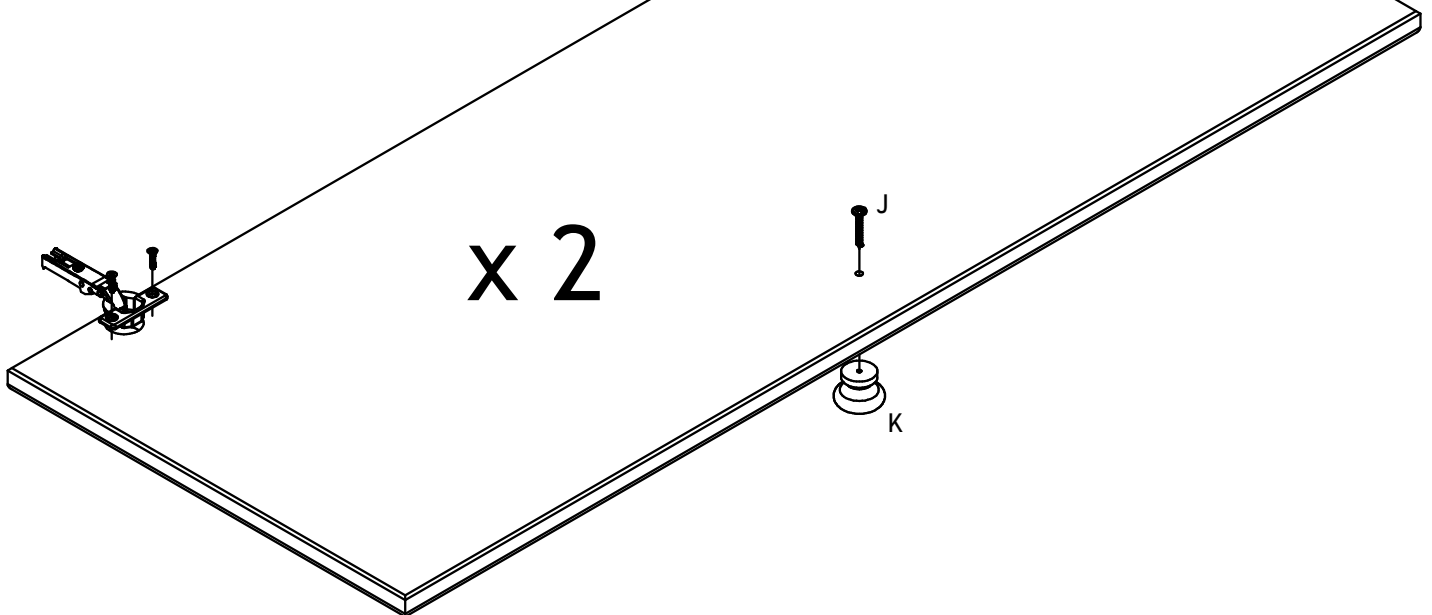
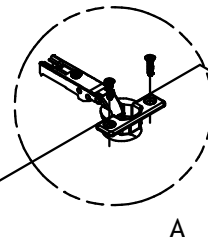
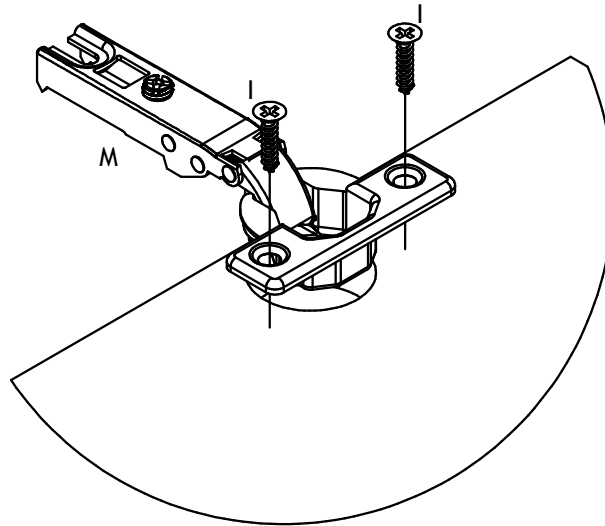
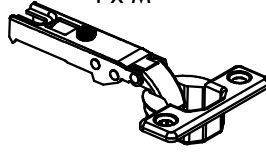
BA10170
4,0x35
2 x J



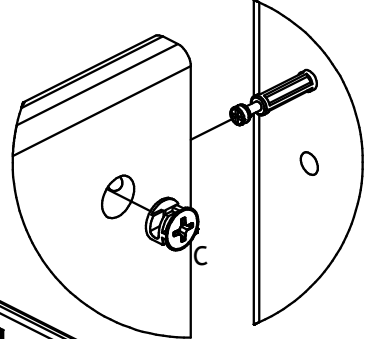
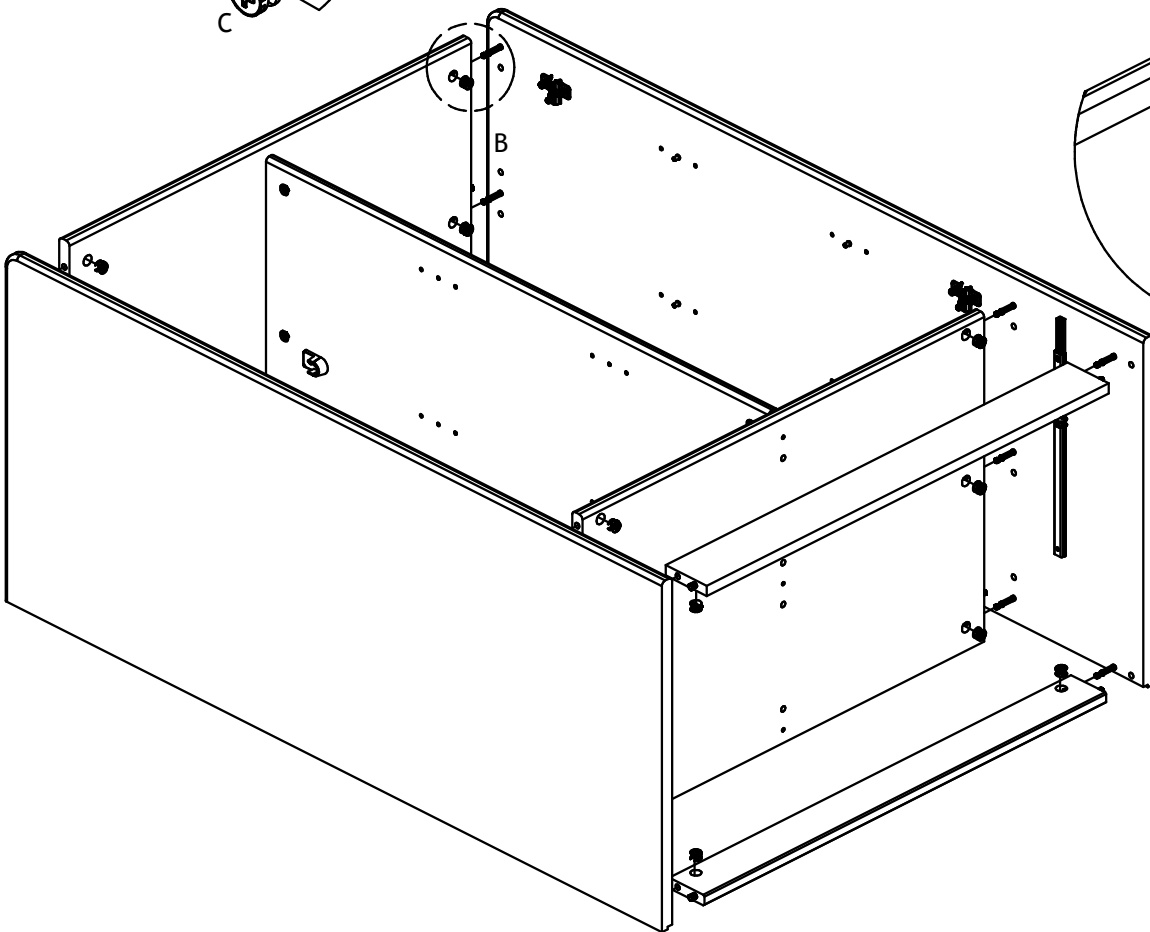
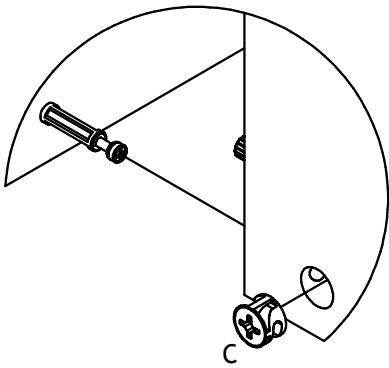
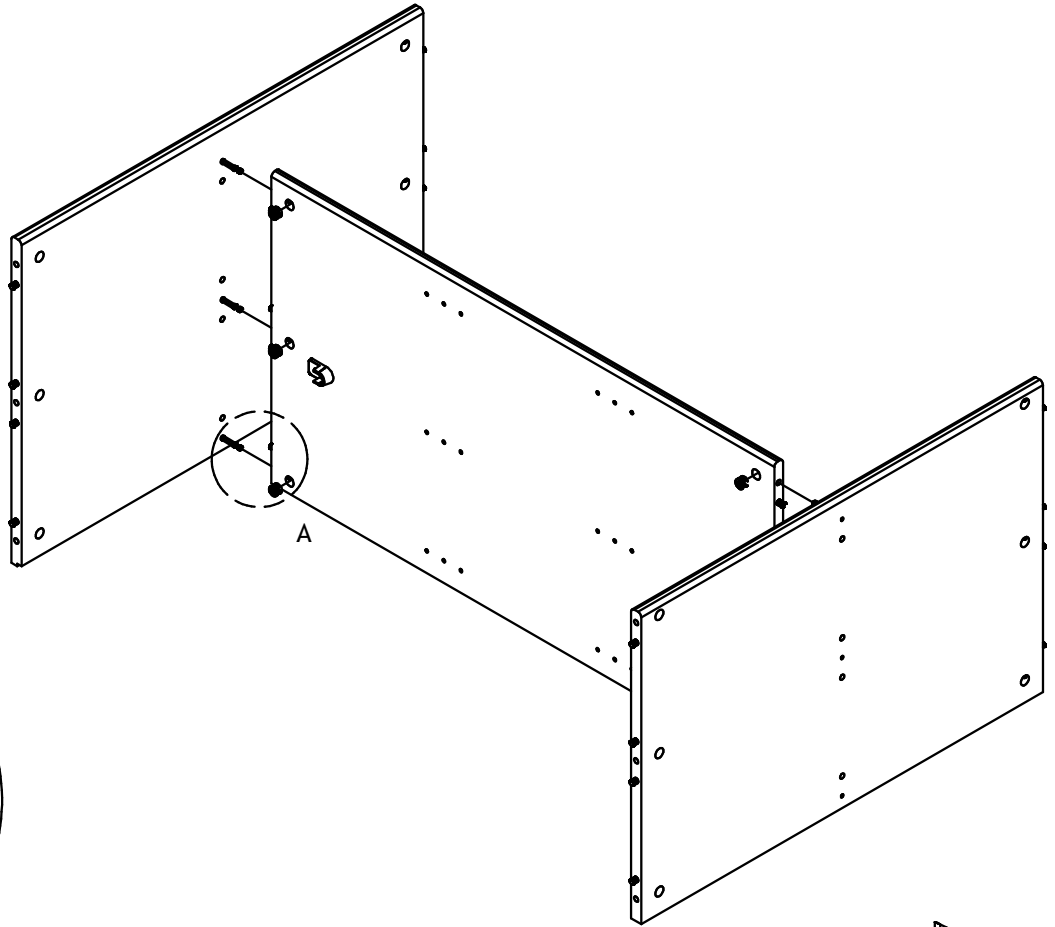
BA10441
ø34x28
2 x K



BA10524
ø26x10,5
4 x M



BA10570
ø15x12
22 x C



BA10191
M4x 9 mm
2 x G



BA10020
ø1,2x16
46 x H

