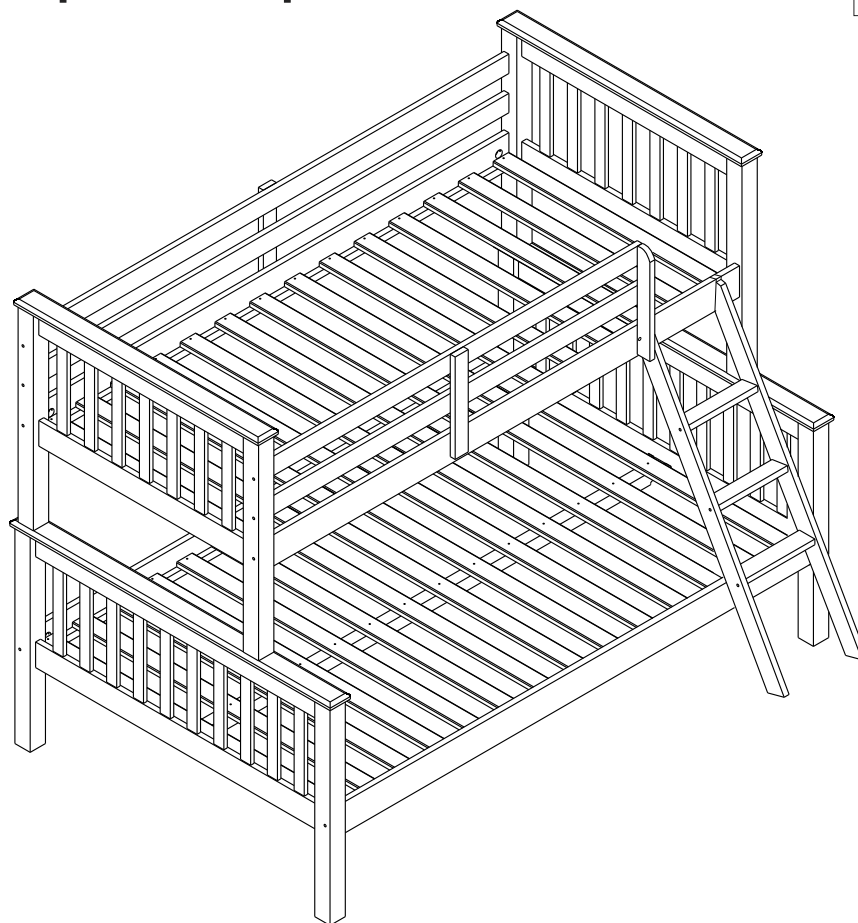


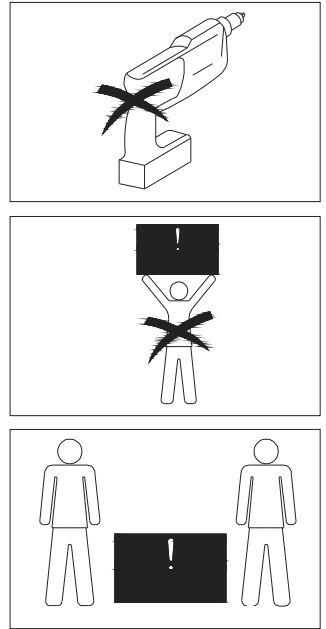
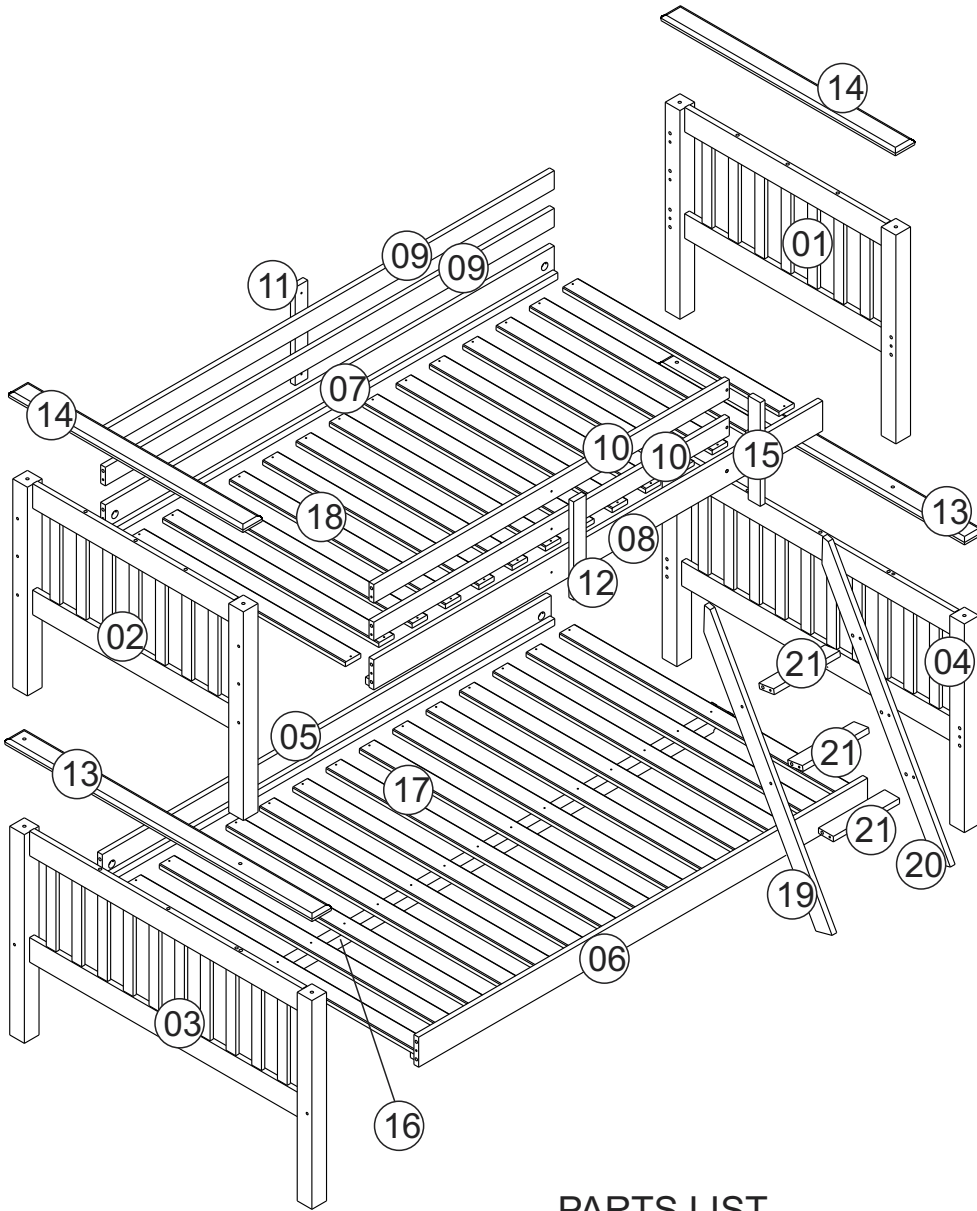
Neptune Triple Sleeper Bunk Bed White

SPD00743



IMPORTANT PLEASE READ BEFORE YOU CONTINUE FURTHER **CARE AND MAINTENANCE**

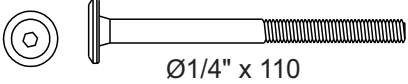
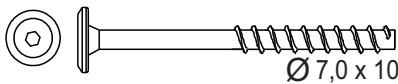

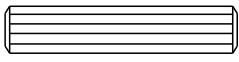
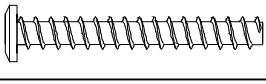
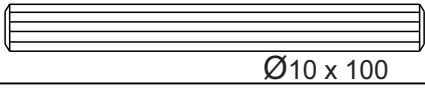
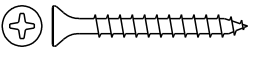
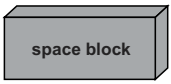
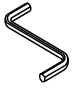
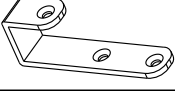
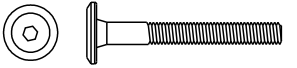
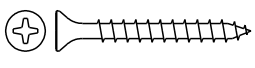
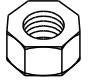
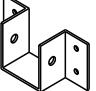
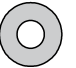


- The upper bed of the bunk is not suitable for children under six years of age due to the risk of injury from falls.
- Strangulation Hazard- never attach or hang items to any part of the bunk bed: for example, hooks, belts, cords, harness ETC.
- The recommended mattress size for this bunk bed is 6'3" x 3' x 6" (1900mm x 915mm x 150mm) .
- The maximum mattress thickness is 6".
- The maximum mattress height is clearly marked on the bunk and **MUST NOT BE EXCEEDED.**
- Children can become trapped between the bed and the wall. To avoid risk of serious injury the distance between the top safety barrier and the wall shall not exceed 75mm or shall be more than 230mm.
- The bunk bed should not be used if any structural part is broken or missing.
- Assemble on a soft clean surface.
- Do not use any tools other than those shown.
- Any spanners or Allen keys required are included with the fittings kit.
- Do not for any reason use a power tool to assemble this product. its use will invalidate any claim you may have and could make this product unsafe.
- Assembly fixings should always be tightened properly and care should be taken that no fittings are loose.
- Depending on the amount of use this product receives it may be necessary to tighten up the fixings from time to time. This is completely normal for any flat pack furniture. **DO NOT OVERTIGHTEN FIXINGS.**
- Two persons required to assemble this product.
- For cleaning you may use a damp cloth (not wet).
- This bunk is manufactured to conform to BS EN 747-2012.

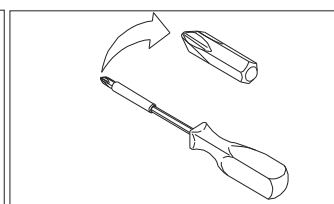
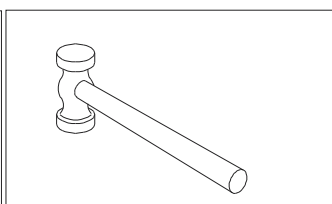
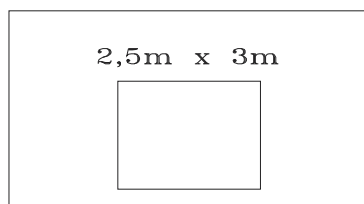
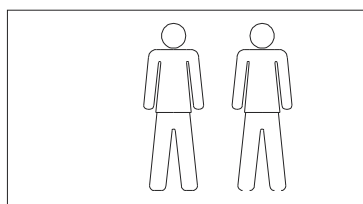


PARTS LIST

part number	name of part	quantity	part number	name of part	quantity
01	Top Ladder Side Headboard	01	13	Bottom Headboard plinth	02
02	Top Headboard	01	14	Top headboard Plinth	02
03	Bottom Headboard	01	15	Ladder Support Brace	01
04	Bottom Ladder Side Headboard	01	16	Centre Support Rail	01
05	Bottom Back Side Rail	01	17	4' Slats	14
06	Bottom Front Side Rail	01	18	3' Slats	14
07	Top Back Side Rail	01	19	Left Ladder Section	01
08	Top Front Side Rail	01	20	Right Ladder Section	01
09	Long Safety Rail	02	21	Ladder Step	03
10	Short Safety Rail	02	22		
11	Back Support Brace	01	23		
12	Front Support Brace	01	24		

FITTINGS LIST

A	 $\text{Ø}1/4" \times 110$	08	J	 $\text{Ø}7,0 \times 100 \text{ mm}$	06
B	 1/4"	08	K	 $\text{Ø}10 \times 40$	46
C	 $\text{Ø}7,0 \times 50 \text{ mm}$	09	L	 $\text{Ø}10 \times 100$	04
D	 $\text{Ø}3,5 \times 25$	70	M	 space block	02
E	ALLEN KEY 	01	N		02
F	 $\text{Ø}1/4" \times 60$	02	O	 $\text{Ø}4 \times 35$	12
G	 1/4"	02	P		02
H		02	Q		02
I	 $\text{Ø}3,5 \times 14$	16			



!

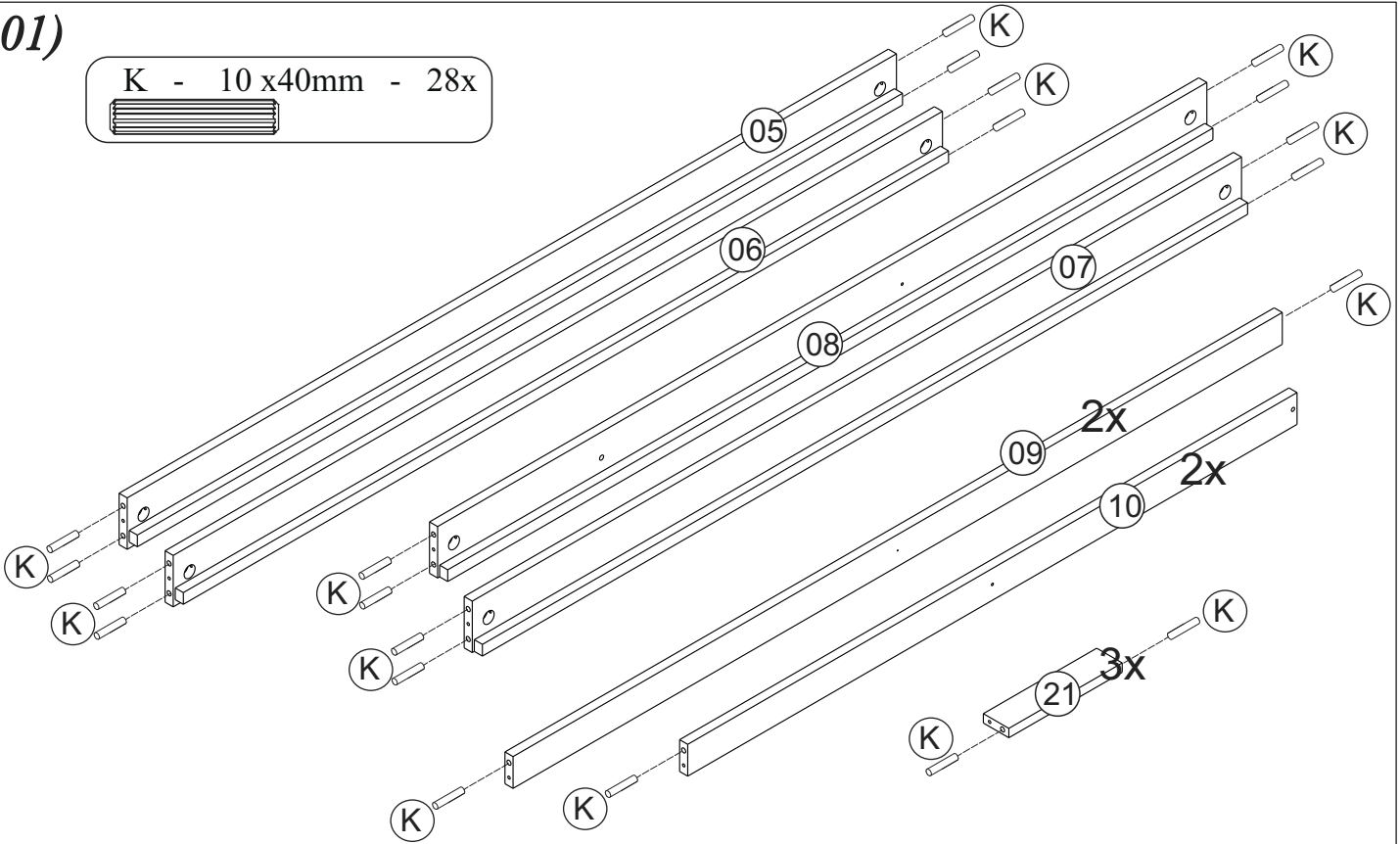
- * Use of power tools to assemble this product will invalidate any claim and damage this product making it unsafe !!!
- * Please assemble on a clean soft surface to avoid damage.

!

- * Please check contents and read the instructions before commencing assembly.
- * Assemble this product following the enclosed instructions carefully.
- * Please take care to avoid damaging panels during assembly.

01)

K - 10 x40mm - 28x

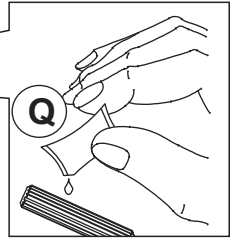
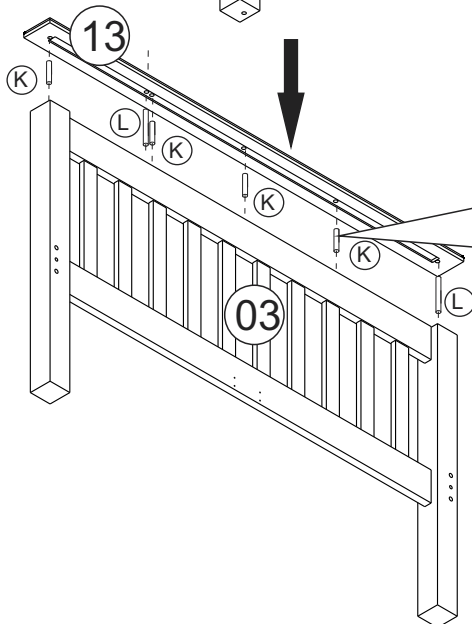
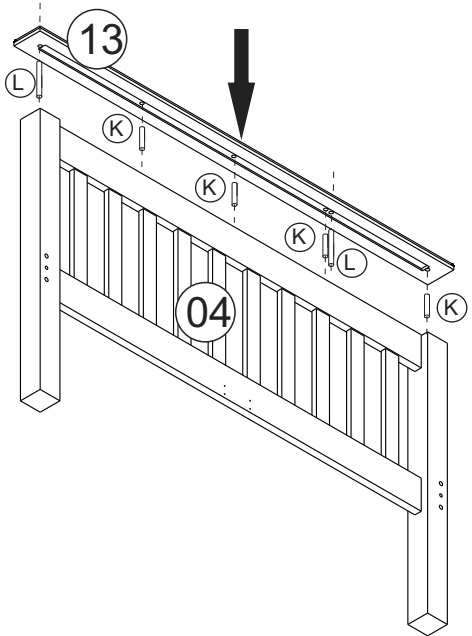
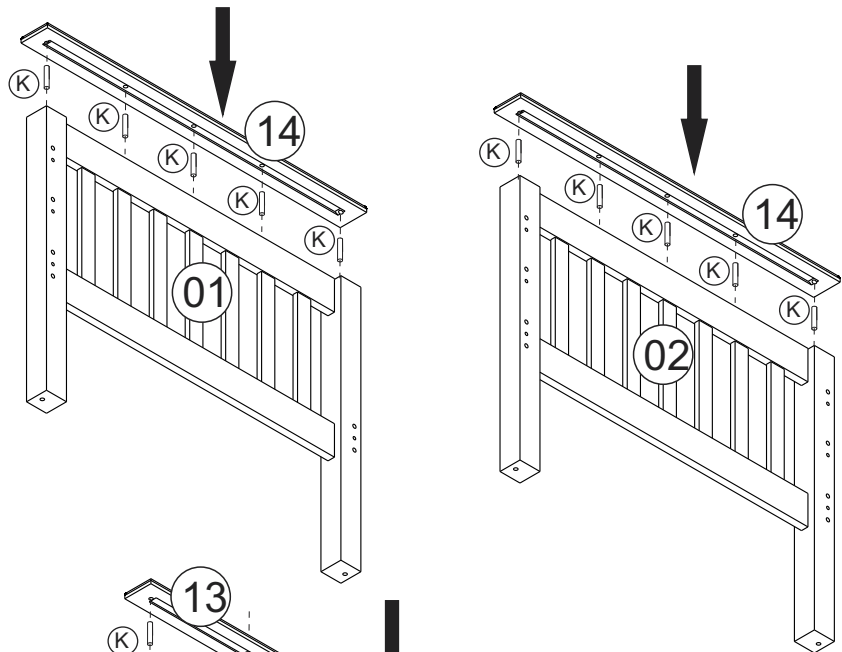


02)

K - 10 x40mm - 18x

L - 10 x100mm - 04x

Q - 2x

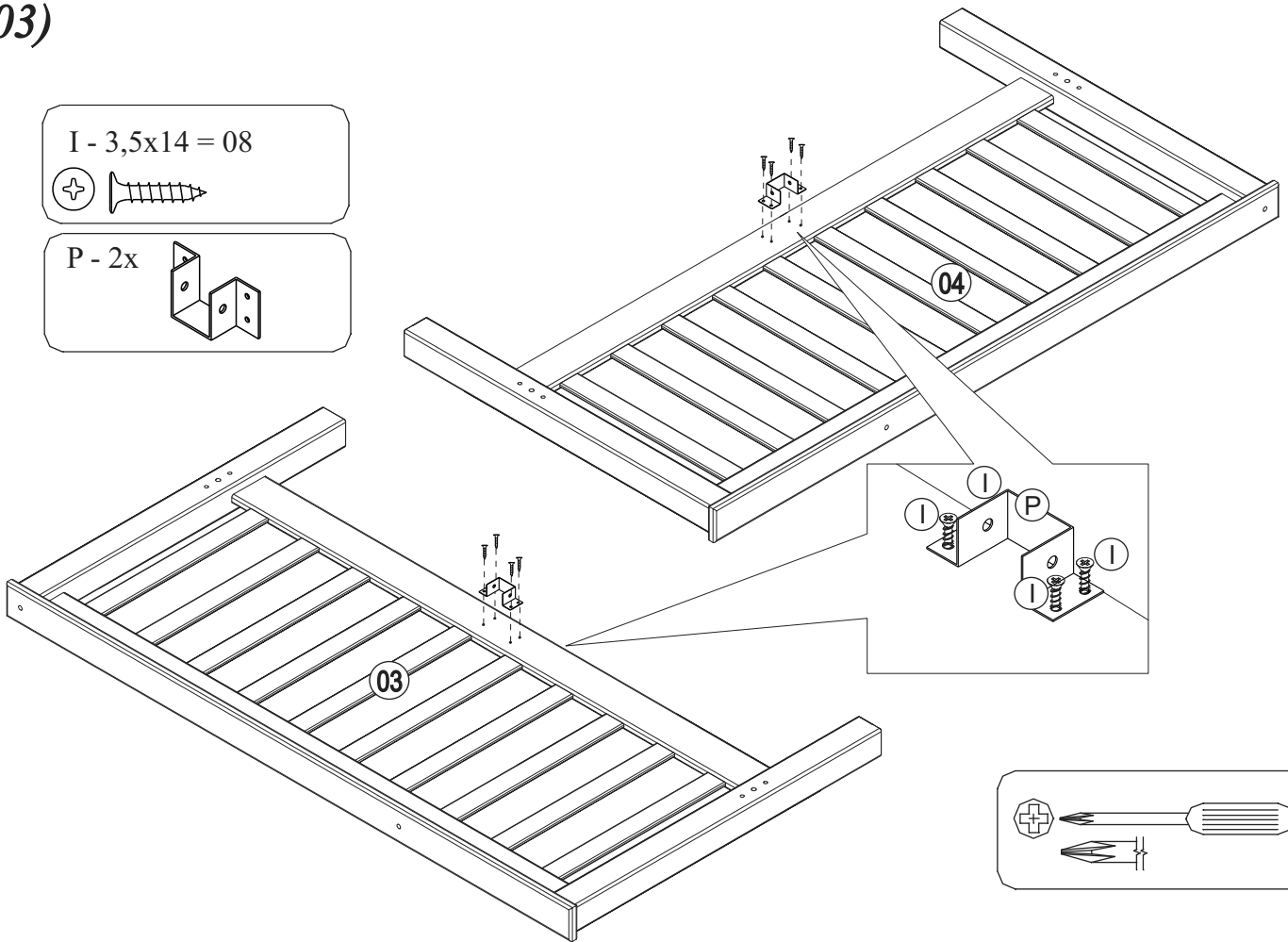
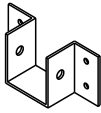


03)

I - 3,5x14 = 08



P - 2x

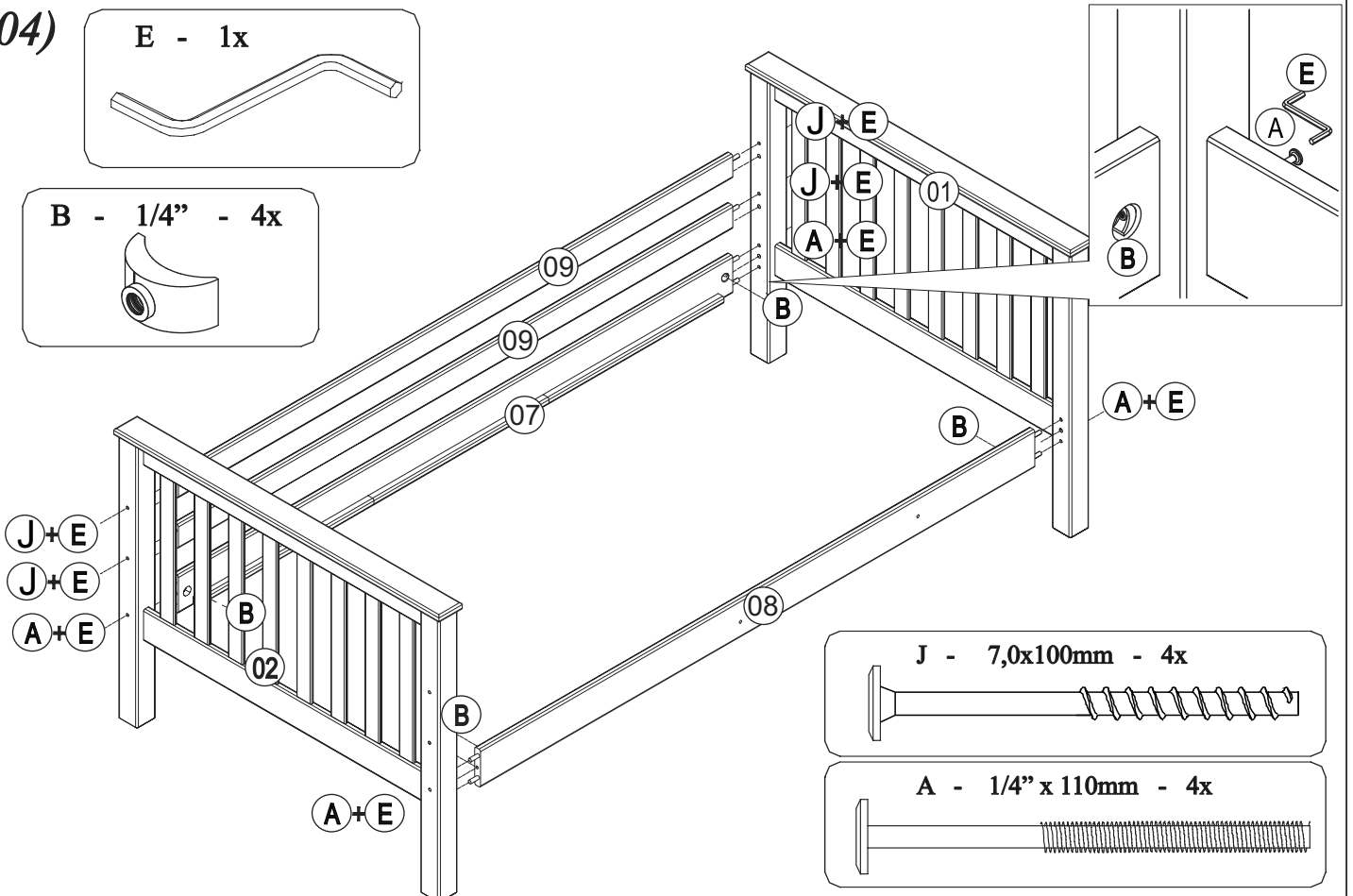
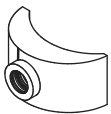


04)

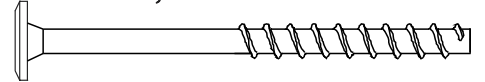
E - 1x



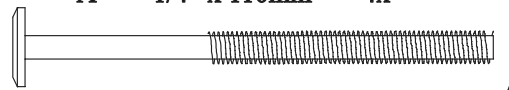
B - 1/4" - 4x



J - 7,0x100mm - 4x

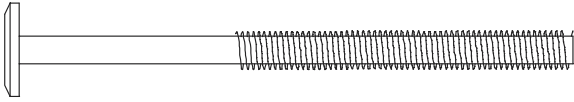


A - 1/4" x 110mm - 4x

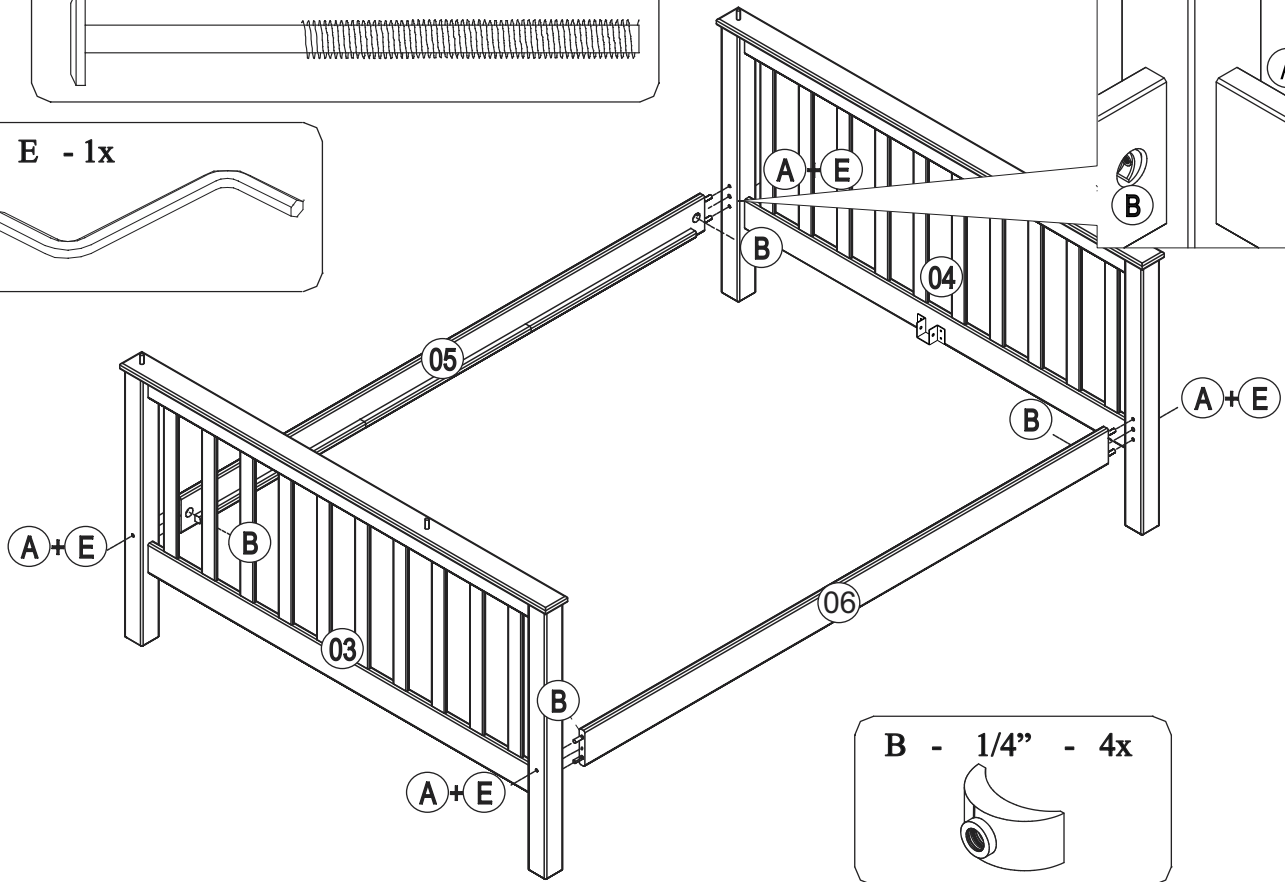
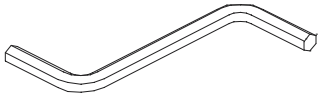


05)

A - 1/4" x 110mm - 4x



E - 1x

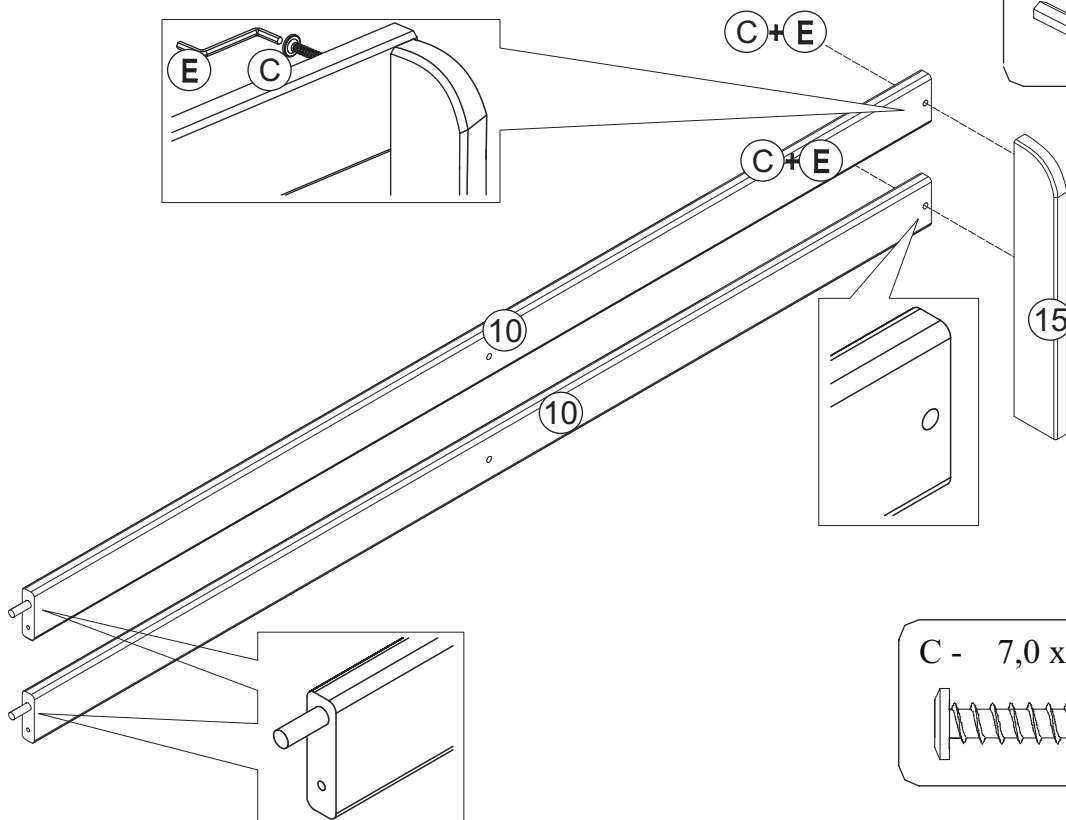
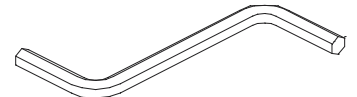


B - 1/4" - 4x

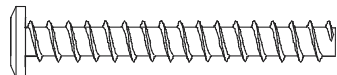


06)

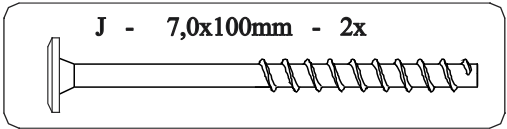
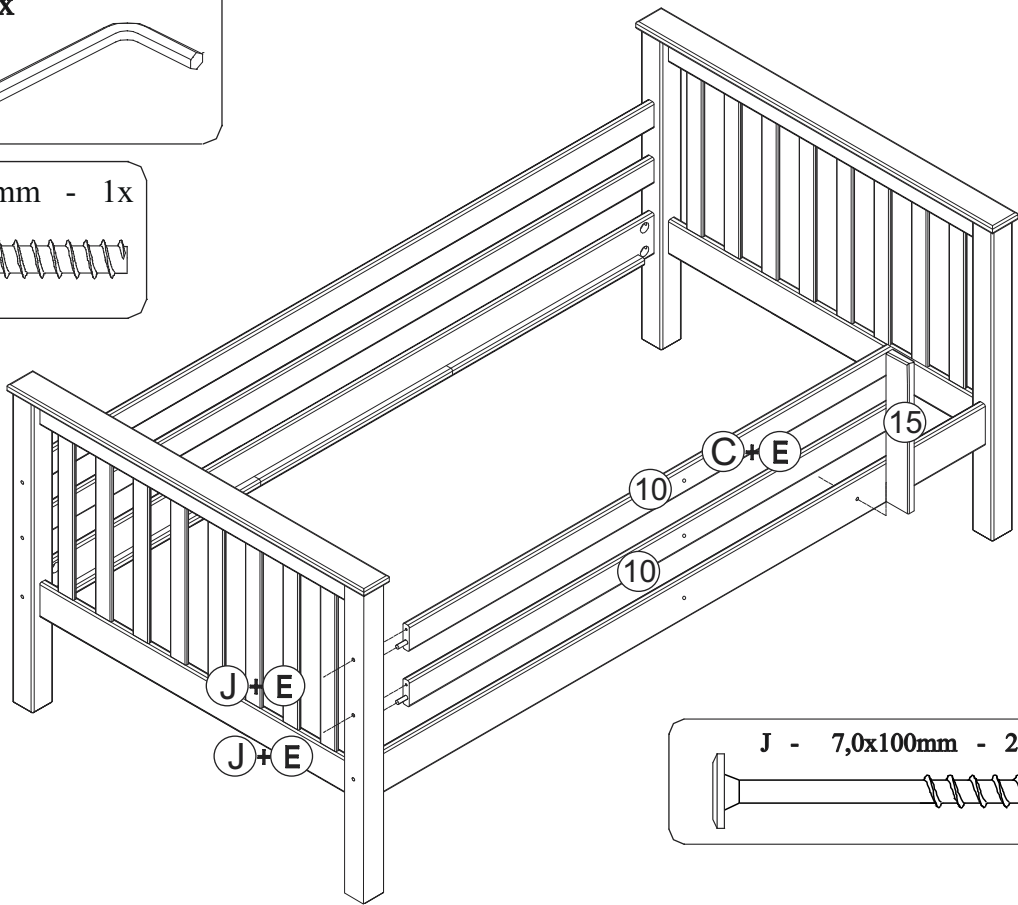
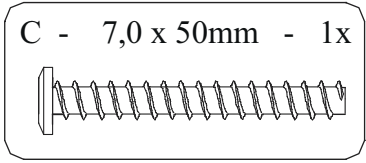
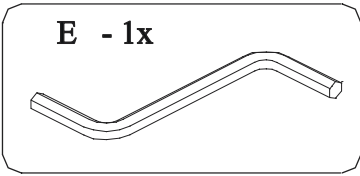
E - 1x



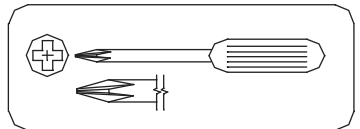
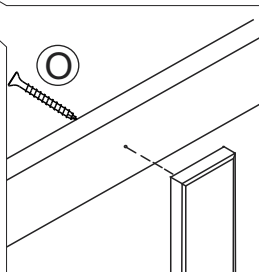
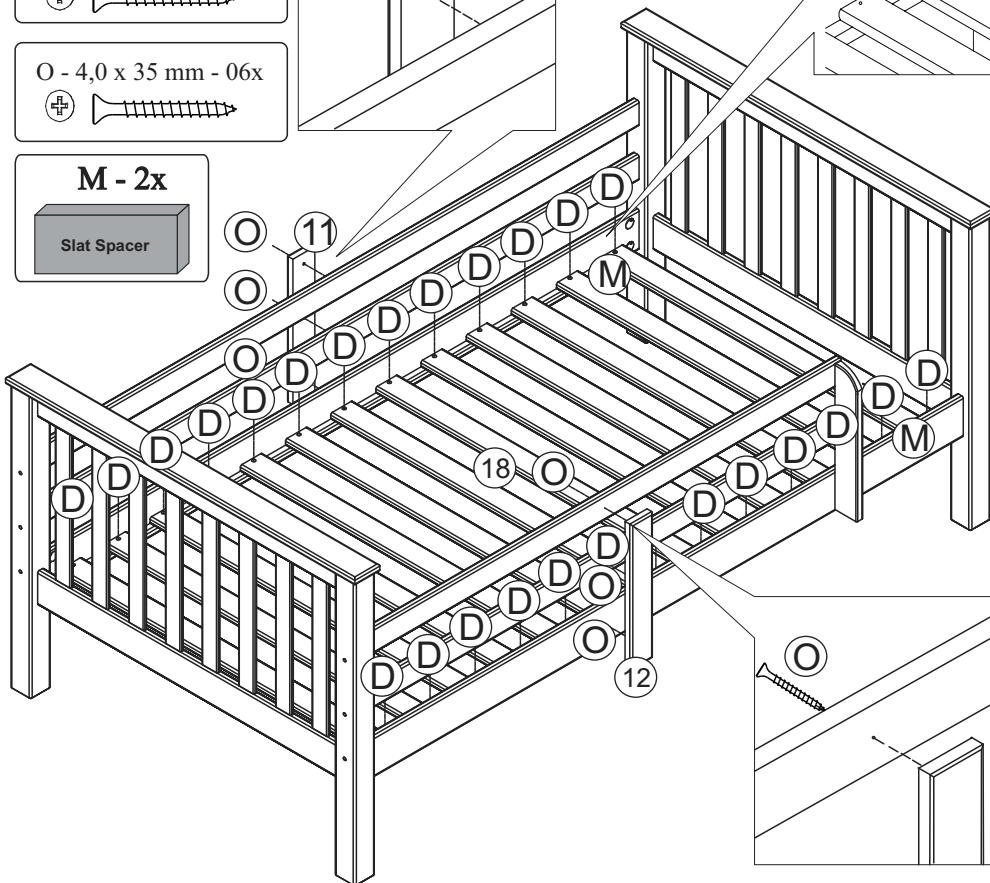
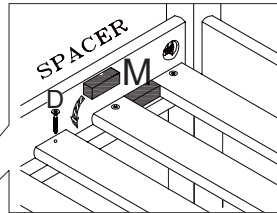
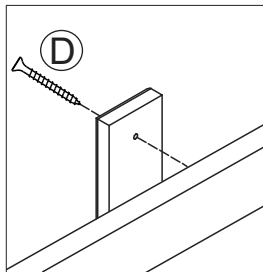
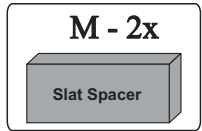
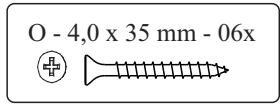
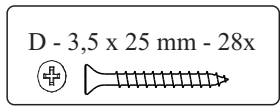
C - 7,0 x 50mm - 2x



07)



08)

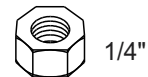


09)

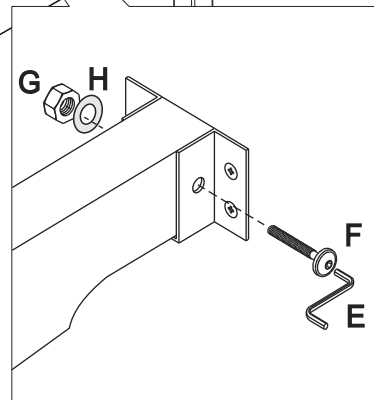
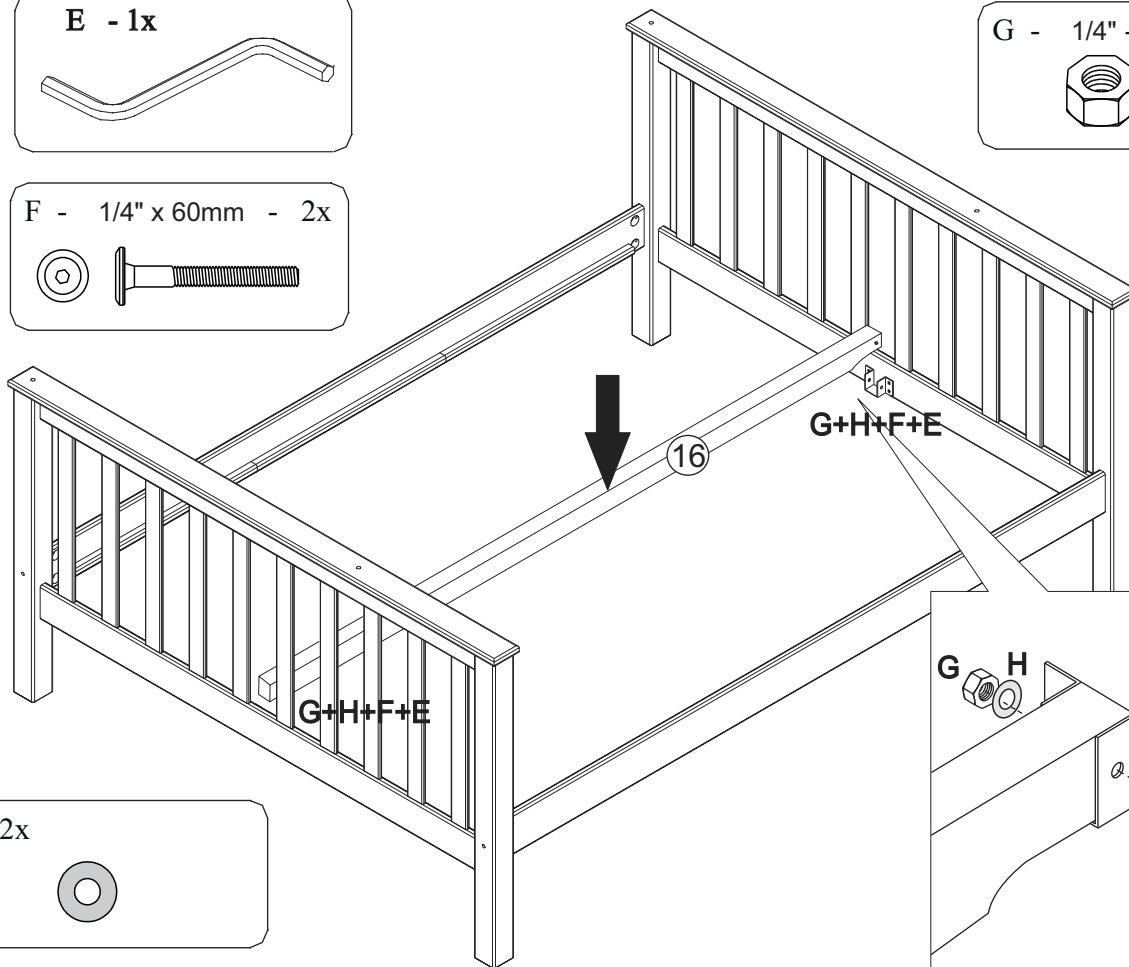
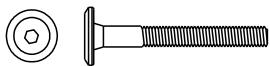
E - 1x



G - 1/4" - 2x



F - 1/4" x 60mm - 2x



H - 2x

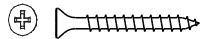


10)

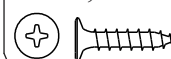
D - 3,5 x 25 mm - 42x



O - 4,0 x 35 mm - 06x

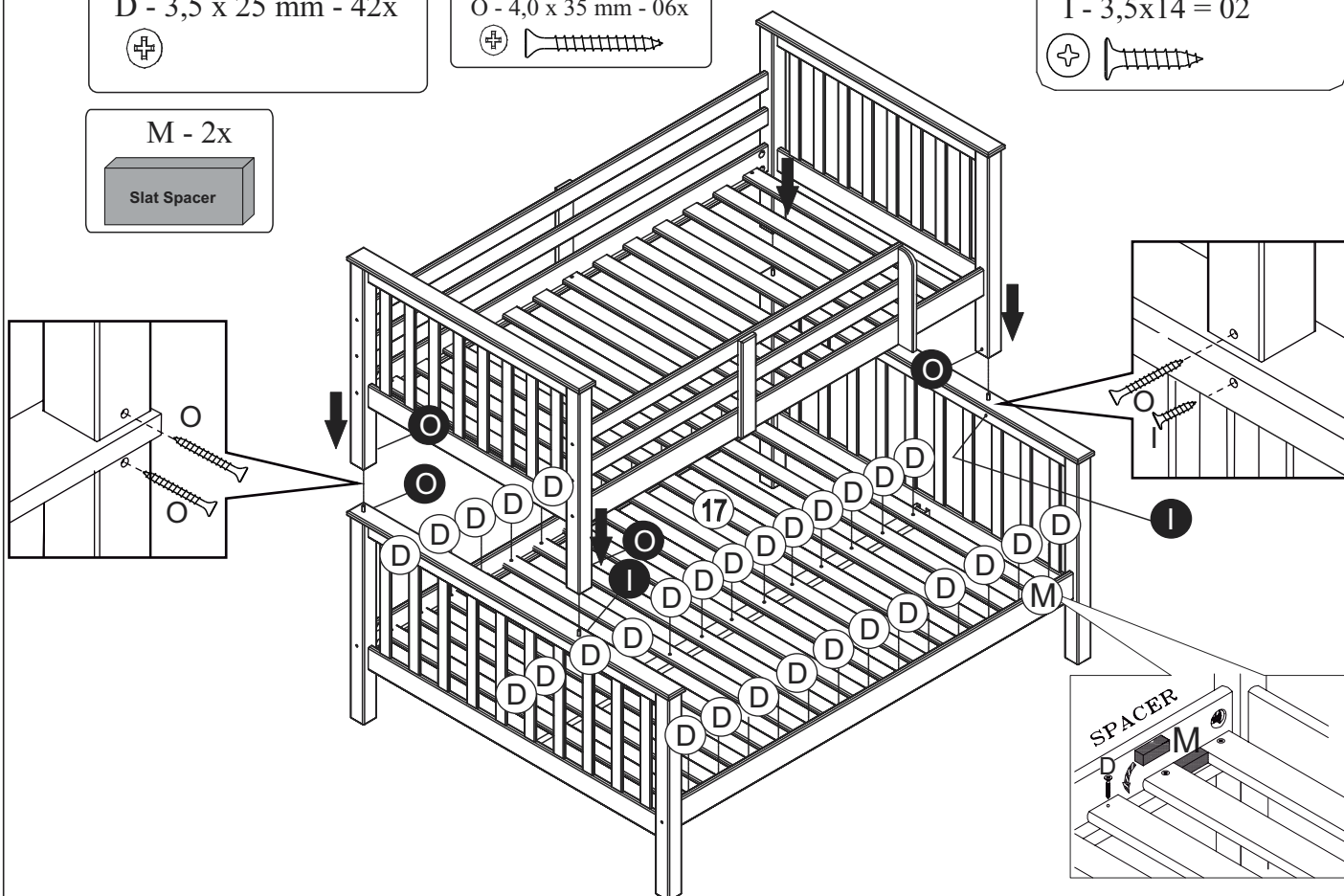
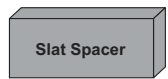


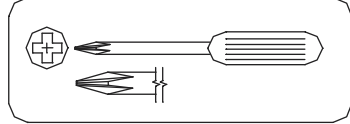
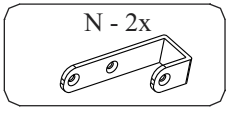
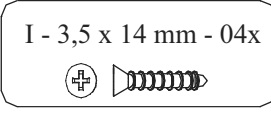
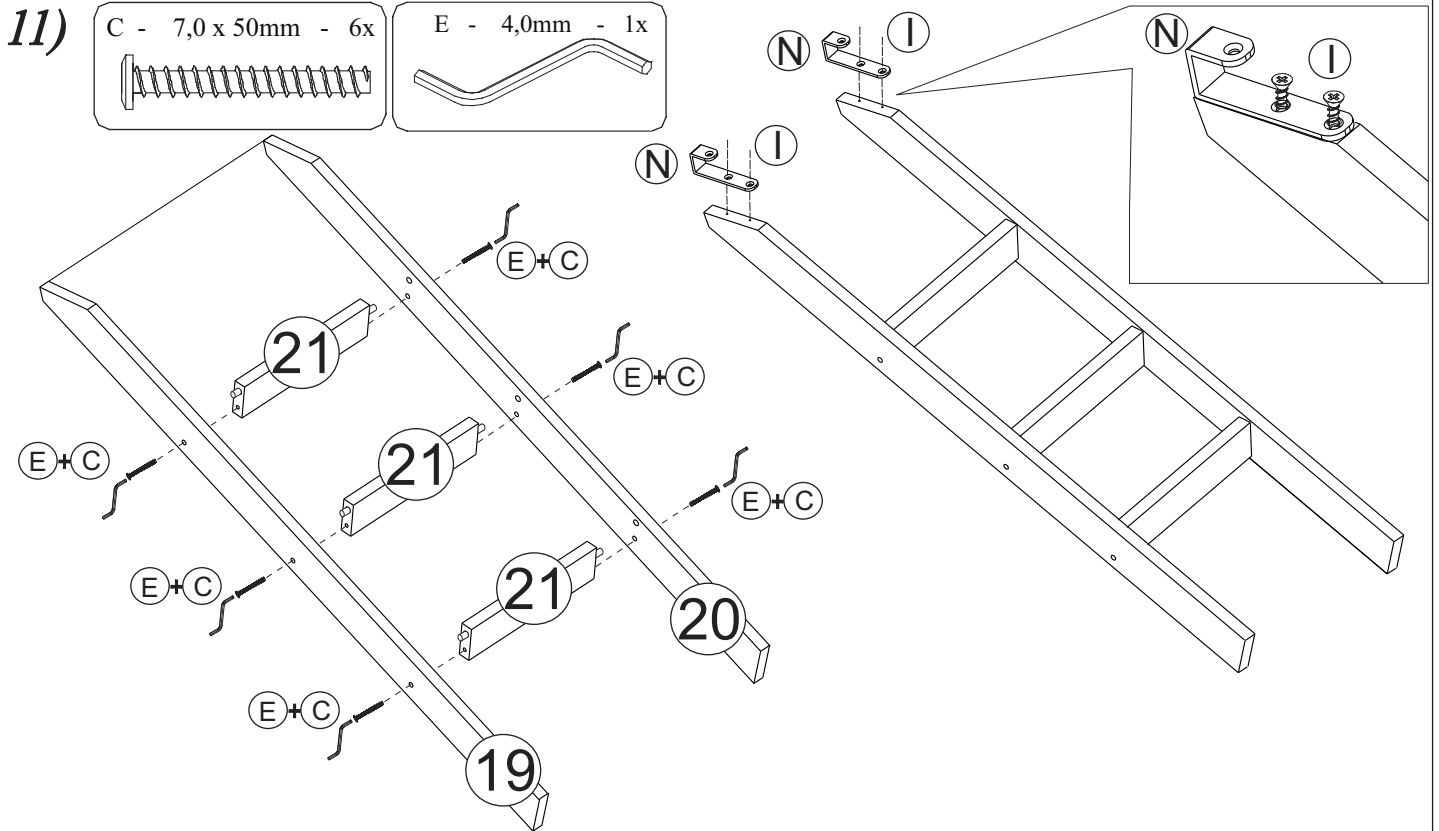
I - 3,5x14 = 02



M - 2x

Slat Spacer





12)

