

# Panama 2 Door Wardrobe

## ASSEMBLY INSTRUCTIONS

Is for domestic use and  
strictly not for contract use.

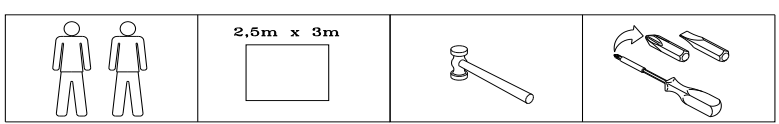
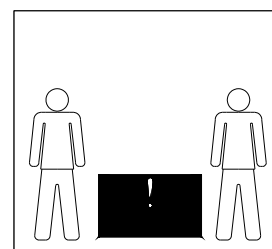
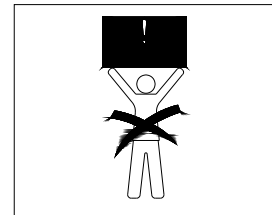
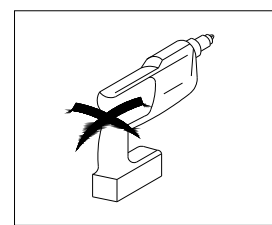
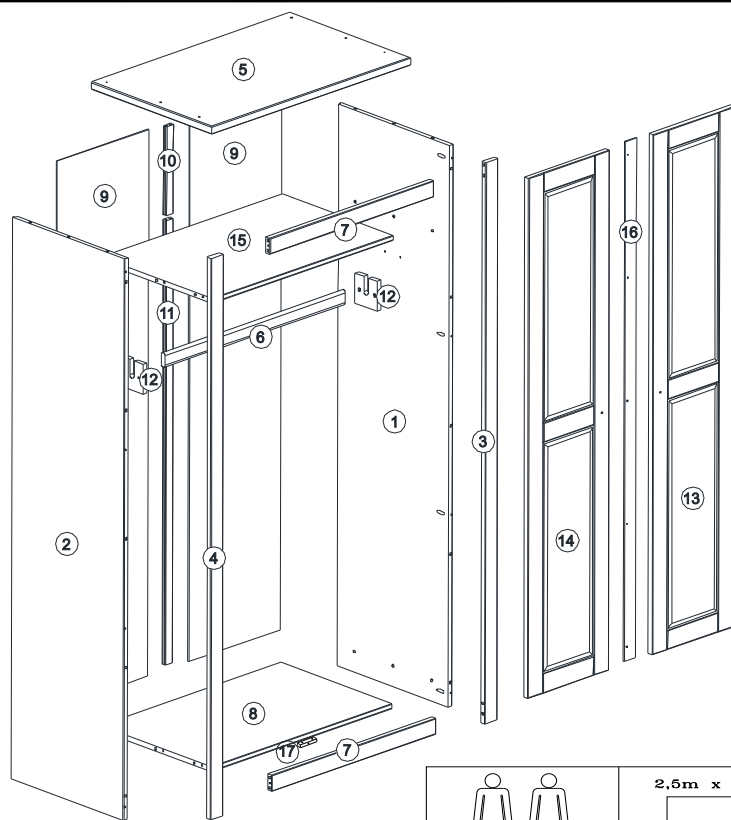


**IMPORTANT**  
**PLEASE READ BEFORE YOU CONTINUE FURTHER**

## CARE AND MAINTENANCE

After unpacking this product please keep the original packaging in case it needs to be returned for any reason.

- Please ensure all fittings and parts are present before commencing with assembly.
- We recommend that you lay a blanket or sheet on the floor to avoid damage to both your floor and the product.
- We strongly recommend that you keep children away from your work area.
- Assemble this product as close to its final position as possible.
- Never drag or push products as this could cause damage to the joints making it inferior.
- Do not place this product next to a radiator or in direct sunlight.
- Wood is a natural product and may expand if subjected to damp and may shrink or crack if subjected to heat. Therefore it is recommended that room temperature is maintained, with no sudden temperature fluctuations.
- Make sure any spillage is wiped off immediately.
- Do not place hot or chilled items directly on to the surface, use a place mat or marking will occur.
- For general cleaning use a duster, and do not use detergents of any kind. However, the surface will need to be retreated from time to time. This can be done by using block wax (unperfumed) and rubbing it over the whole item.
- From time to time it may be necessary to tighten fittings, regular inspections should be carried out.



**!**  
 \* Use of power tools to assemble this product will invalidate any claim and damage this product making it unsafe !!!  
 \* Please assemble on a clean soft surface to avoid damage.

**!**  
 \* Please check contents and read the instructions before commencing assembly.  
 \* Assemble this product following the enclosed instructions carefully.  
 \* Please take care to avoid damaging panels during assembly.

**PARTS LIST**

1	Right side panel	01
2	Left side panel	01
3	Right front upright	01
4	Left front upright	01
5	Top panel	01
6	Hanger	01
7	Front crossbeam	02
8	Base	01

9	Back panel	02
10	Back strut ( UPPER )	01
11	Back strut ( BOTTOM )	01
12	Hanging rail support	02
13	Right door	01
14	Left door	01
15	Fixed shelf	01
16	Door strip	01
17	Support Block	01

**FITTINGS**

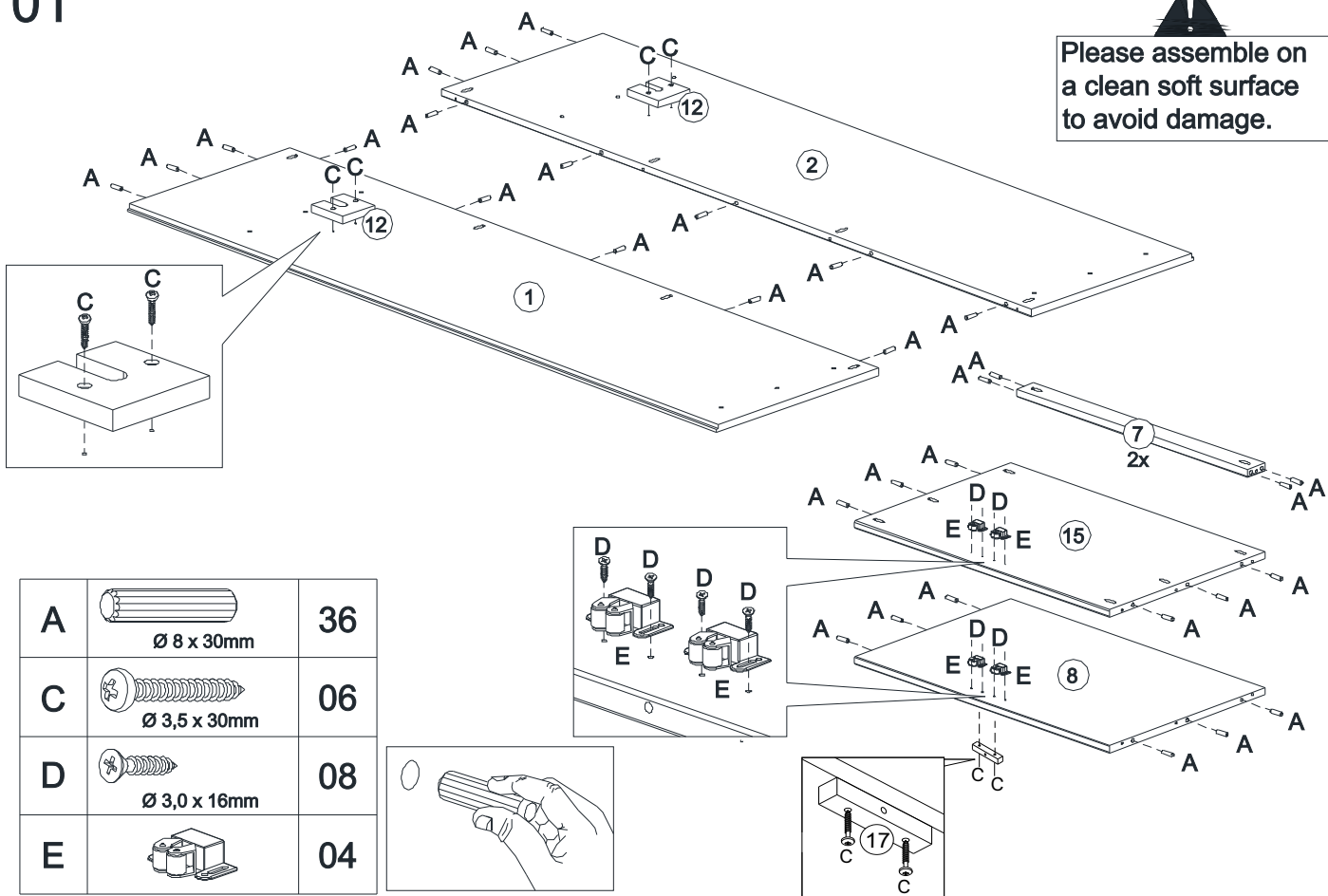
A	Ø 8 x 30mm	36
B	Ø 4,0 x 40mm	06
C	Ø 3,5 x 30mm	31
D	Ø 3,0 x 16mm	45
E		04





G	M4 x 22mm	02
H	Right	03
I	Left	03
J	10x10mm	46
F		02

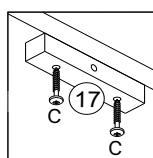
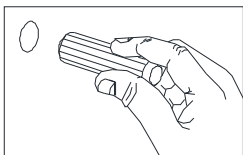
# 01



Please assemble on a clean soft surface to avoid damage.



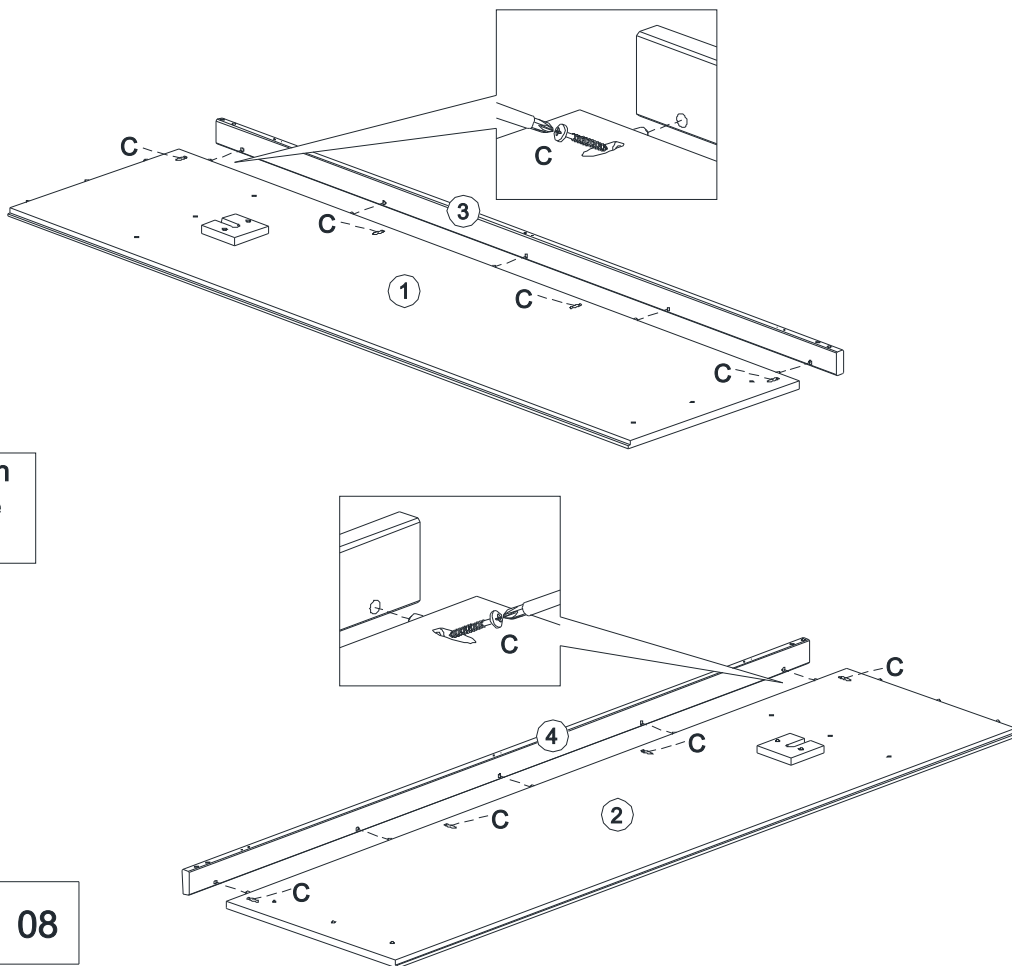
A	 Ø 8 x 30mm	36
C	 Ø 3,5 x 30mm	06
D	 Ø 3,0 x 16mm	08
E		04




# 02

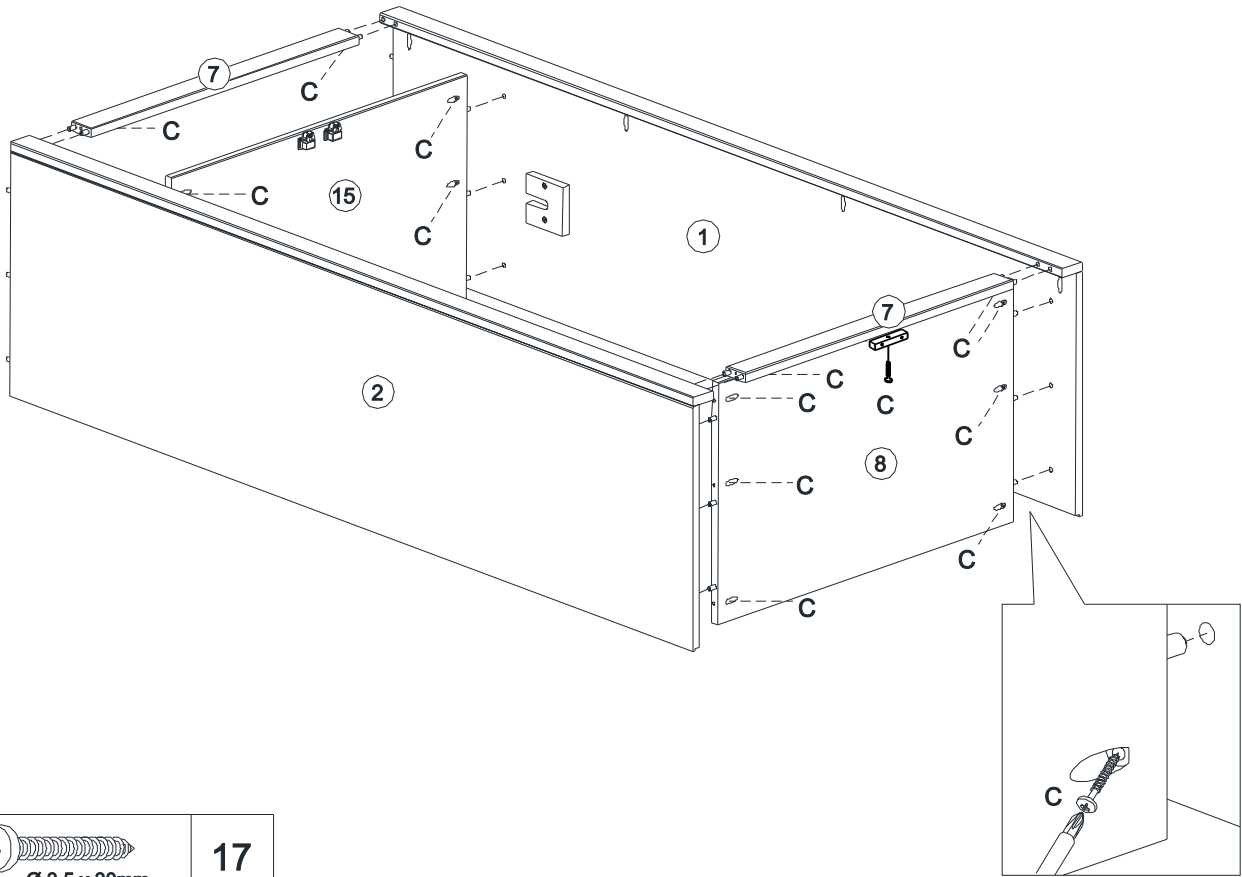


Please assemble on a clean soft surface to avoid damage.

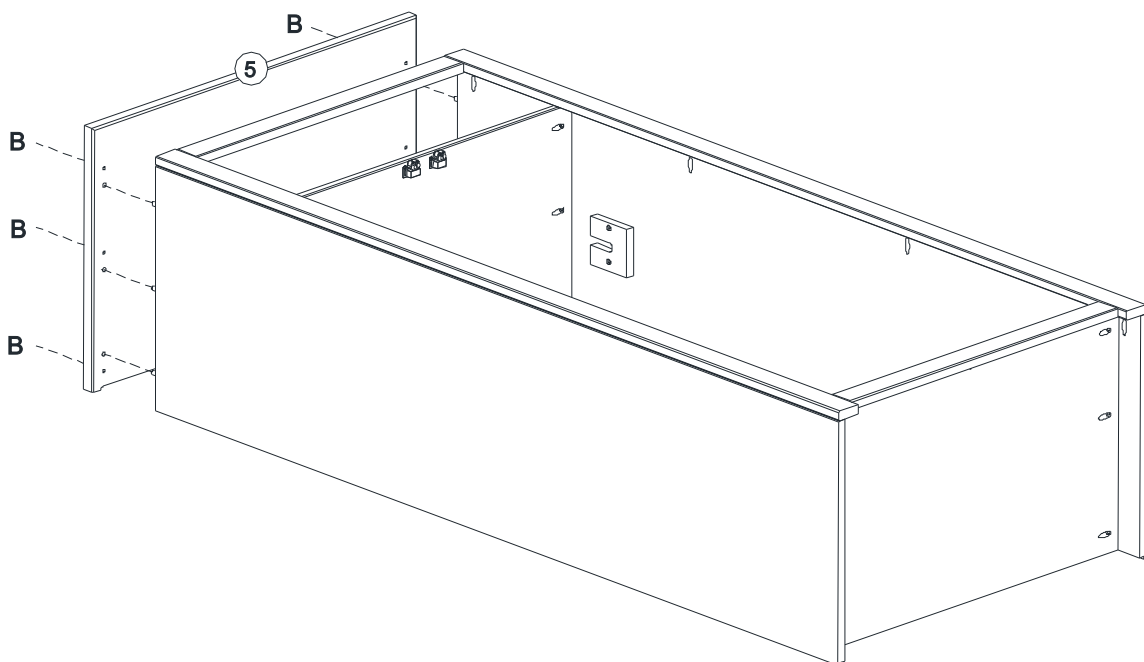


C	 Ø 3,5 x 30mm	08
---	---	----

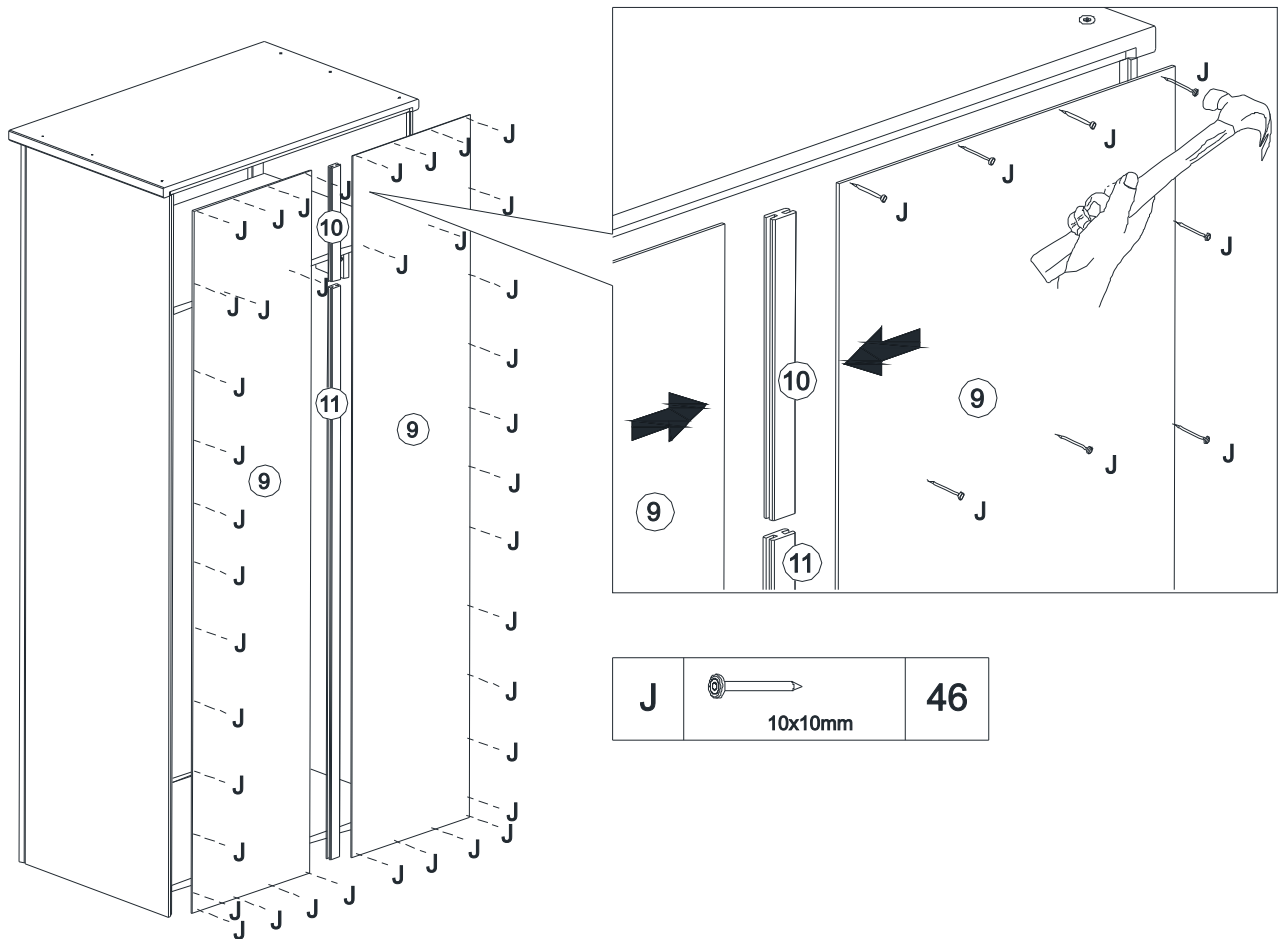
03




04




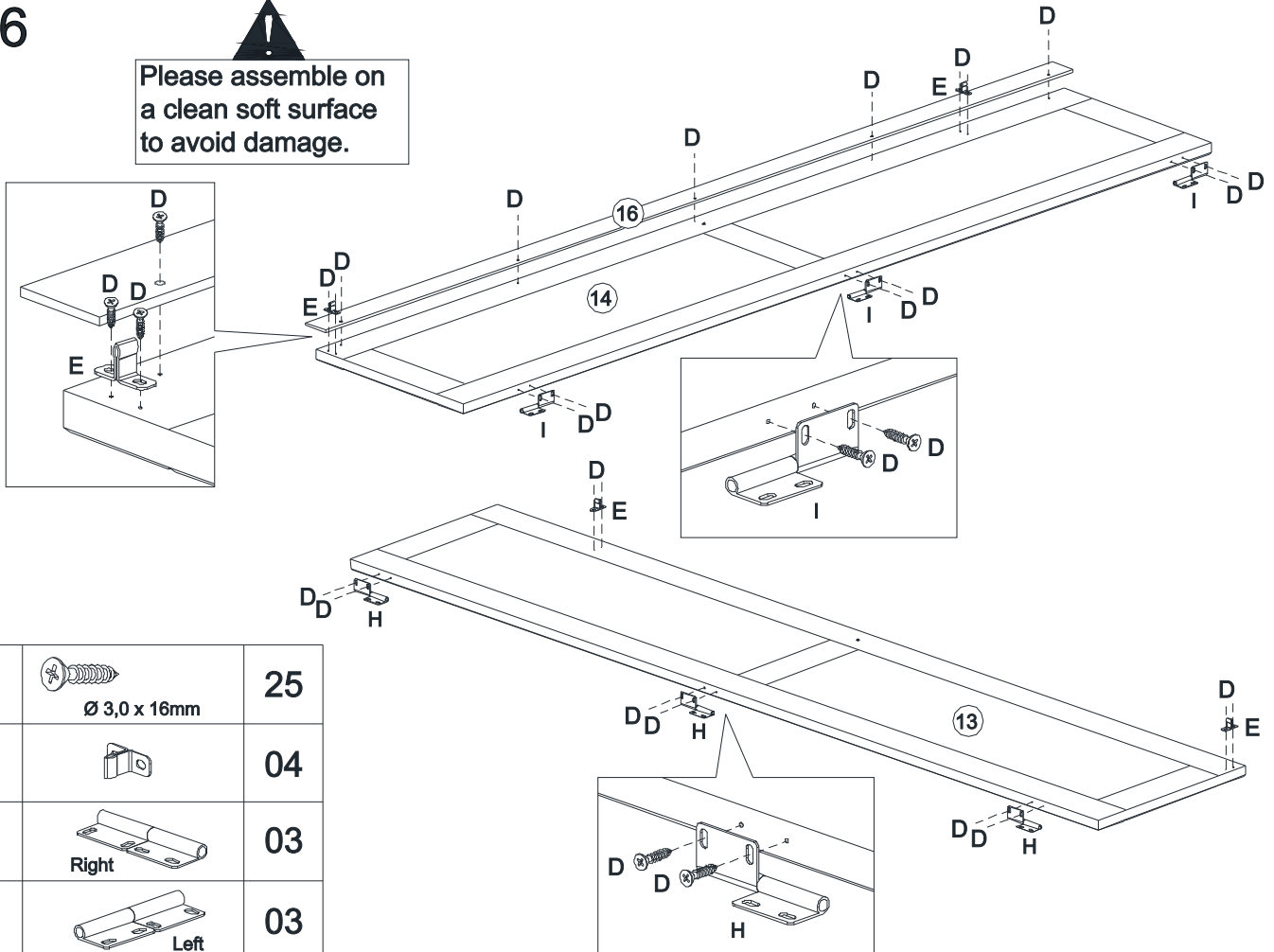
05



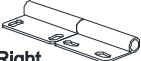
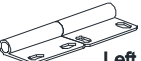


J		46
10x10mm		




06

 Please assemble on a clean soft surface to avoid damage.



D	 Ø 3,0 x 16mm	25
E		04
H	 Right	03
I	 Left	03

07

D	 Ø 3,0 x 16mm	12
F		02
G	 M4 x 20mm	02

