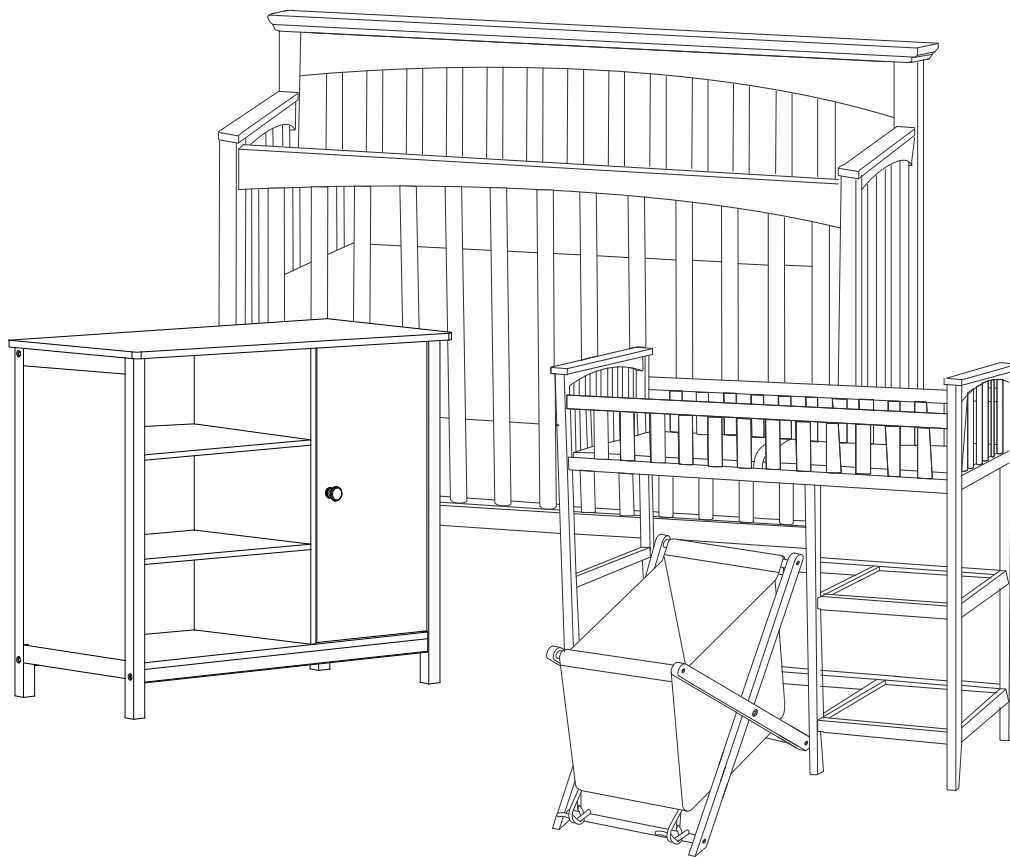




**By Sorelle - A Division of C&T International, Inc.**  
46 Whelan Road, East Rutherford, N. J. 07073 U. S. A.  
Tel, +1(201)531 1919 Fax, +1(201)531 1920  
Website: [www.sorellefurniture.com](http://www.sorellefurniture.com)

## **Petite Paradise Elite (Room in a Box) Assembly Instruction**



### **Important Information:**

Read all instructions **BEFORE** assembling crib.  
KEEP INSTRUCTIONS FOR FUTURE USE.

## Crib Warnings

### **WARNING:**

- \*Infants can suffocate on soft bedding. Never add a pillow or comforter. Never place additional padding under an infant.
- \*Failure to follow these warnings and the assembly instructions could result in serious injury or death. **DO NOT** use this crib if you cannot exactly follow the accompanying instructions.
- \*To reduce the risk of SIDS, pediatricians recommend healthy infants be placed on their backs to sleep, unless otherwise advised by your physician.
- \***Strangulation Hazard:** STRINGS CAN CAUSE STRANGULATION! **Do not** place items with a string around a child's neck, such as hood strings or pacifier cords. **Do not** suspend strings over a crib or attach strings to toys.
- \***Strangulation Hazard:** To help prevent strangulation tighten all fasteners. A child can trap parts of the body or clothing on loose fasteners.
- \***Strangulation Hazard:** **Do not** place crib near window or patio door where cords from blinds or drapes may strangle a child.
- \***Fall Hazard:** When child is able to pull to a standing position, set mattress to lowest position and remove bumper pads, large toys and other objects that could serve as steps for climbing out. This crib has an adjustable mattress support. For the convenience of the parent when the baby is very small, the mattress support may be used in the highest position. Important: with the mattress support and mattress in the highest position, be absolutely sure that the top of the front crib side is at least 3 inches higher than the top surface of the mattress. If it is not, lower the mattress support and the mattress to the next highest position.
- \***Fall Hazard:** Stop using crib when child begins to climb out or reaches a height of 35in. (89cm), whichever occurs first. The child should be placed in a youth or regular bed.
- \*Check this product for damaged hardware, loose joints, loose bolts or other fasteners, missing parts, or sharp edges before and after assembly and frequently during use. Securely tighten loose bolts and other fasteners. **Do not use crib** if any parts are missing, damaged or broken. Contact C&T International Inc. for replacement parts and instructional literature if needed. Do not substitute parts.
- \*Follow warnings on **all** products in a crib.
- \*If refinishing, use a non-toxic finish specified for children's products.
- \***Never** use plastic shipping bags or other plastic film as mattress covers because they can cause suffocation.
- \*Infants can suffocate in gaps between crib sides and a mattress that is too small.
- \*Ensure a safe environment for the child by checking regularly, before placing the child in the crib, that every component is properly and securely in place.
- \*To avoid head injury, do not allow any child to play underneath the crib.
- \***Never** add an accessory such as a bassinet or changing table that extends over the sleeping area.

**CAUTION : ANY MATTRESS USED IN THIS CRIB MUST BE AT LEAST 27 1/4" (69CM) x 51 5/8" (131 CM) WITH A THICKNESS NOT EXCEEDING 6" (15CM).**

## Toddler Bed Warnings

### **⚠️WARNING**

#### **INFANTS HAVE DIED IN TODDLER BEDS FROM ENTRAPMENT.**

Openings in and between bed parts can entrap head and neck of a small child.

NEVER use bed with children younger than 15 months.

ALWAYS follow assembly instructions.

The maximum user weight is 50lbs (22.7kg)

### **⚠️WARNING**

#### **STRANGULATION HAZARD**

NEVER place bed near windows where cords from blinds or drapes may strangle a child.

NEVER suspend strings over a bed.

NEVER place items with a string, cord, or ribbon, such as hood strings or pacifier cords, around a child's neck. These items may catch on bed parts.

### **⚠️CAUTION**

#### **ENTRAPMENT HAZARD**

To avoid dangerous gaps, any mattress used in this bed shall be a full-size crib mattress at least 51 5/8 in (1310mm) in length, 27 1/4 in (690mm) in width and 4 in (100mm) in thickness. The mattress thickness must not exceed 6 in (150mm).

## Changing Table Warnings

### **⚠️WARNING**

FALL HAZARD - to prevent death or serious injury, always keep child within arm's reach. Read all instructions before use of the changing table.

KEEP THESE INSTRUCTIONS IN A SAFE PLACE FOR FUTURE USE.

Inspect the changing table periodically. **Do not** use the changing table if it is damaged or broken. Contact C&T International Inc. with any questions.

Tighten all loose screws and bolts before each use.

The maximum recommended weight of the child is 30lbs for the changing table.

Use only the pad provided by C&T International Inc. or Manufacturer's

Always secure the pad to the changing surface. See Instructions.

NEVER use crib without Changing Table attached

**NOTES ON ASSEMBLY:**

-During the assembly process whenever using screws or bolts, check each by placing the screw/bolt on the diagram of the item which is drawn actual size and design. Be sure to use the proper size and shape specified in the instructions.

-To assemble this unit you may be required to place the unit on it's side and face. It is strongly recommended that assembly is done on a soft, non-abrasive surface to avoid damaging the finish.

**NOTES ON USE:**

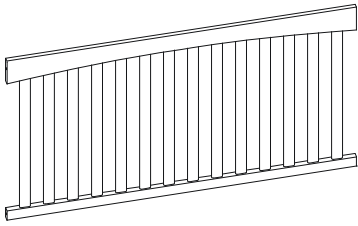
Keep children and others safe by following these simple rules:

- **Do not** allow any child to play on furniture
- **Do not** allow climbing on any piece of furniture.
- **Do not** allow hanging from any piece of furniture.
- Always monitor your child's activity when in the nursery.

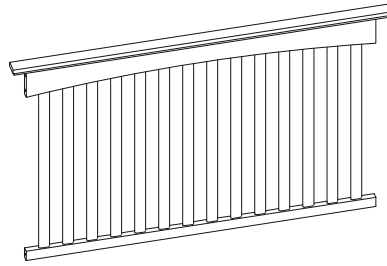
**NOTES ON CARE AND MAINTENANCE:**

- **Do not** scratch or chip the finish.
- Inspect the product periodically, contact C&T International Inc. for replacement parts or questions.
- **Do not** store the product or any parts in extreme temperatures and conditions such as a hot attic or a damp, cold basement. These extremes can cause a loss of structural integrity.
- To preserve the luster of the high quality finish on your product, it is recommended to place a doily or felt pad under any items you place on the finish.
- Clean with a damp cloth, then a dry cloth to preserve the original luster and beauty of this fine finish.
- Do not** use abrasive chemicals.
- Do not** spray cleaners directly onto furniture.
- Lift slightly when moving on carpeting to prevent leg breakage.
- Use of a vaporizer near furniture will cause wood to swell and finish to peel.

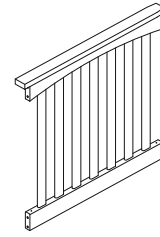
**Crib Assembly Parts**



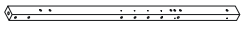
(A) Front Frame (1 pc)



(B) Back Frame (1 pc)



(C) Side Frames (2 pcs)



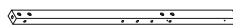
(DRF) Right Front Corner Post (1 pc)



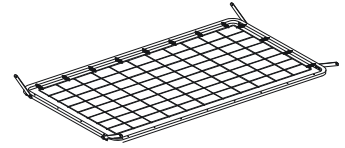
(ERB) Right Back Corner Post (1 pc)



(DLF) Left Front Corner Post (1 pc)

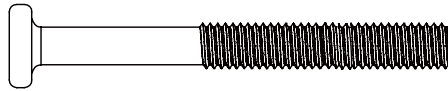


(ELB) Left Back Corner Post (1 pc)

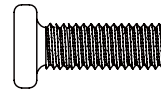


(F) Mattress Support (1 pc)

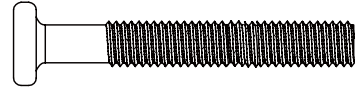
**Assembly Hardware Set**



(a) 55mm Allen Bolts (8 pcs)



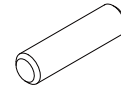
(c) 17mm Allen Bolts (4 pcs)



(b) 42mm Allen Bolts (10 pcs)



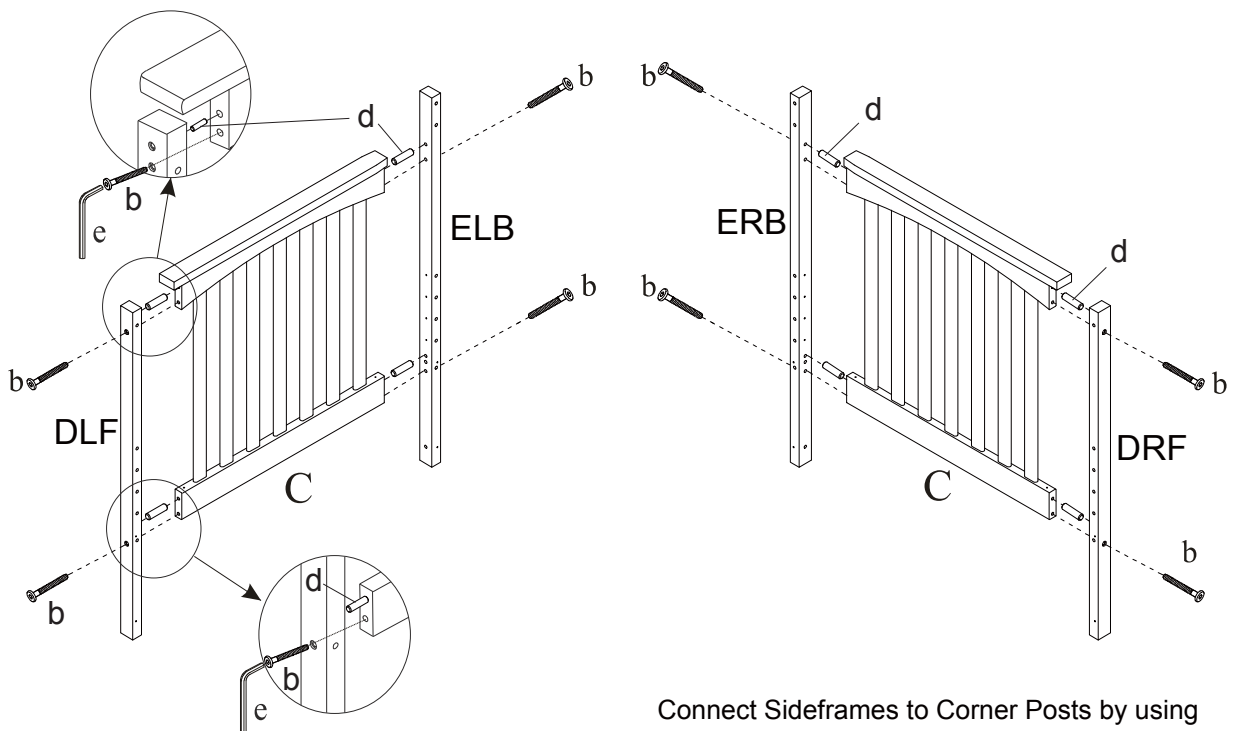
(e) Allen Key (1 pc)



(d) Wood Dowels (10 pcs)

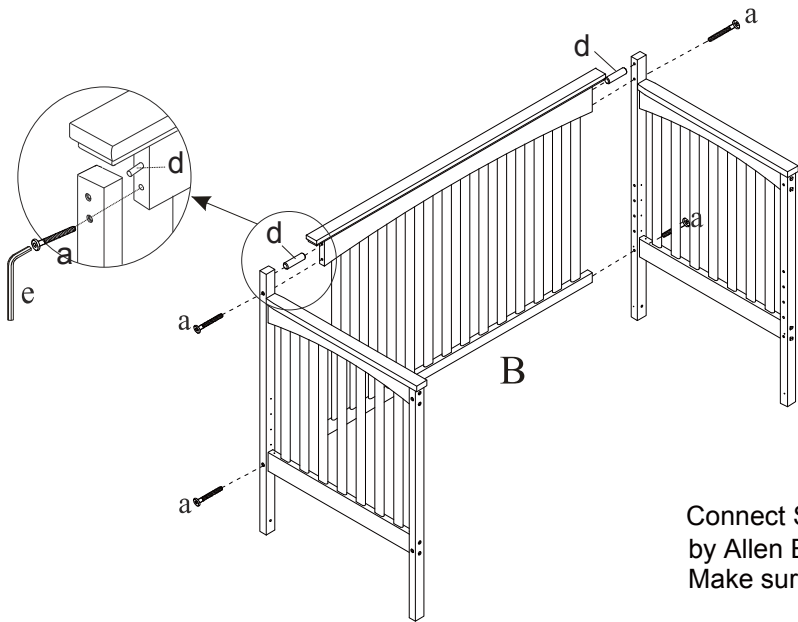
**Crib Assembly**

**1**



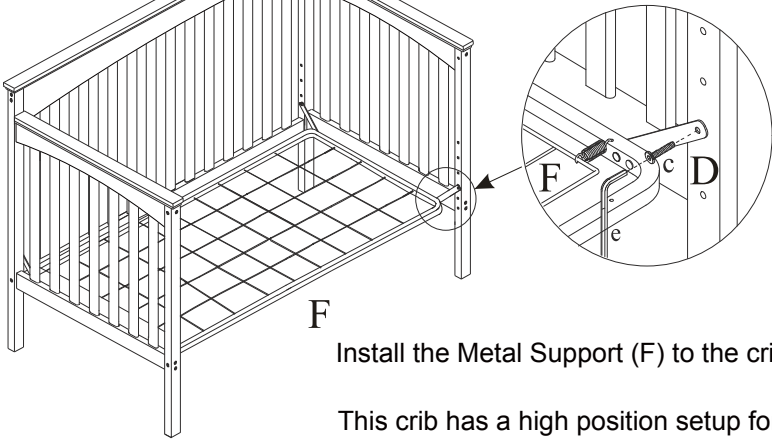
**Crib Assembly**

**2**



Connect Sideframes to Back frame (B) by Allen Bolts (a).  
Make sure plug in wooden dowels first.

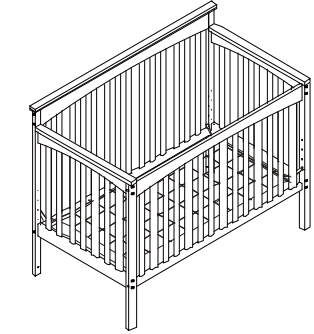
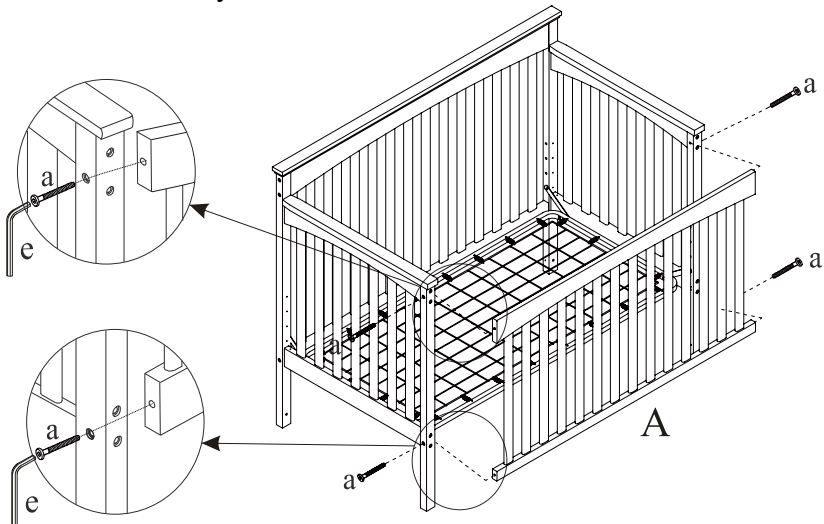
**3**



Install the Metal Support (F) to the crib by using 4 pcs Allen Bolts (c).

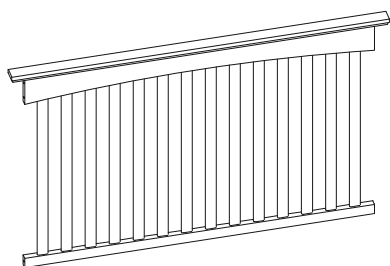
This crib has a high position setup for use during your baby's first months.  
As soon as your baby starts to sit up, you must use the lowest mattress level.

**4** Front Frame assembly.

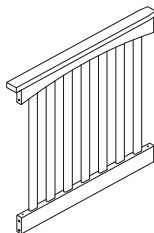


Your crib is now ready to use.

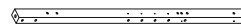
**Toddler Bed Assembly Parts**



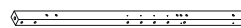
(B) Back Frame (1 pc)



(C) Side Frames (2 pcs)



(DRF)Right Front Corner Post (1 pc)



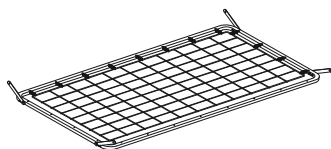
(DLF)Left Front Corner Post (1 pc)



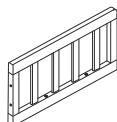
(ERB)Right Back Corner Post (1 pc)



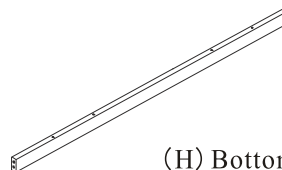
(ELB)Left Back Corner Post (1 pc)



(F) Mattress Support  
(1 pc)

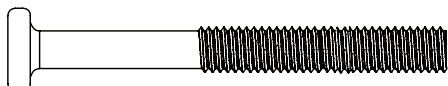


(G) Toddler Safety Rail  
(1 pc)



(H) Bottom Bar  
(1 pc)

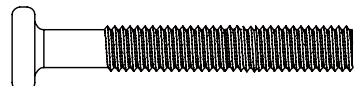
**Assembly Hardware Set**



(a) 55mm Allen Bolts (8 pcs)



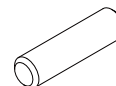
(c) 17mm Allen Bolts (4 pcs)



(b) 42mm Allen Bolts (10 pcs)



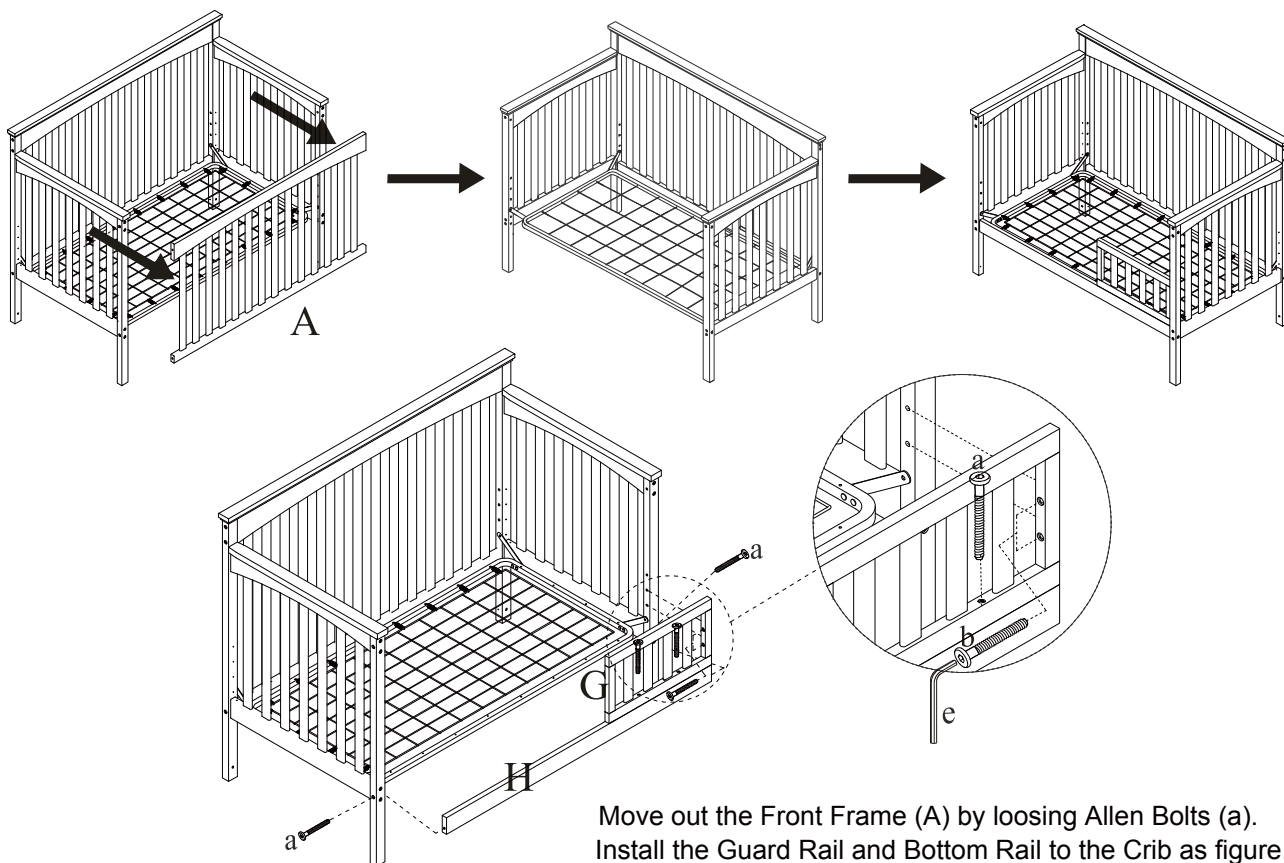
(e) Allen Key (1 pc)



(d) Wood Dowels (10 pcs)

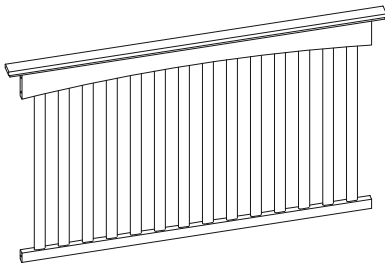
**Toddler Bed Assembly**

**5**

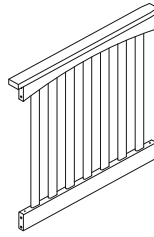


Move out the Front Frame (A) by loosening Allen Bolts (a).  
Install the Guard Rail and Bottom Rail to the Crib as figure.

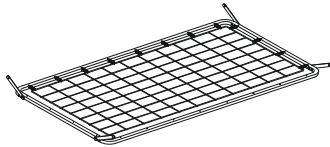
**DayBed Assembly Parts**



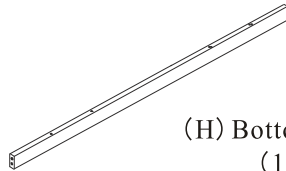
(B) Back Frame (1 pc)



(C) Side Frames (2 pcs)



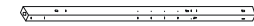
(F) Mattress Support  
(1 pc)



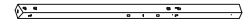
(H) Bottom Bar  
(1 pc)



(DRF)Right Front Corner Post (1 pc)



(DLF)Left Front Corner Post (1 pc)

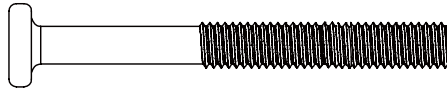


(ERB)Right Back Corner Post (1 pc)

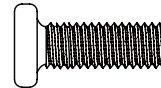


(ELB)Left Back Corner Post (1 pc)

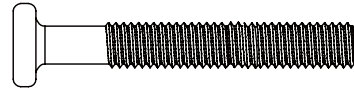
**Assembly Hardware Set**



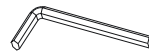
(a) 55mm Allen Bolts (8 pcs)



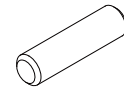
(c) 17mm Allen Bolts (4 pcs)



(b) 42mm Allen Bolts (10 pcs)



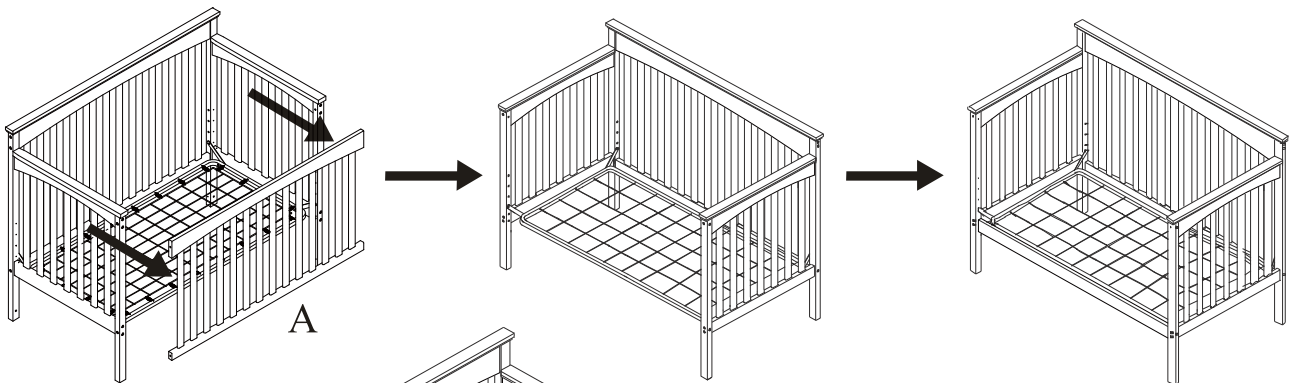
(e) Allen Key (1 pc)



(d) Wood Dowels (10 pcs)

**DayBed Assembly**

**6**



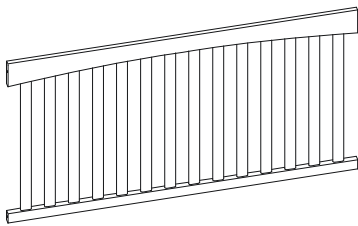
NOTE: DAYBED IS NOT FOR ADULTS.



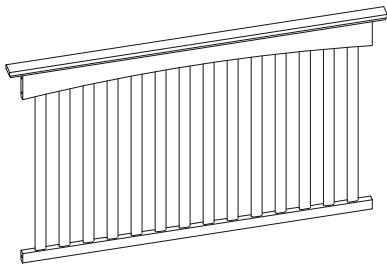
Move out the Front Frame (A) from crib by loosening Allen Bolts (a).  
Install the Guard Rail and Bottom Rail to the Crib as figure.



**Fullsize Bed Assembly Parts**



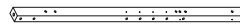
(A) Front Frame (1 pc)



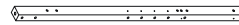
(B) Back Frame (1 pc)



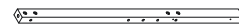
(I) Top Cap (2 pcs)



(DRF) Right Front Corner Post (1 pc)



(DLF) Left Front Corner Post (1 pc)



(ERB) Right Back Corner Post (1 pc)



(ELB) Left Back Corner Post (1 pc)

**Assembly Hardware Set**



(a) 55mm Allen Bolts (8 pcs)



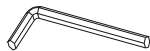
(c) 17mm Allen Bolts (4 pcs)



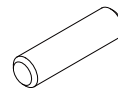
(f) 20mm Allen Bolts (8 pcs)



(b) 42mm Allen Bolts (10 pcs)



(e) Allen Key (1 pc)



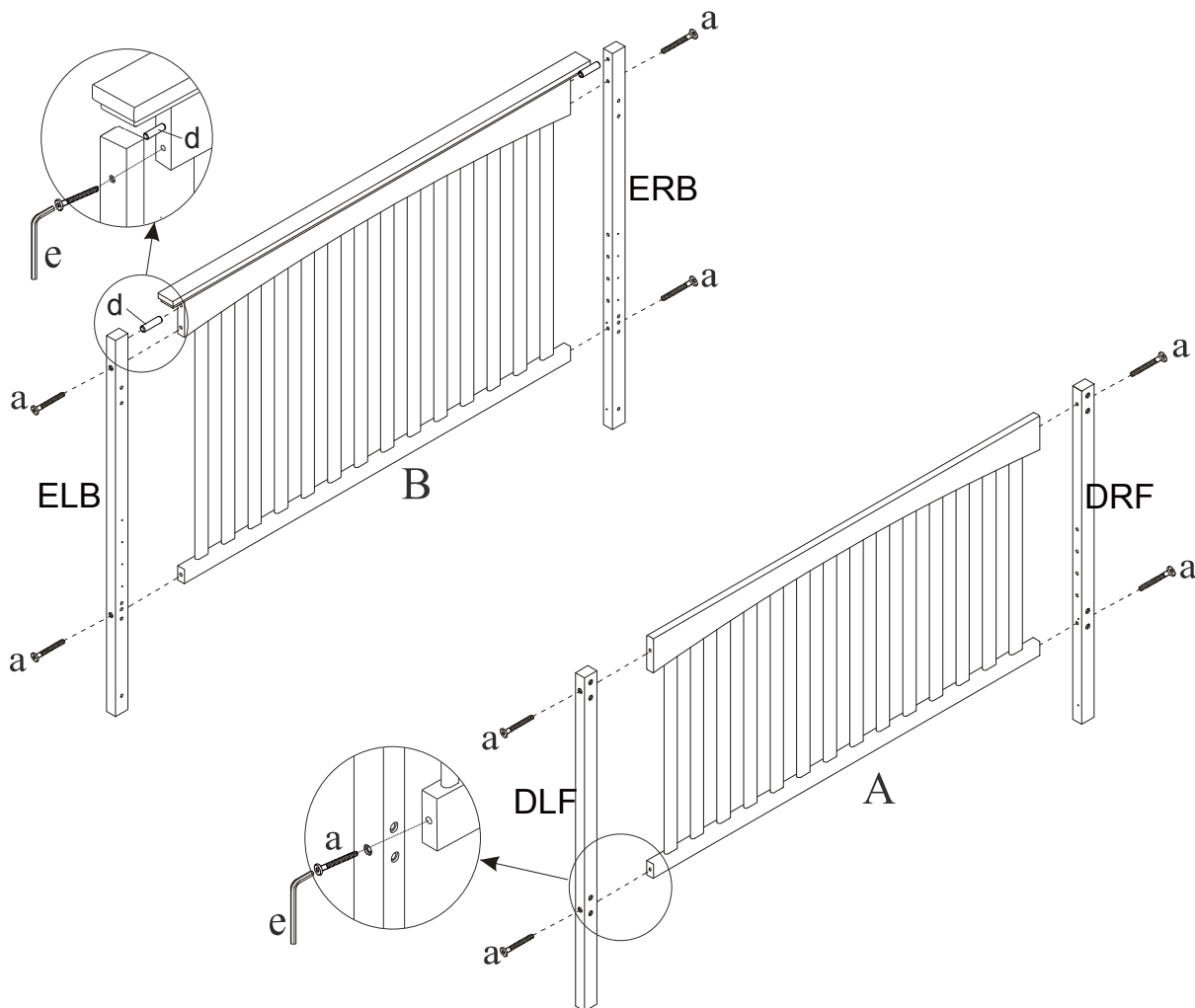
(d) Wood dowels (10 pcs)



(g) Gap (8 pcs)

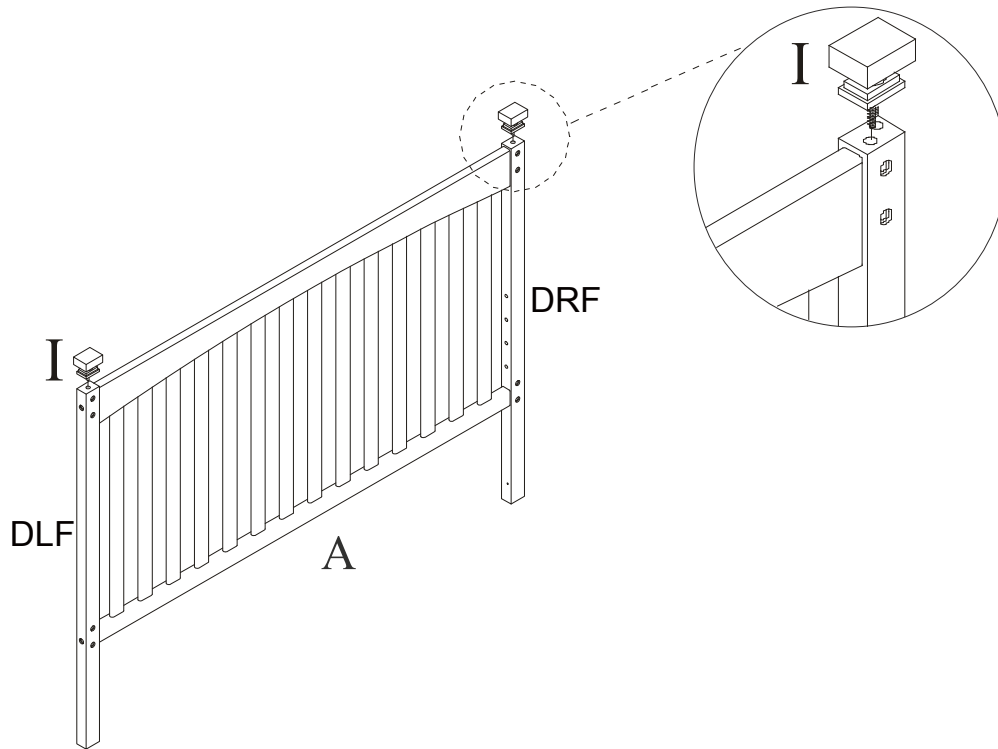
**Fullsize Bed Assembly**

**7**



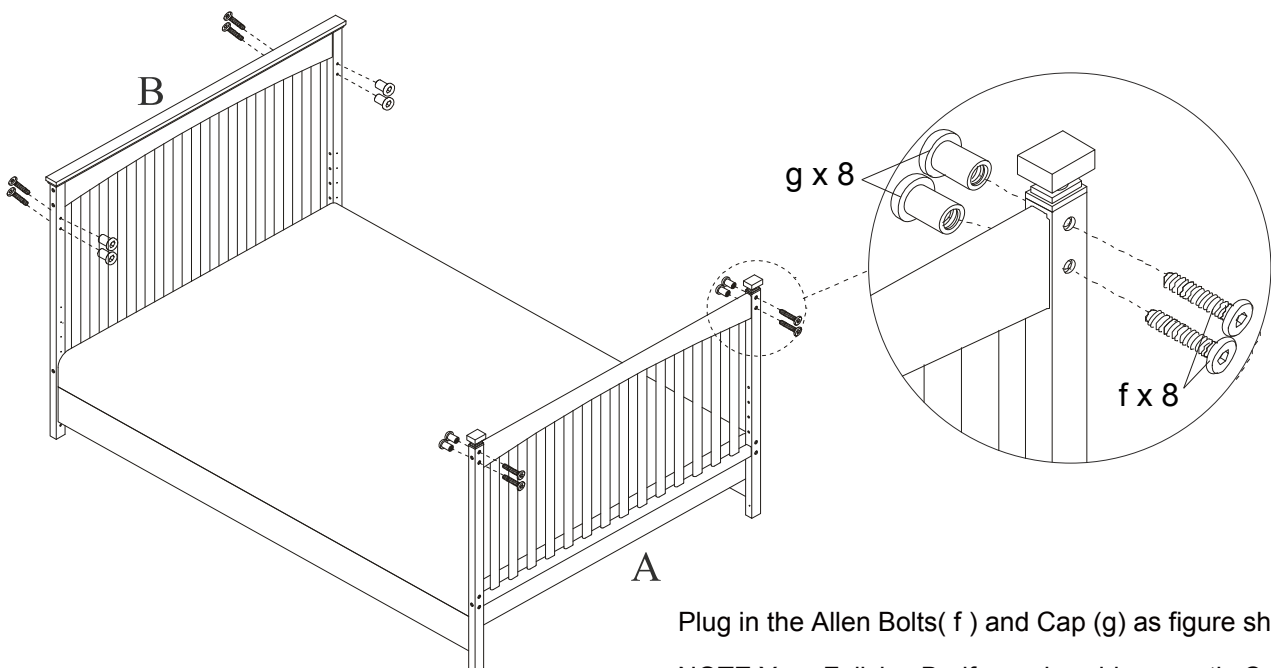
**Fullsize Bed Assembly**

**8**



Install the Top Cap (I) on the Front Corner Post.

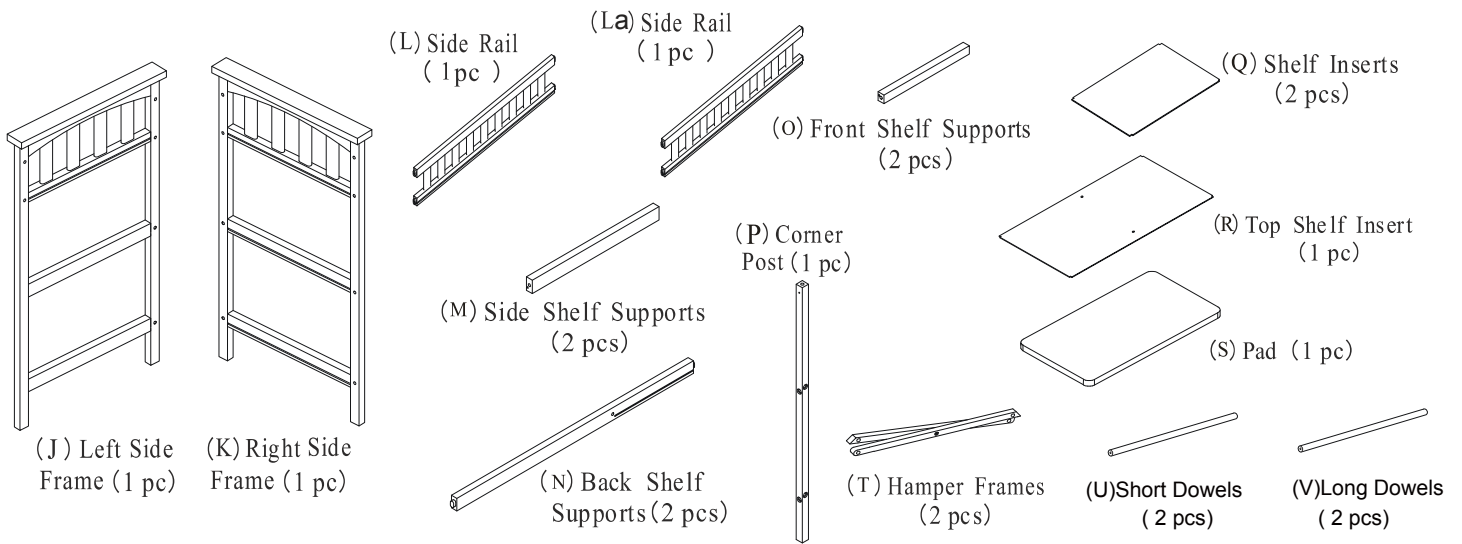
**9**



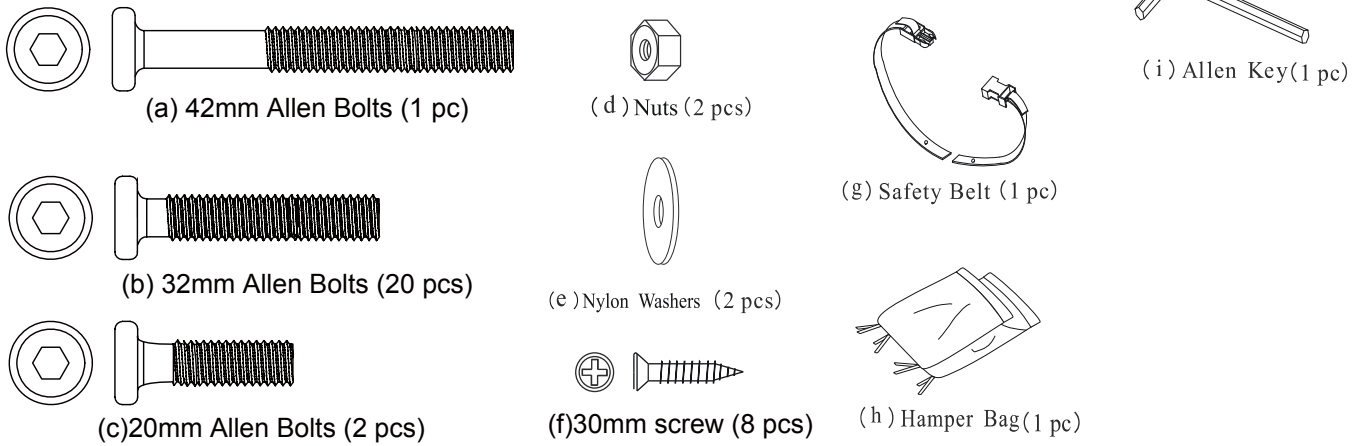
Plug in the Allen Bolts ( f ) and Cap ( g ) as figure shows.

NOTE: Your Fullsize Bedframe is sold separately. Contact with CNT International INC for specific assembly sheet to assemble your Fullsize Bed.

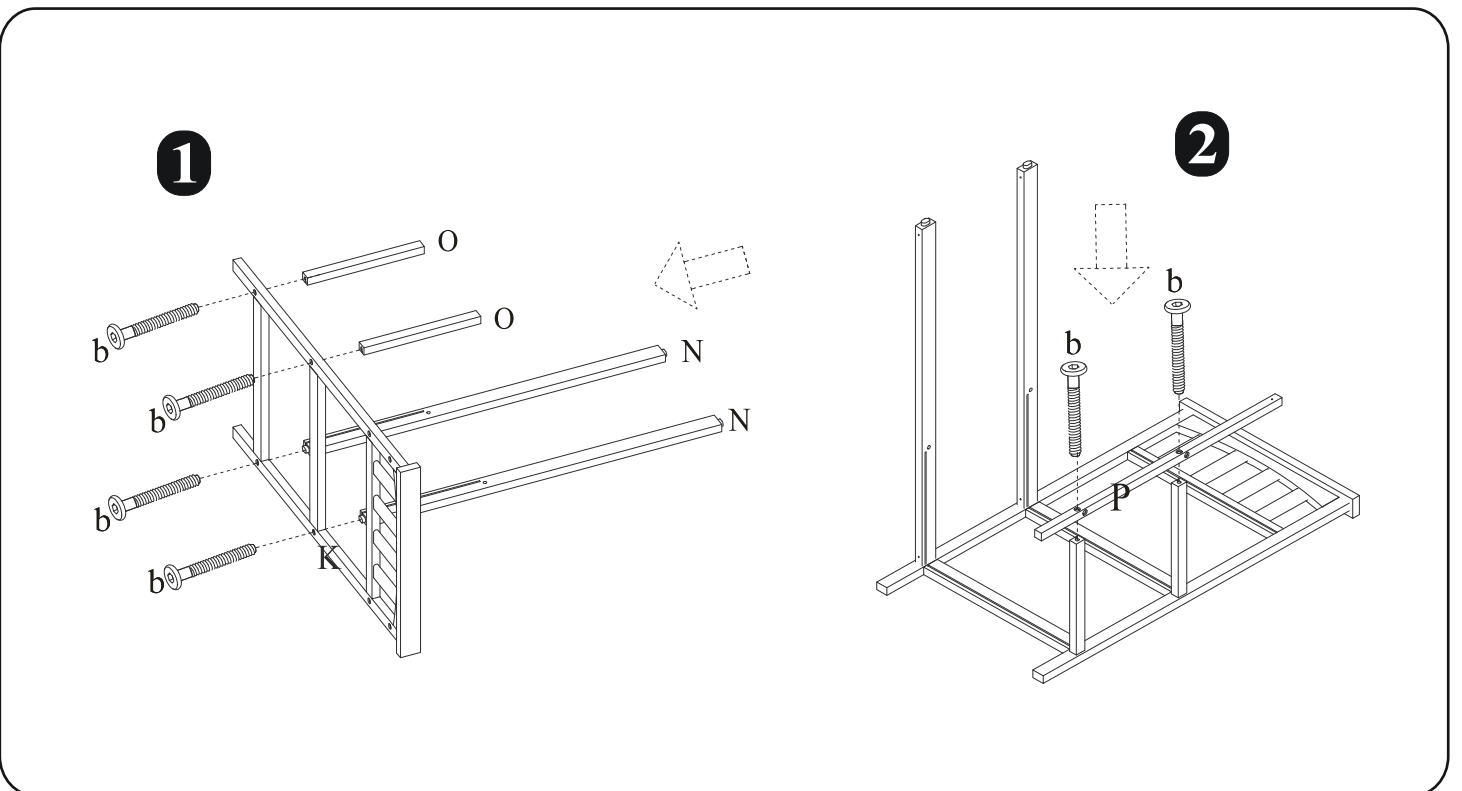
**Changer Assembly Parts**



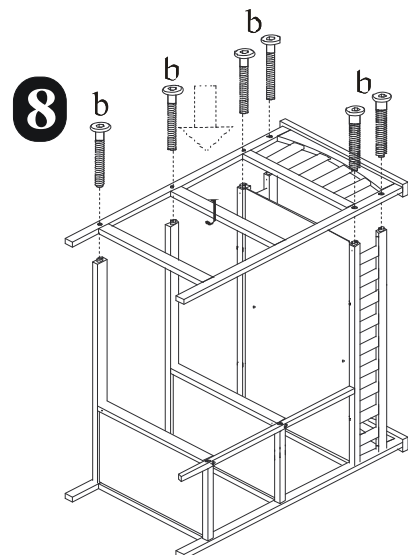
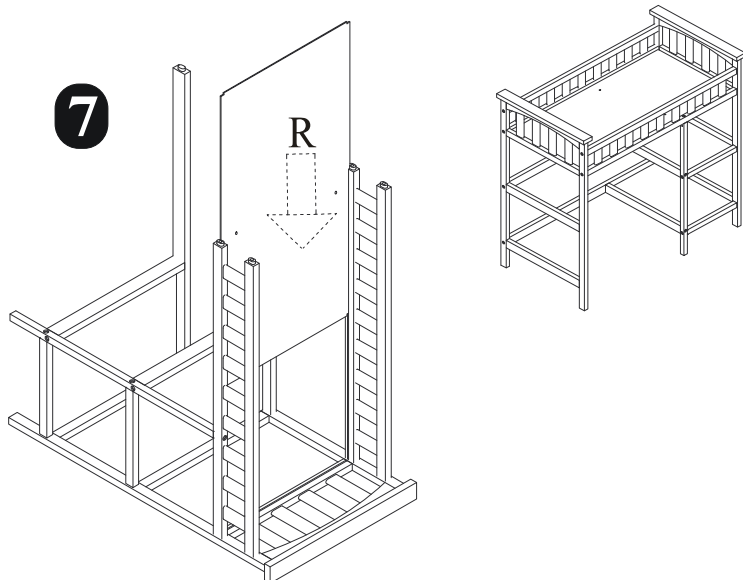
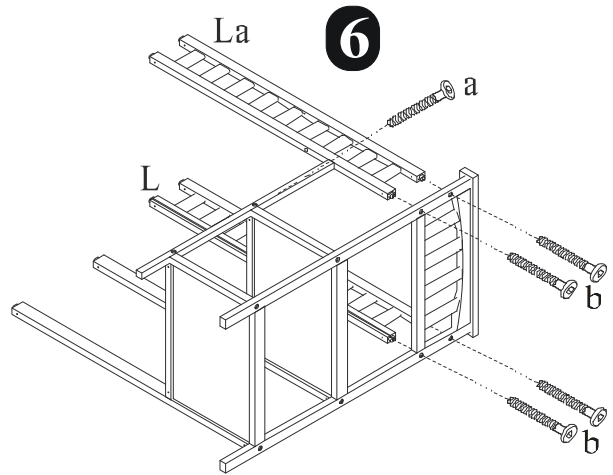
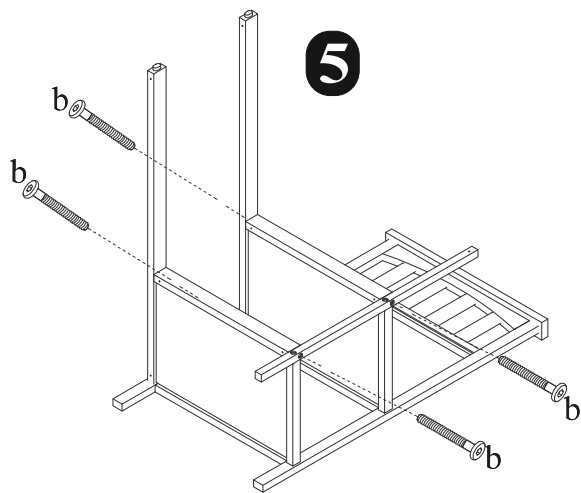
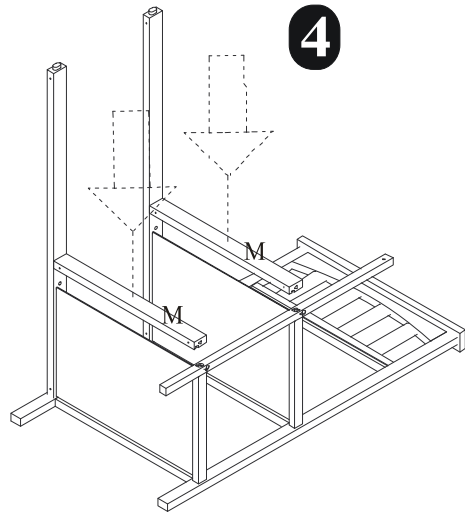
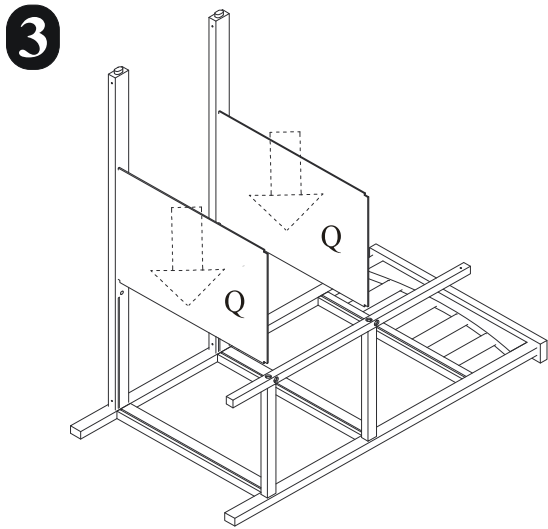
**Assembly Hardware Set**



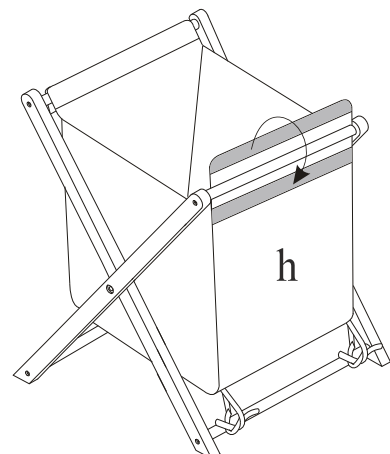
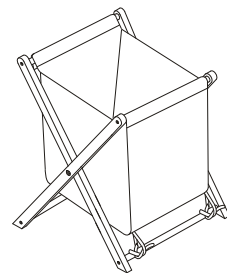
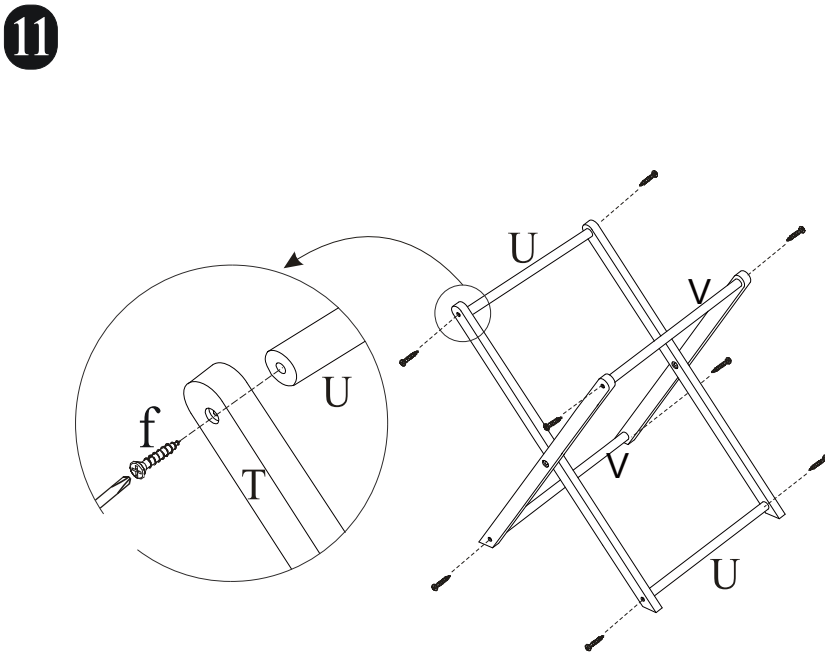
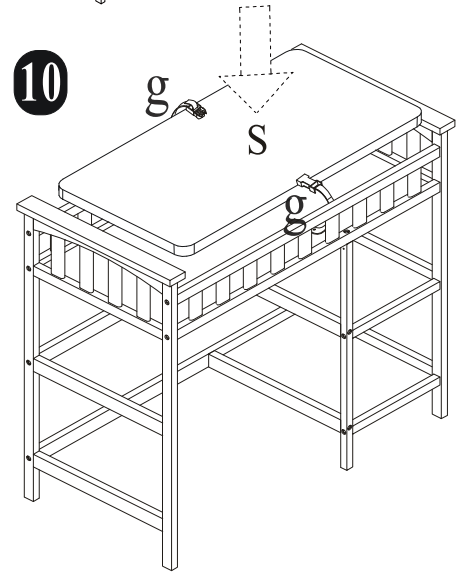
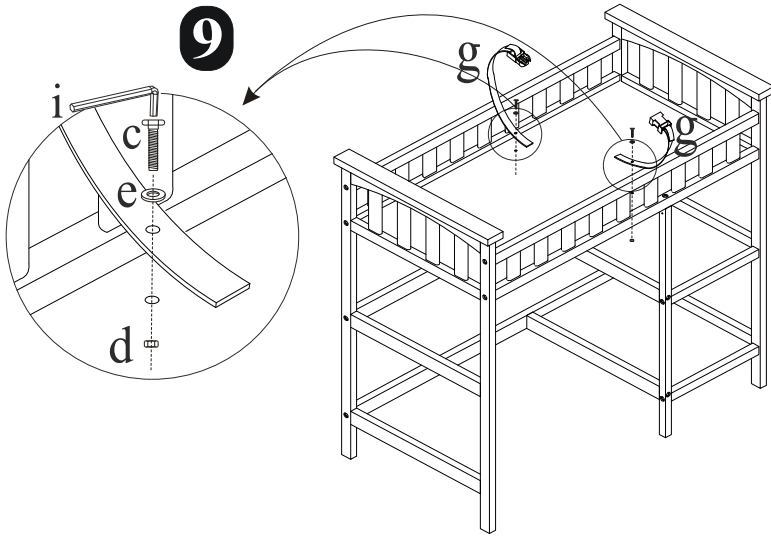
**Changer Assembly**



**Changer Assembly**

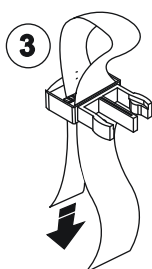
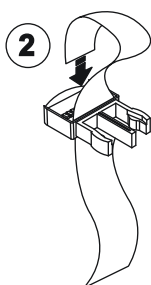
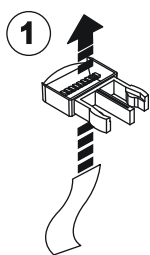
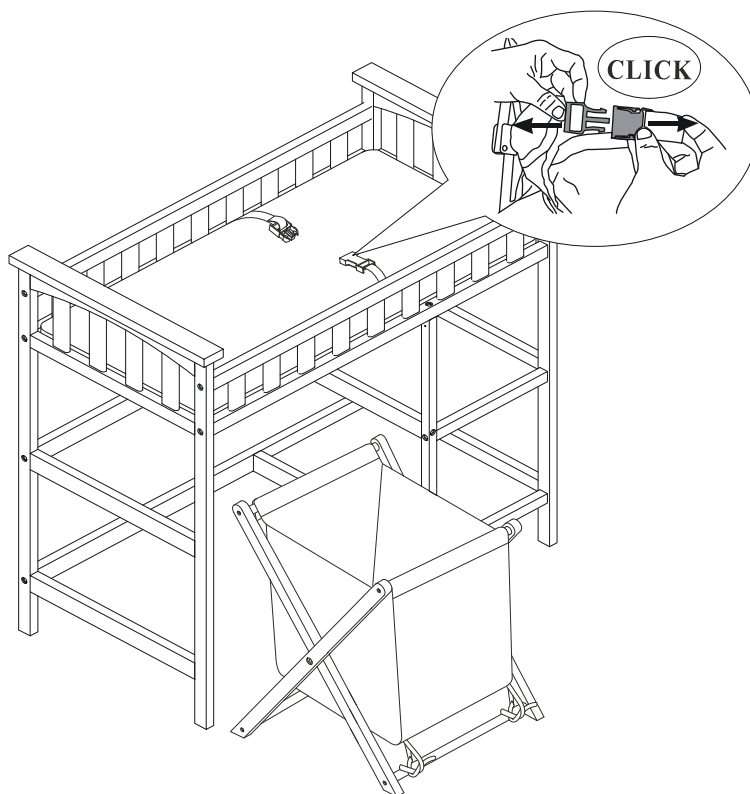


Changer Assembly



**Changer Assembly**

**12**

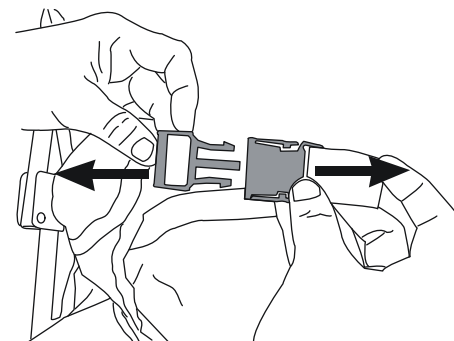
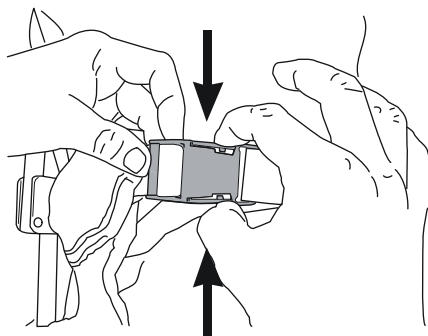
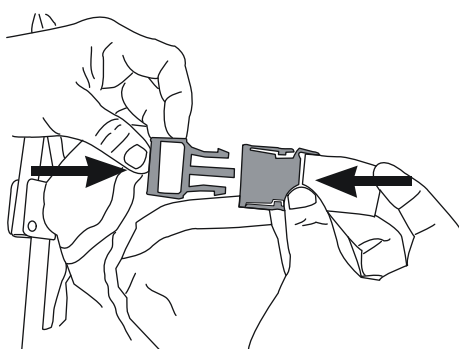


**4**

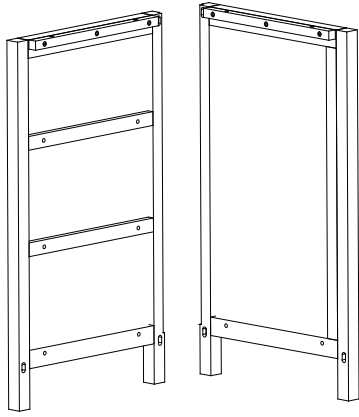


TO FASTEN STRAP-PUTH BUCKLE SIDE TOGETH-  
ERBESURE BUCKLE IS FULLY FASTENED TO  
SECURE CHILD SAFFELY

TO RELEASE PRESS BOTH TABS AND PULL APART



**Clothing Organizer Parts**



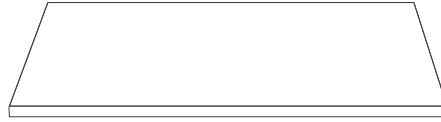
(DA)Left End Frame (1 pc) (DB)Right End Frame (1 pc)



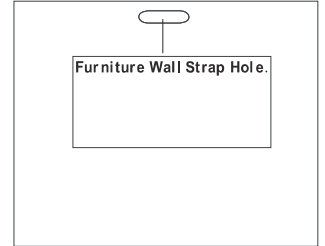
(DC)Dresser Top Support Bar (1 pc)



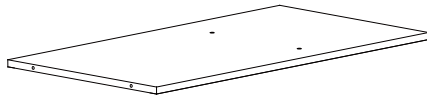
(DK)Bottom Support Bar (2 pcs)



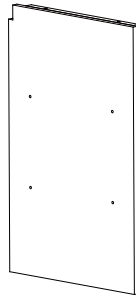
(DD)Top Panel (1 pc)



(DE)Back Panel (1 pc)



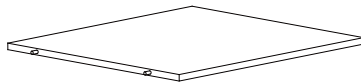
(DF)Bottom Panel (1 pc)



(DG) Middle Panel(1 pc)



(DH)Door (1 pc)

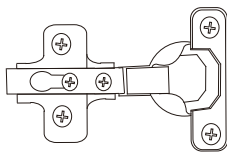


(DI) Fixed Shelf (2 pcs)

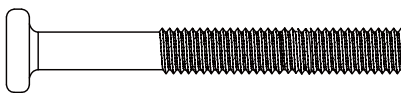


(DJ) Adjustable Shelf (1 pc)

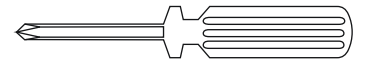
**Assembly Hardware Set**



(a) Hinges (2 pcs)



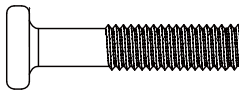
(d)42mm Allen Bolts(6 pcs)



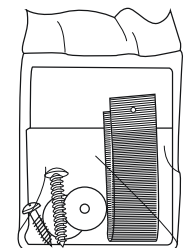
(h) Screwdriver (1 pc)



(b) Knop Screw (1 pc)



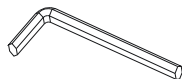
(e)29 mm Allen Bolts(8 pcs)



(i) Wall Strap Kit (1 pc)



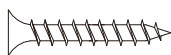
(c) Door Knop (1 pc)



(f)Allen Key (1 pc)



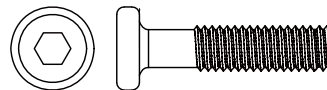
(g)16 mm Screws (20 pcs)



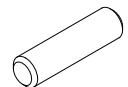
(j) Hinges Screw (8 pcs)



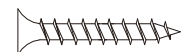
(k) Shelf Support (4 pcs)



(l)35 mm Allen Bolts(1 pc)

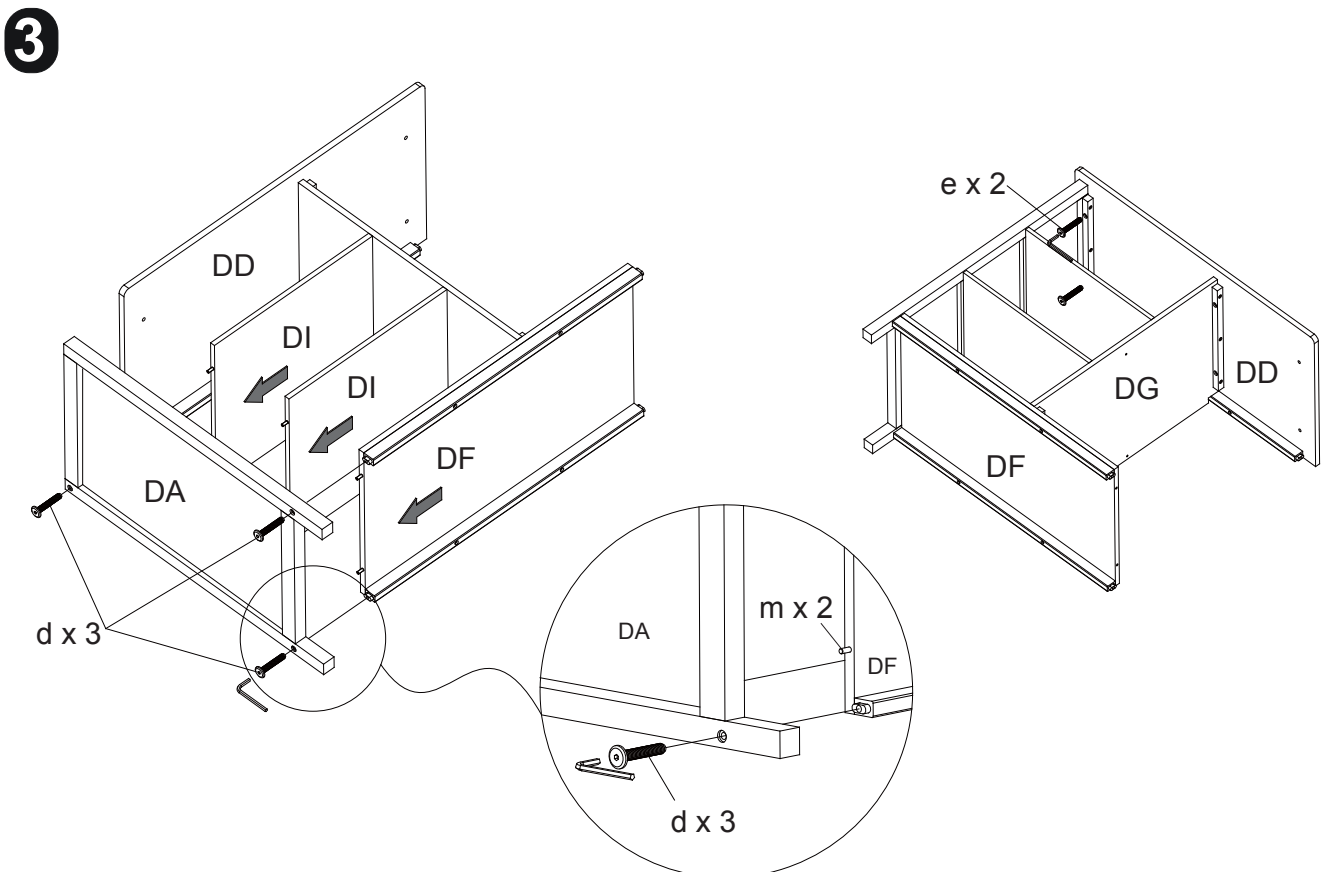
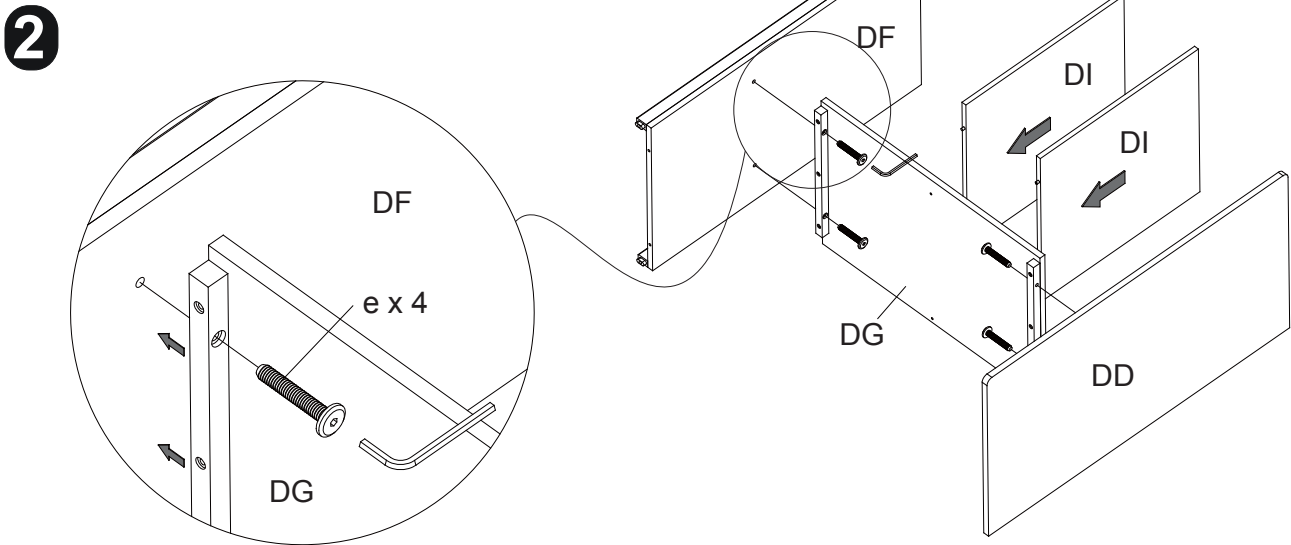
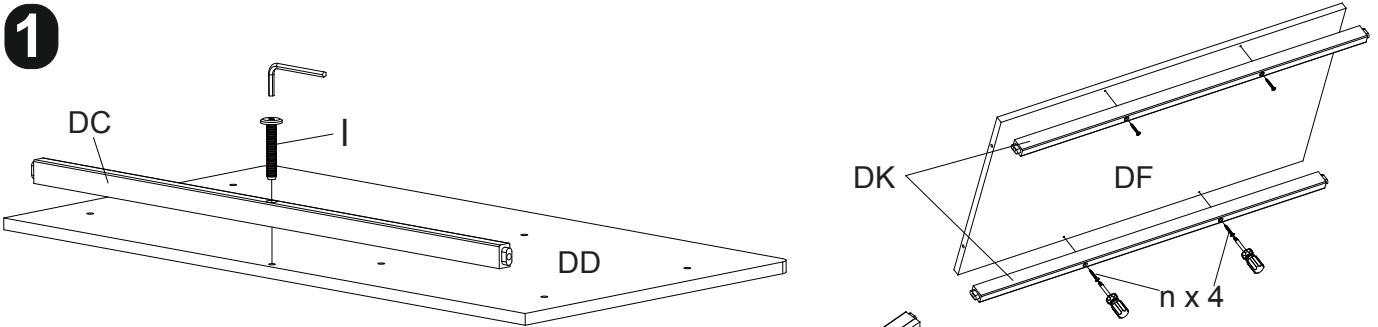


(m)Wood Dowels (4 pcs)



(n) 35mm Screw (4 pcs)

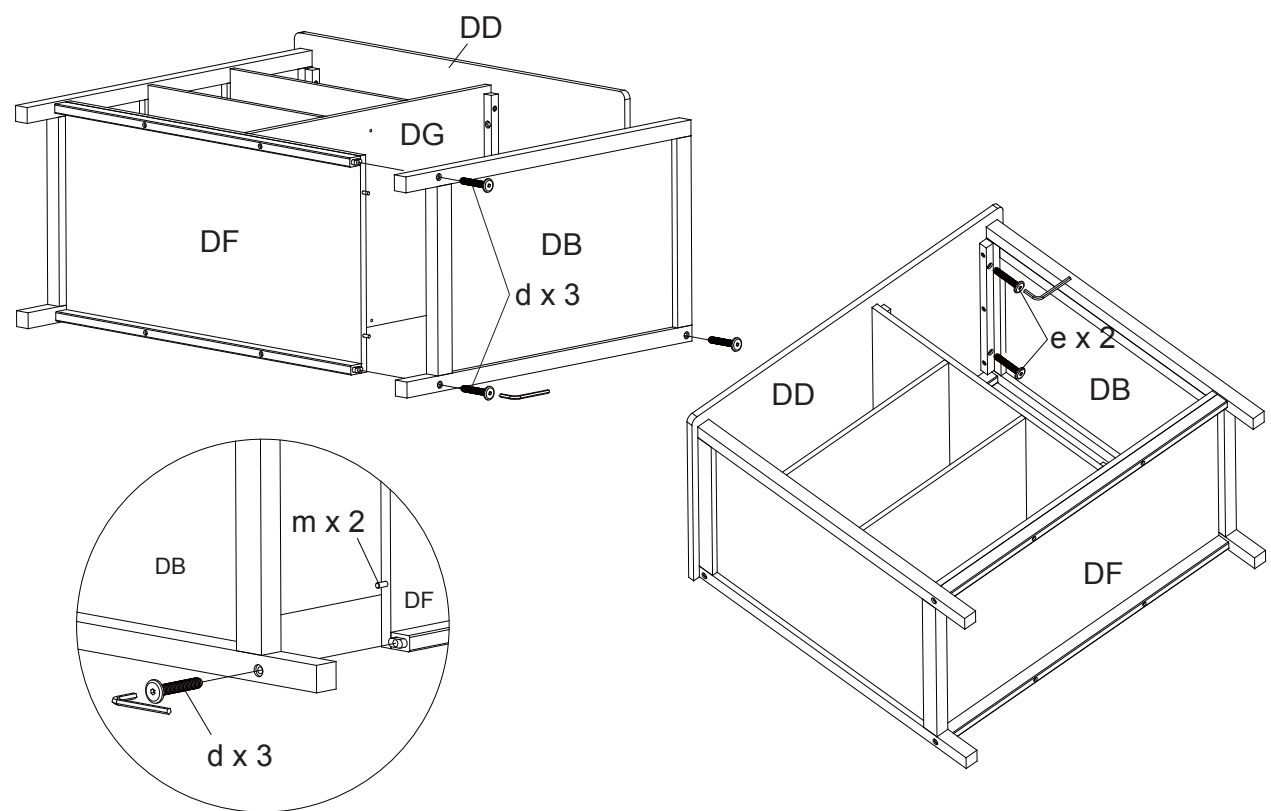
**Clothing Organizer assembly**



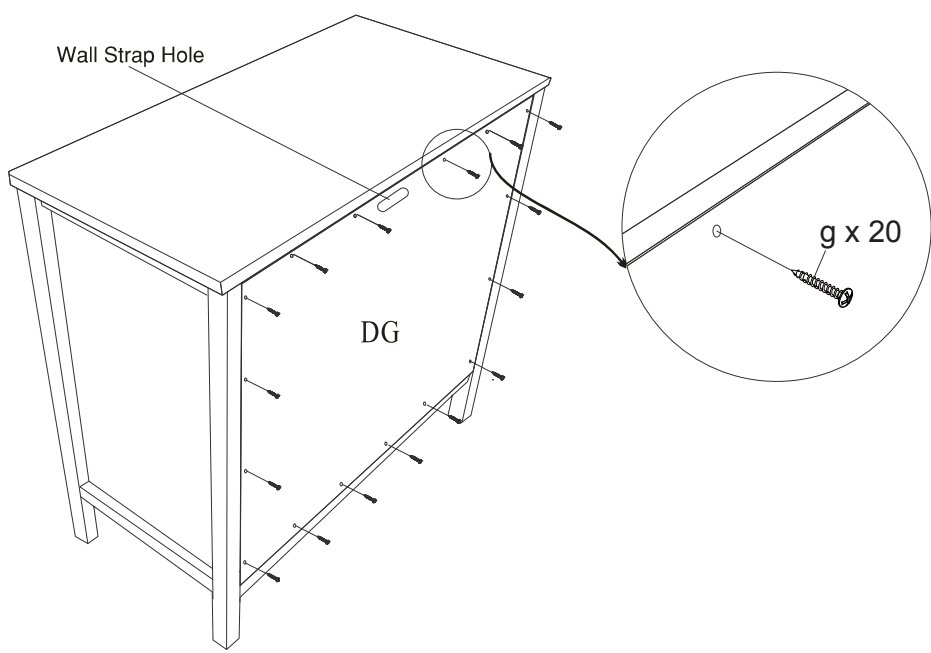


**Clothing Organizer Assembly**

**4**



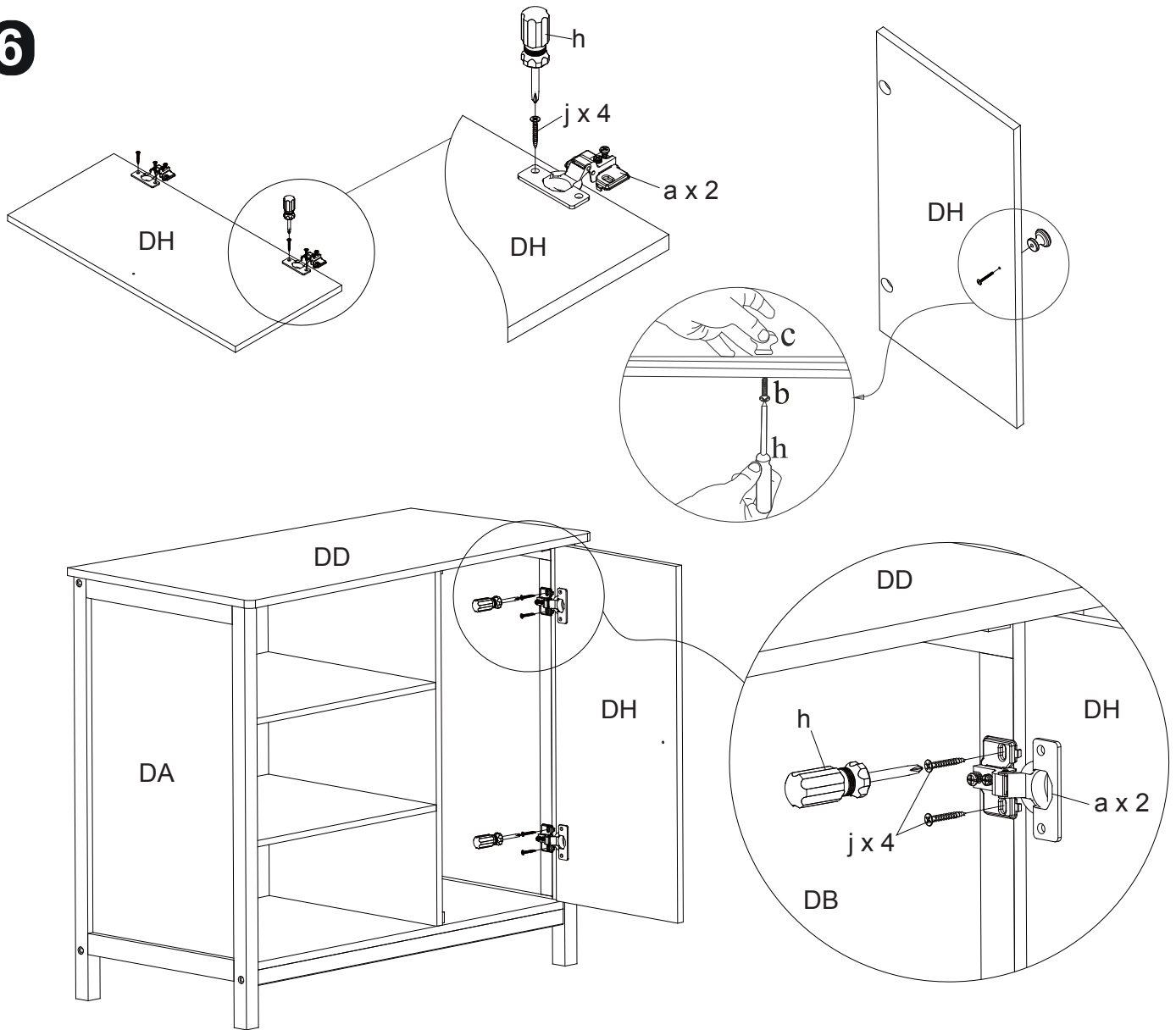
**5**



Wall Strap assembly instruction please check the Wall Strap Bag.

**Clothing Organizer Assembly**

**6**



**7**

