

# COSMIC STUDIO SLEEPER - ASSEMBLY INSTRUCTION



## Before You Start

- Important: Retain these instructions for future reference.
- When you are ready to start, make sure that you have the right tools, plenty of space and a clean, dry area for assembly.
- Unwrap all packaging materials and place the components on top of the carton box or on a clean floor to prevent it from scratching.
- Check the pack and make sure you have all the parts listed.
- During assembly children should be kept away from the product due to possible risk of injury.
- Tools not included.
- Do not use power tools to construct this product.
- Due to the size of this product we recommend that it is assembled in the room intended for use.
- Ensure that this product is fully assembled as illustrated before use.

## Warnings




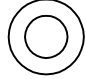

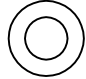









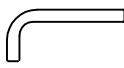

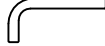








- This product is intended for a maximum weight of 100 kg. Do not exceed this weight.
- It is recommended that 2 people are required to assemble this product.
- This product should only be used on firm, level ground.
- Make sure the legs remain in contact with the ground.
- Keep small parts out of reach of children.
- Check all screws or bolts are tightened and inspect regularly.
- Do not tighten screws until fully assembled.
- Do not over tighten screws or bolts.
- Do not use this product if parts are missing, damaged or worn.
- Do not allow children to jump on the bed as this could cause damage to the frame.
- This product complies with the requirements of UK Bunk Beds Entrapments Hazards Safety Regulations 1987 and the European Standard EN 747-1 & 2 : 2007
- Top bunk not recommended for children under the age of 6 years. Be aware of the danger of young children (under 6) falling from the upper bunk.
- The top of the mattress must not come above the line marked on the bed.

## Care Instructions

- To clean wipe with a sponge and warm soapy water. Do not use solvent based cleaners or detergents as they can bleach or damage the product.

# COSMIC STUDIO SLEEPER - ASSEMBLY INSTRUCTION

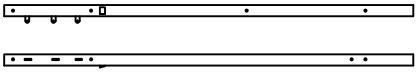

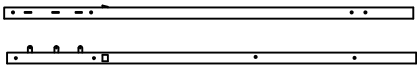
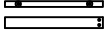
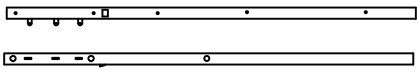

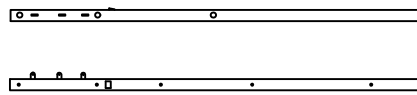





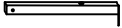
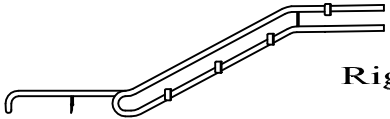
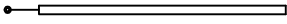
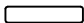


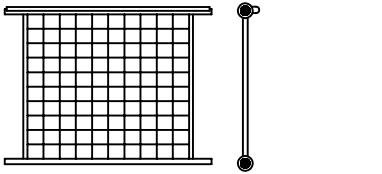
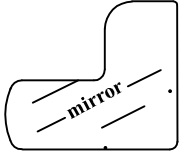



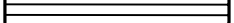
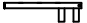
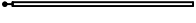

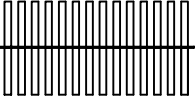
## Fitting List :

Fitting		Fitting	
1 x 4	M8 x 95MM 	35 x 4	50MM 
7 x 13	M6 x 80MM 	91 x 12	 Plastic ( 2mm )
12 x 15	M6 x 45MM 	107 x 12	 Plastic ( 1mm )
13 x 4	M6 x 40MM 	46 x 1	25MM x 50MM 
16 x 36	M6x 20MM 	45 x 4	
24 x 2	M6 x 12MM 	59 x 9	
17 x 12	M6 x 16MM 	33 x 7	
92 x 2	M4 x 10MM 	42 x 1	M5 
90 x 12		43 x 1	M4 
96 x 4	19MM x 19MM 	57 x 2	25MM x 25MM 
77 x 2	M8 x 70MM 	67 x 4	19MM 
53 x 28			
25 x 4			 NOT PROVIDED  NOT PROVIDED

Approved by : .....

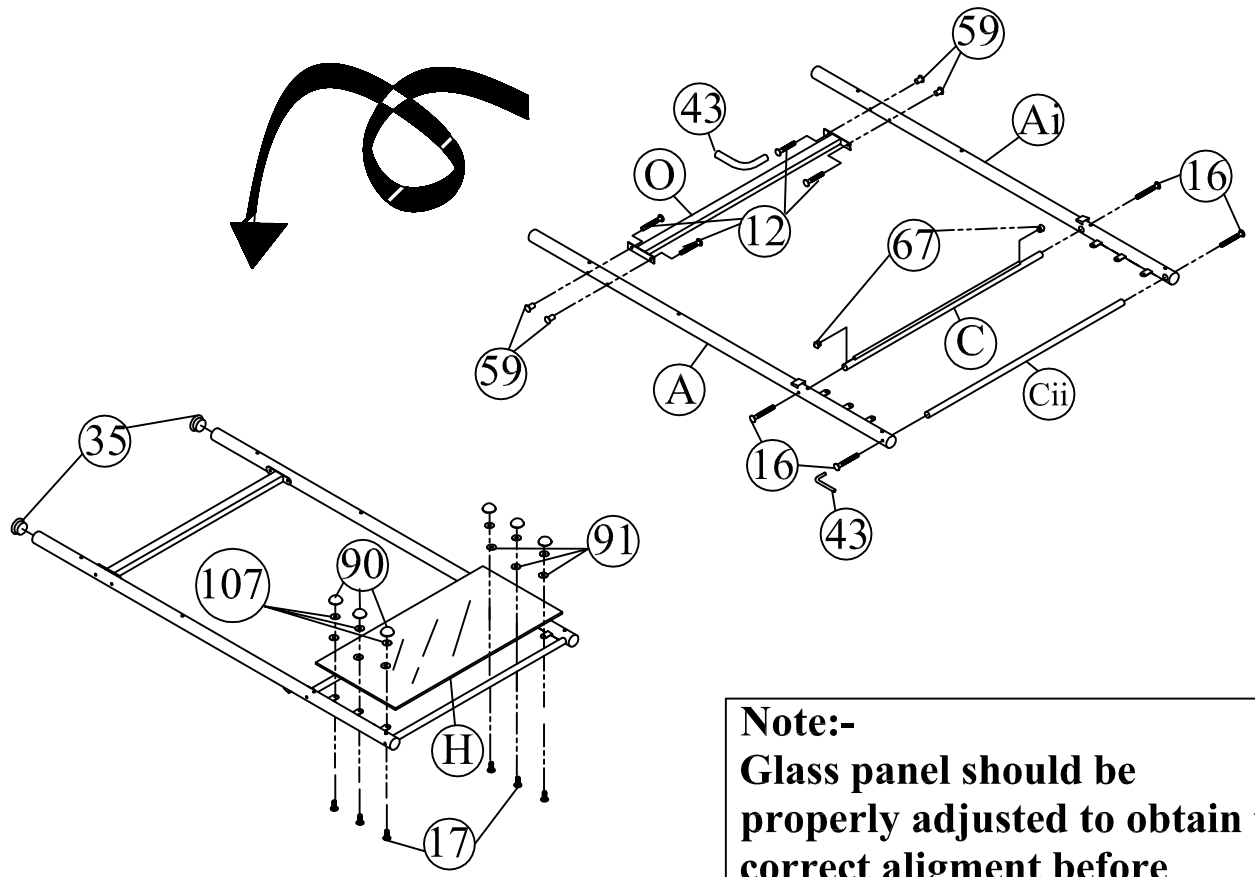
# COSMIC STUDIO SLEEPER - ASSEMBLY INSTRUCTION

## Parts List :

Part	Part	Part	Part
<b>A x 1</b>	 <p>Top View Side View</p>	<b>Hi x 1</b>	
<b>Ai x 1</b>	 <p>Side View Top View</p>	<b>I x 1</b>	
<b>Aii x 1</b>	 <p>Top View Side View</p>	<b>Ii x 1</b>	
<b>Aiii x 1</b>	 <p>Side View Top View</p>	<b>J x 1</b>	
		<b>Ji x 1</b>	
<b>B x 1</b>	<p style="text-align: center;">TOP VIEW</p>  <p style="text-align: center;">SIDE VIEW</p>	<b>Jii x 1</b>	
		<b>K x 1</b>	
<b>Ci x 2</b>		<b>Ki x 1</b>	 <p style="text-align: right;">Right</p>
<b>Cii x 2</b>		<b>Kii x 5</b>	
<b>D x 2</b>		<b>L x 1</b>	
<b>E x 1</b>		<b>M x 1</b>	
<b>F x 1</b>		<b>N x 2</b>	
<b>G x 1</b>		<b>O x 1</b>	
<b>Gi x 1</b>		<b>P x 2</b>	
<b>H x 2</b>		<b>Q x 1</b>	

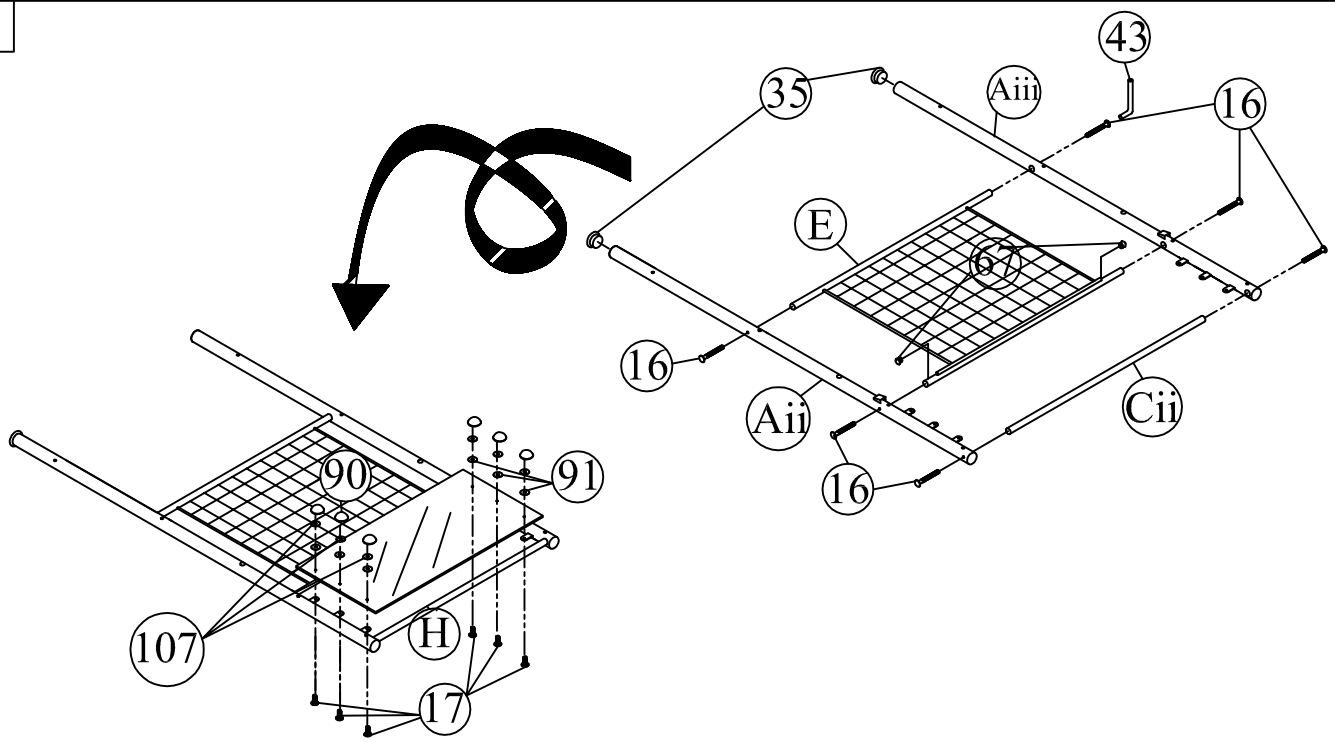
# COSMIC STUDIO SLEEPER - ASSEMBLY INSTRUCTION

1



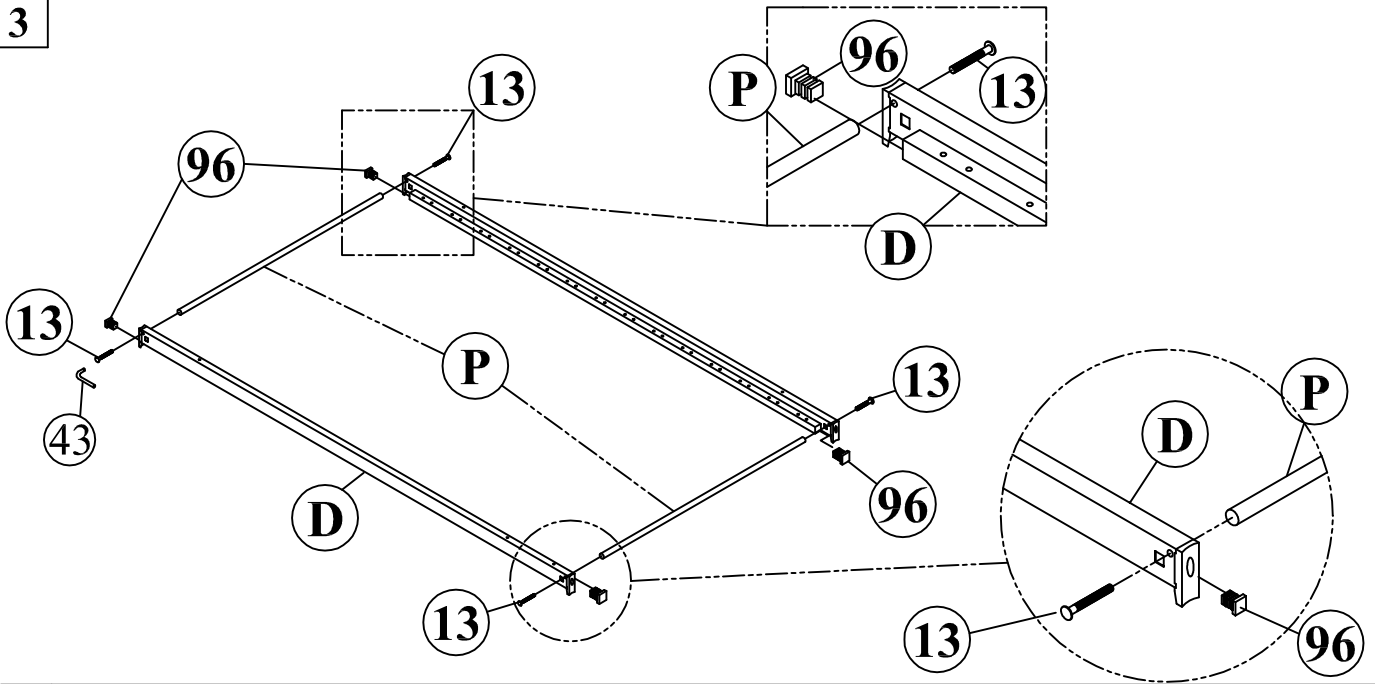
**Note:-**  
Glass panel should be properly adjusted to obtain the correct alignment before tightening

2

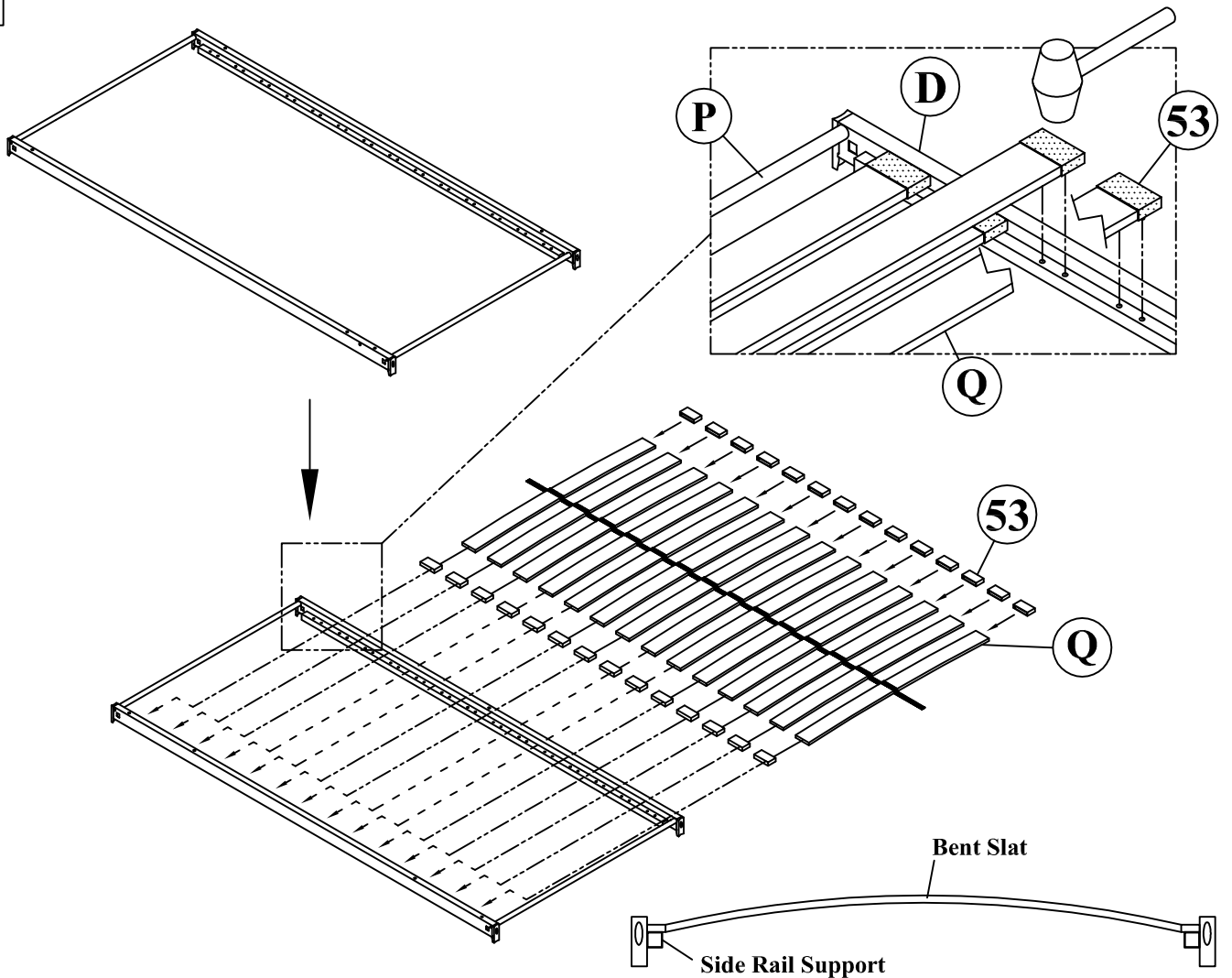


# COSMIC STUDIO SLEEPER - ASSEMBLY INSTRUCTION

3



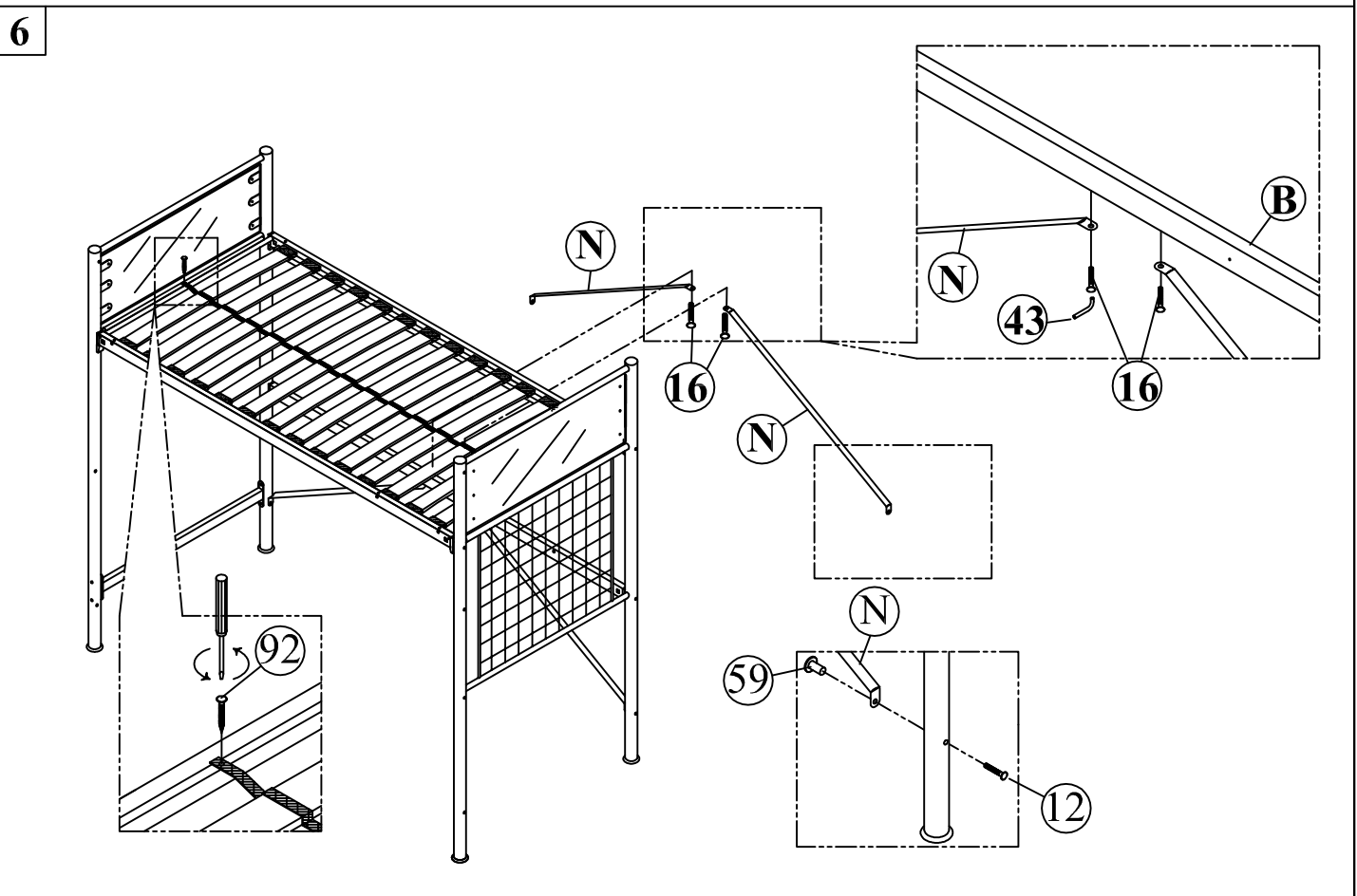
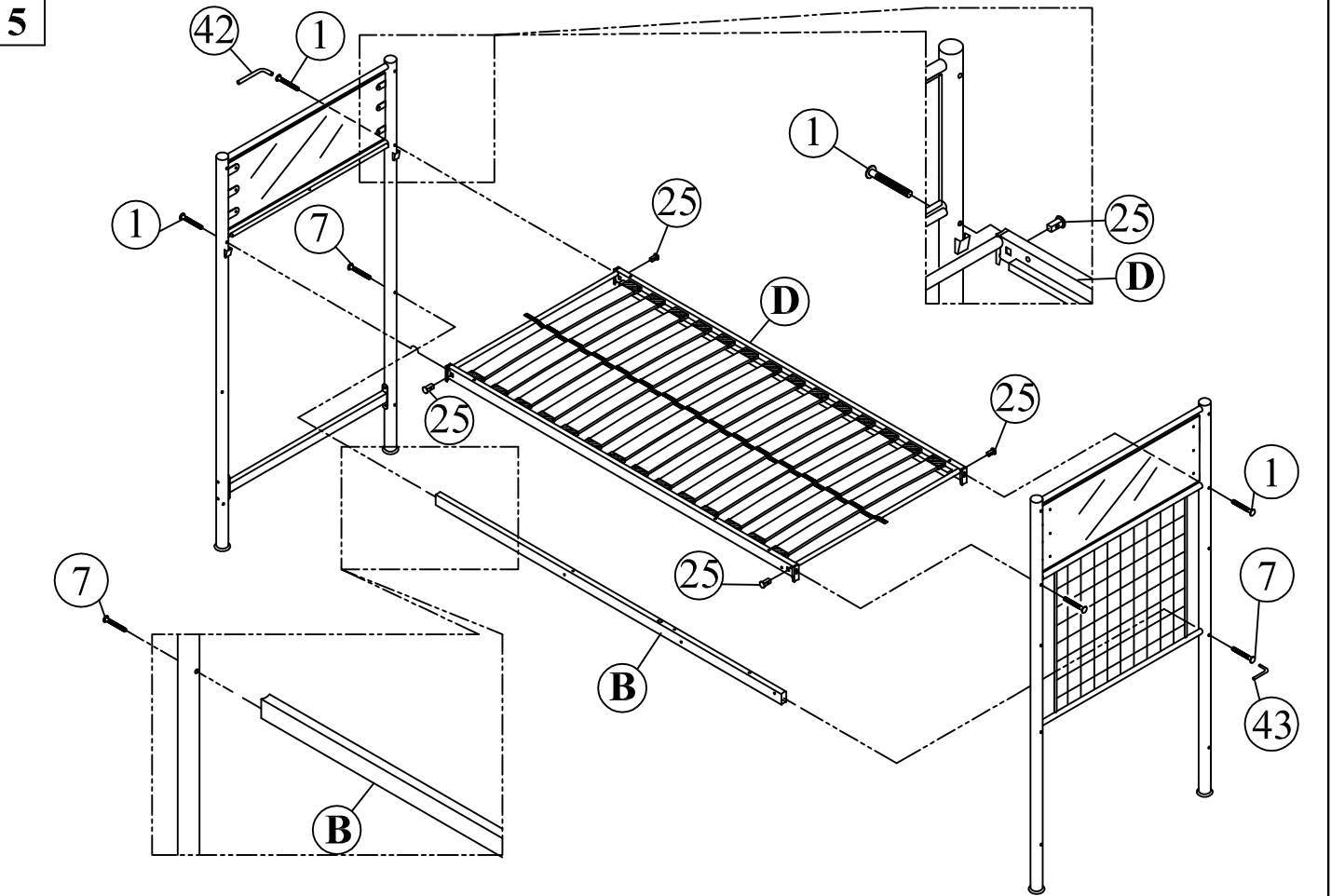
4



**Note: Slats must be attached with the curved part facing upward.**

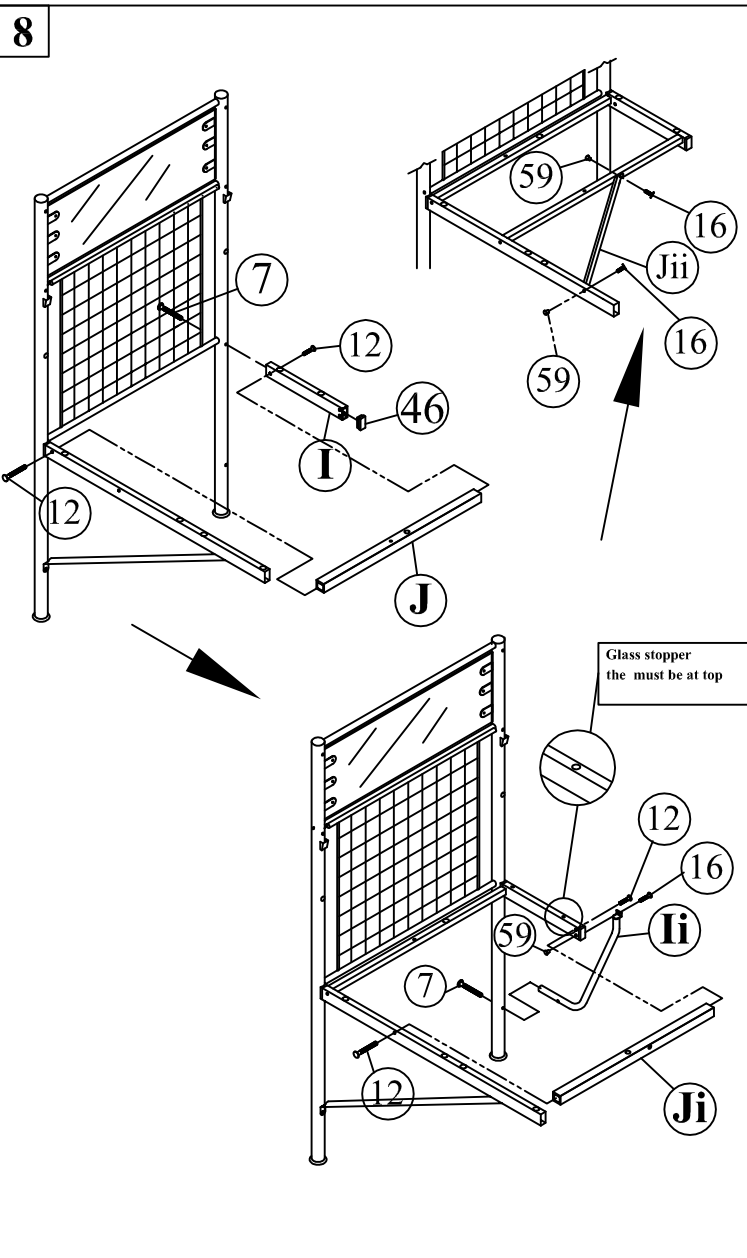
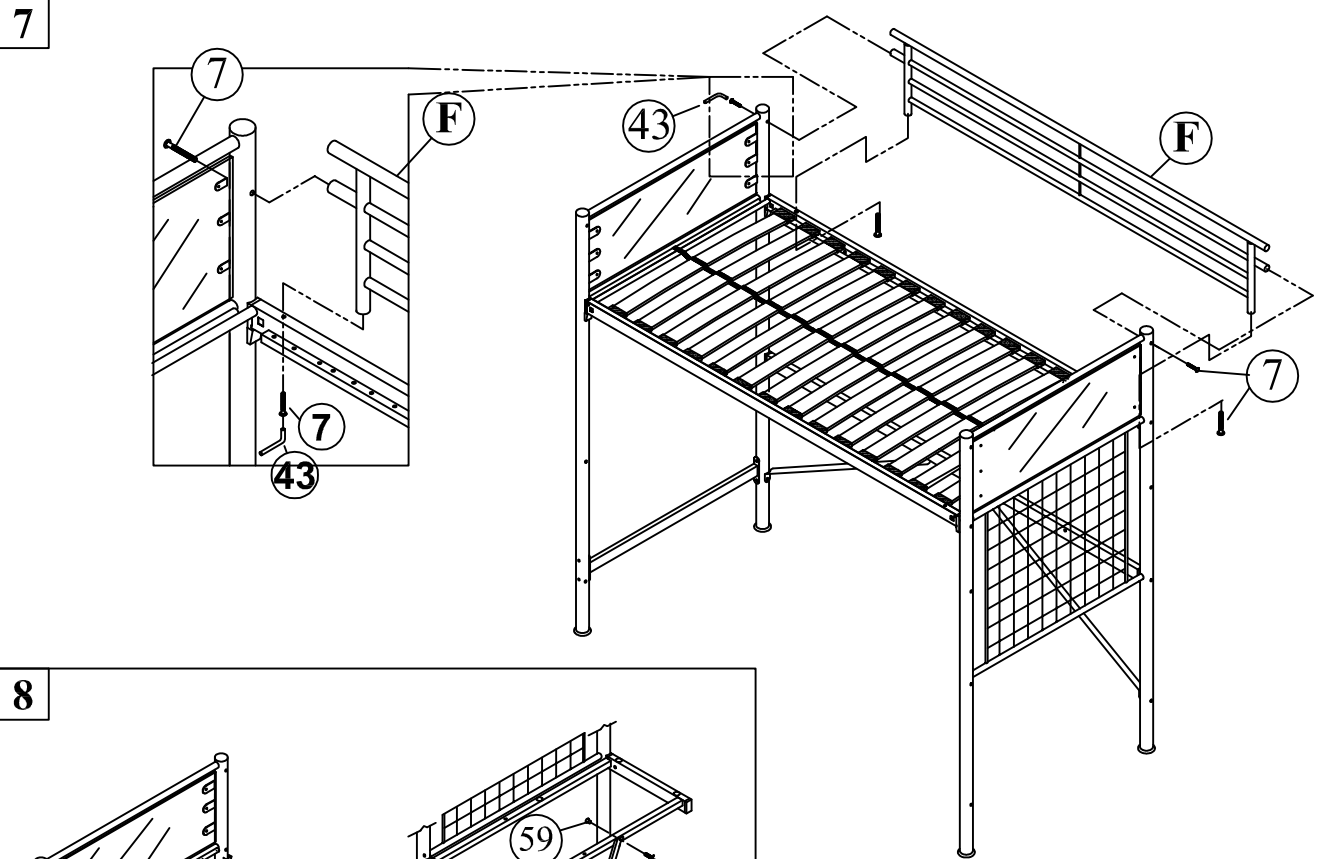
Approved by : .....

# COSMIC STUDIO SLEEPER - ASSEMBLY INSTRUCTION



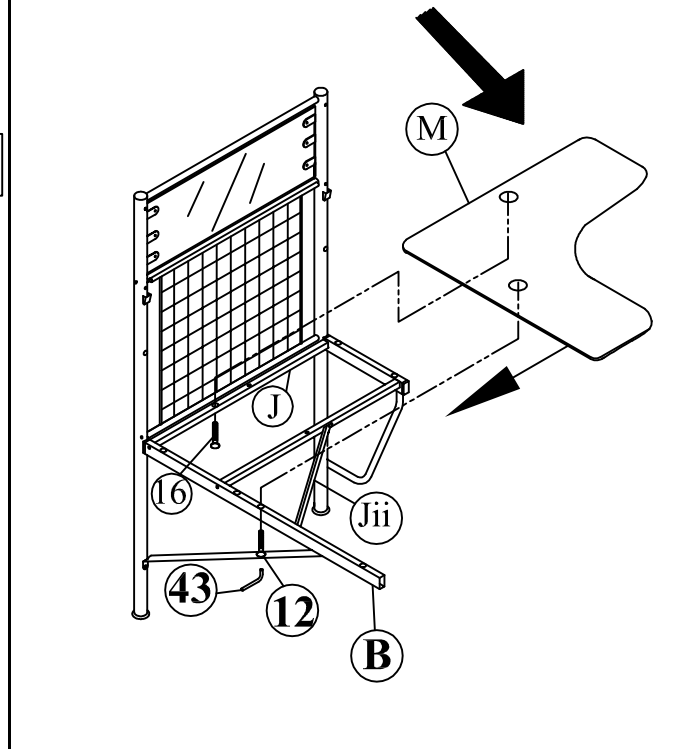
Approved by : .....

# COSMIC STUDIO SLEEPER - ASSEMBLY INSTRUCTION



**9**

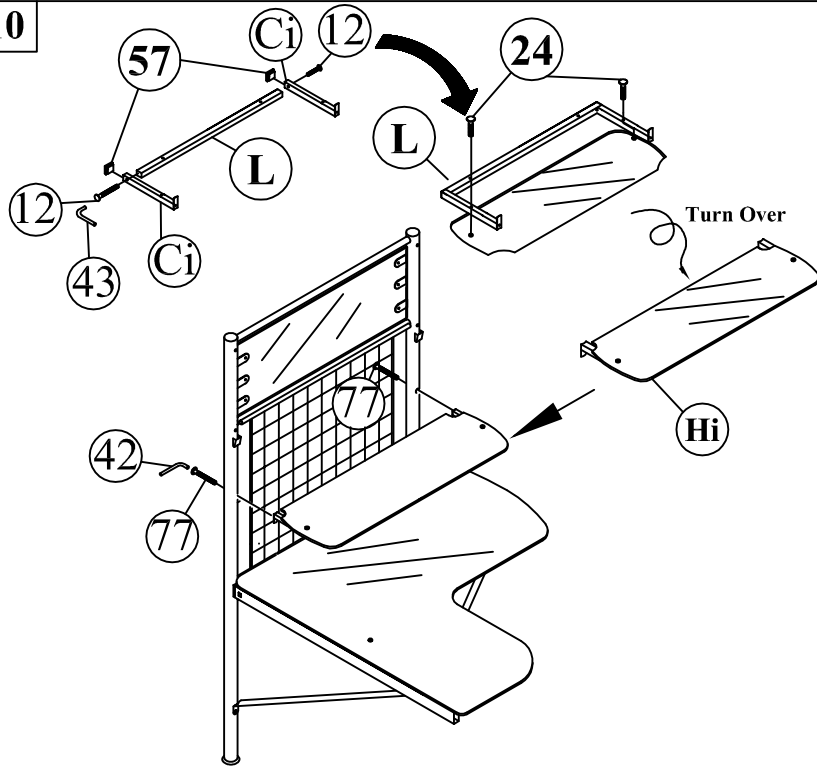
Please : put L shape glass (M) into part (B) and (J) first, after that fixing hardware (12) and (16)



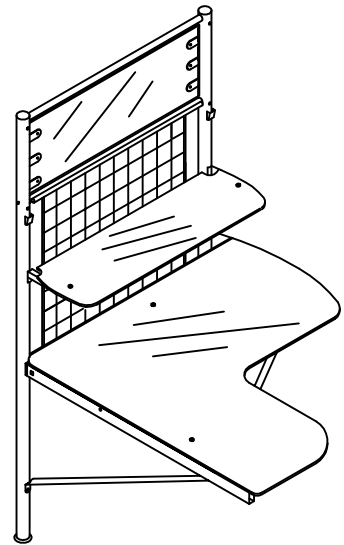
Approved by : .....

# COSMIC STUDIO SLEEPER - ASSEMBLY INSTRUCTION

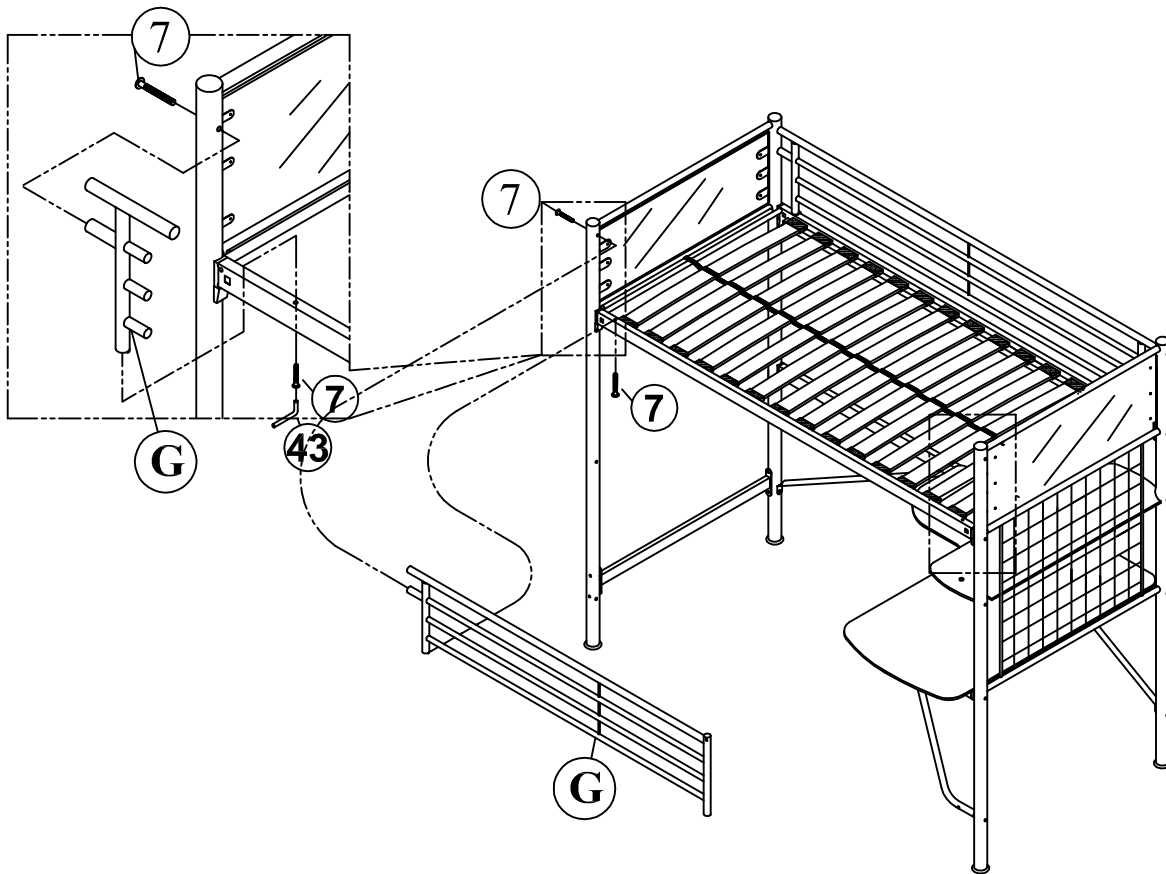
10



11



12

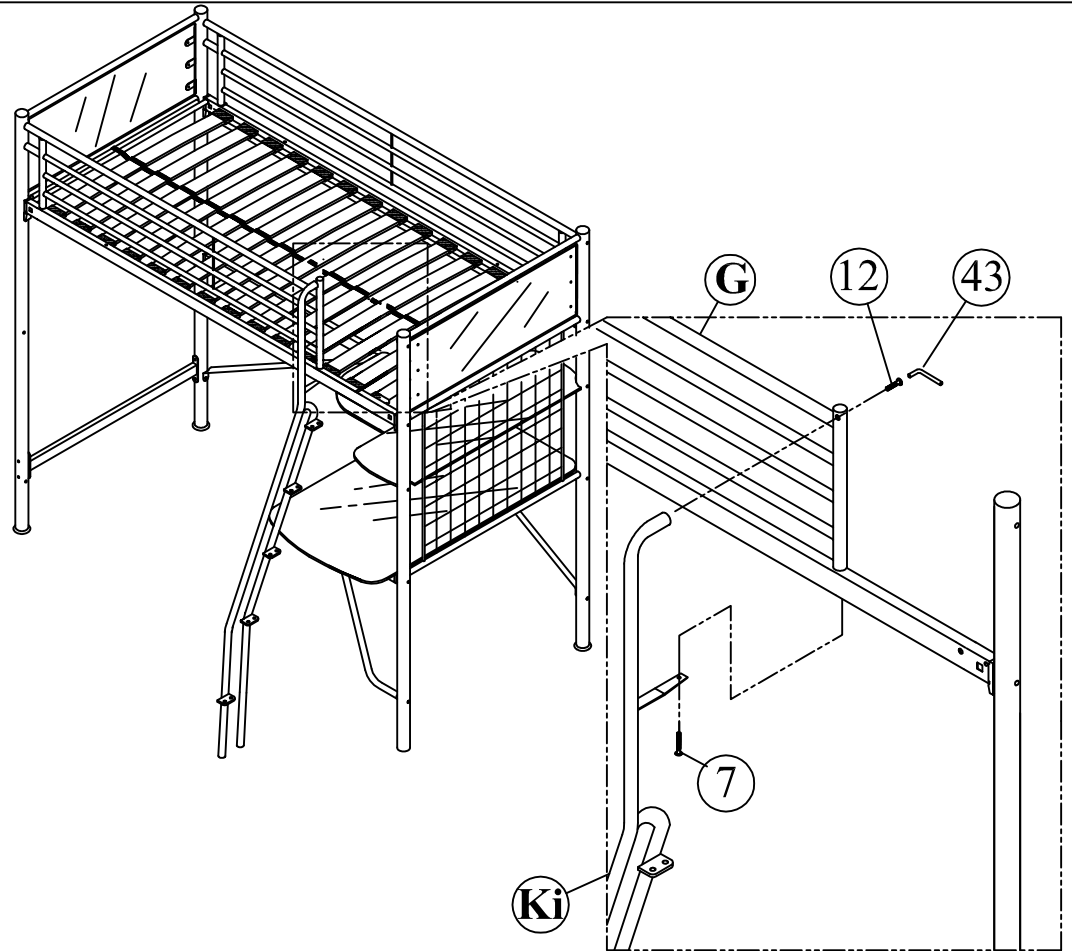


Approved by : .....

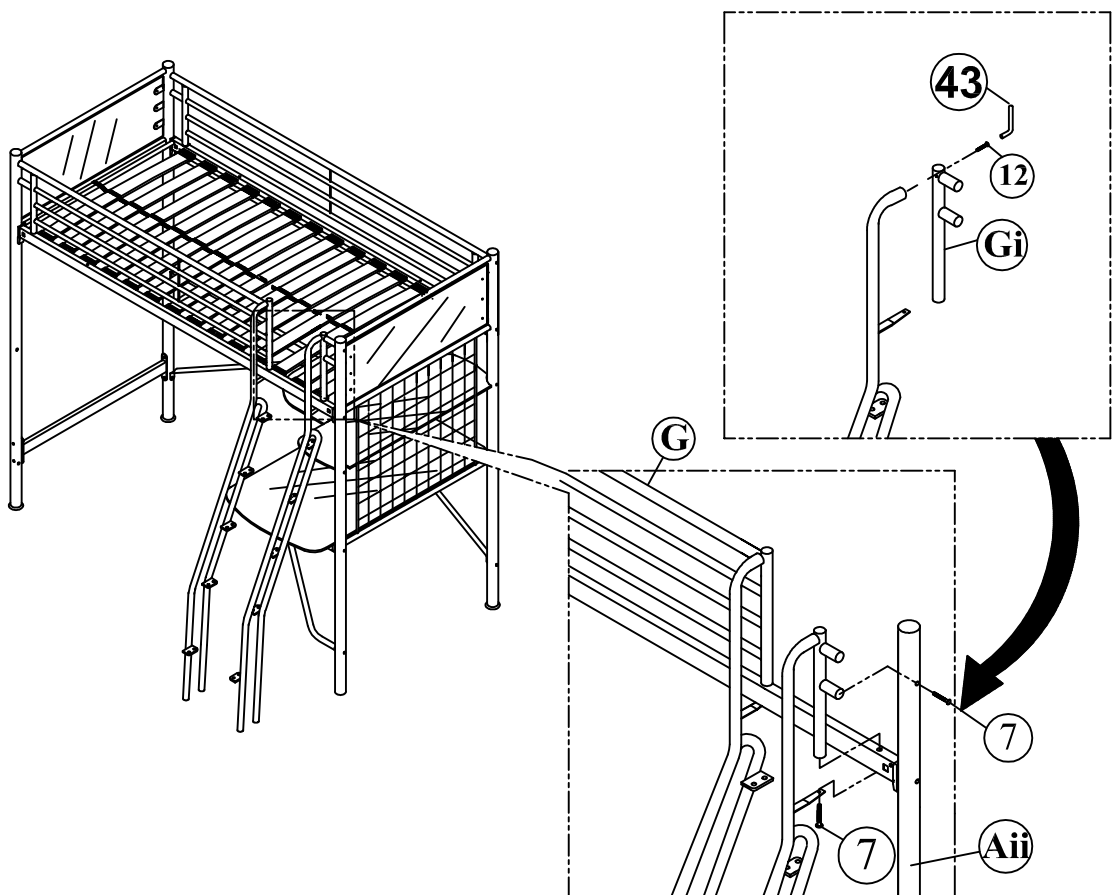


# COSMIC STUDIO SLEEPER - ASSEMBLY INSTRUCTION

13



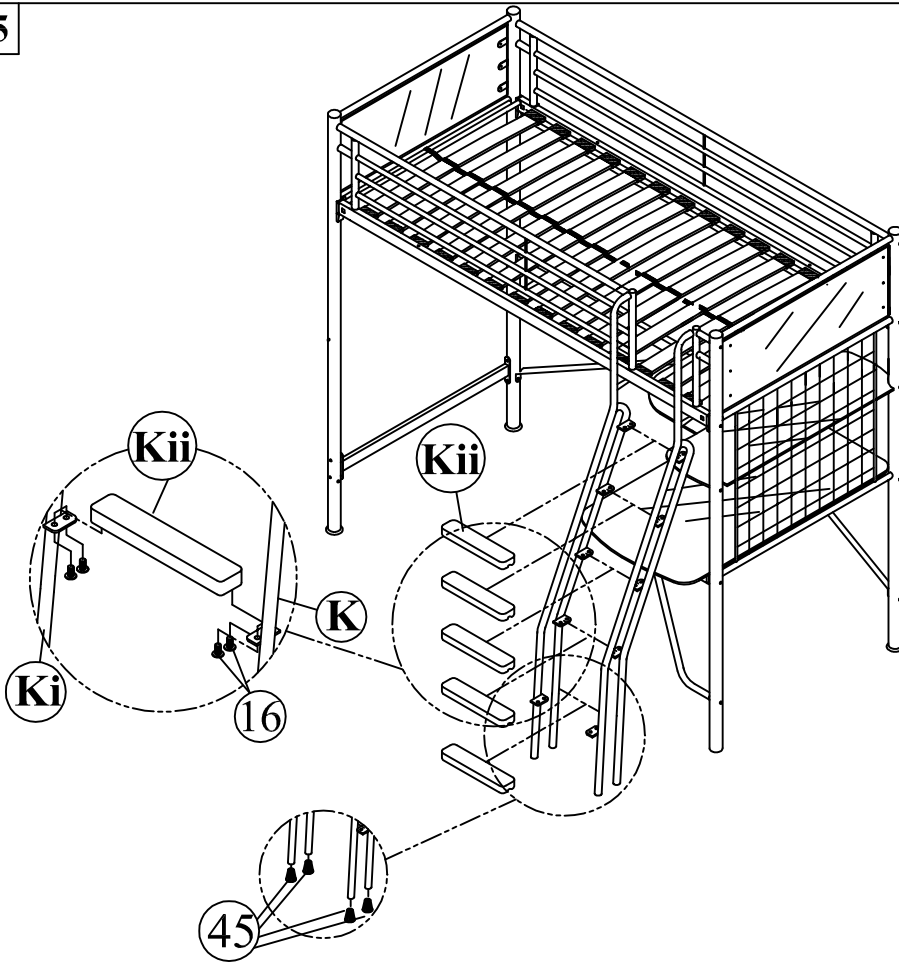
14



Approved by : .....

# COSMIC STUDIO SLEEPER - ASSEMBLY INSTRUCTION

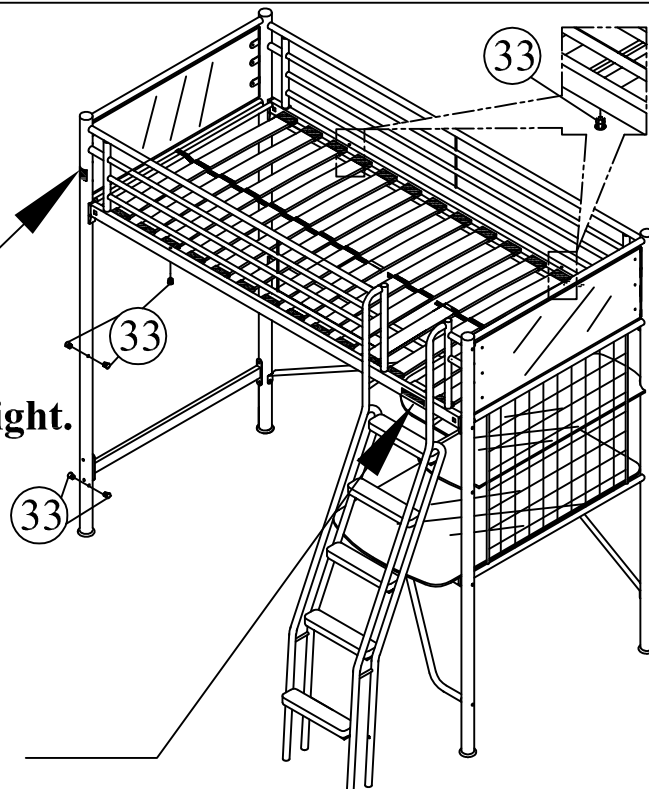
15



16

## Important note

The mattress should not be above this max. mattress height.



**Be aware of the danger of young children (under 6) falling from the upper bunk.**

IF this product is not received in satisfactory condition, please contact your retailer immediately and retain all packaging in case of return.

**All warranty will be void if packaging not retained.**