

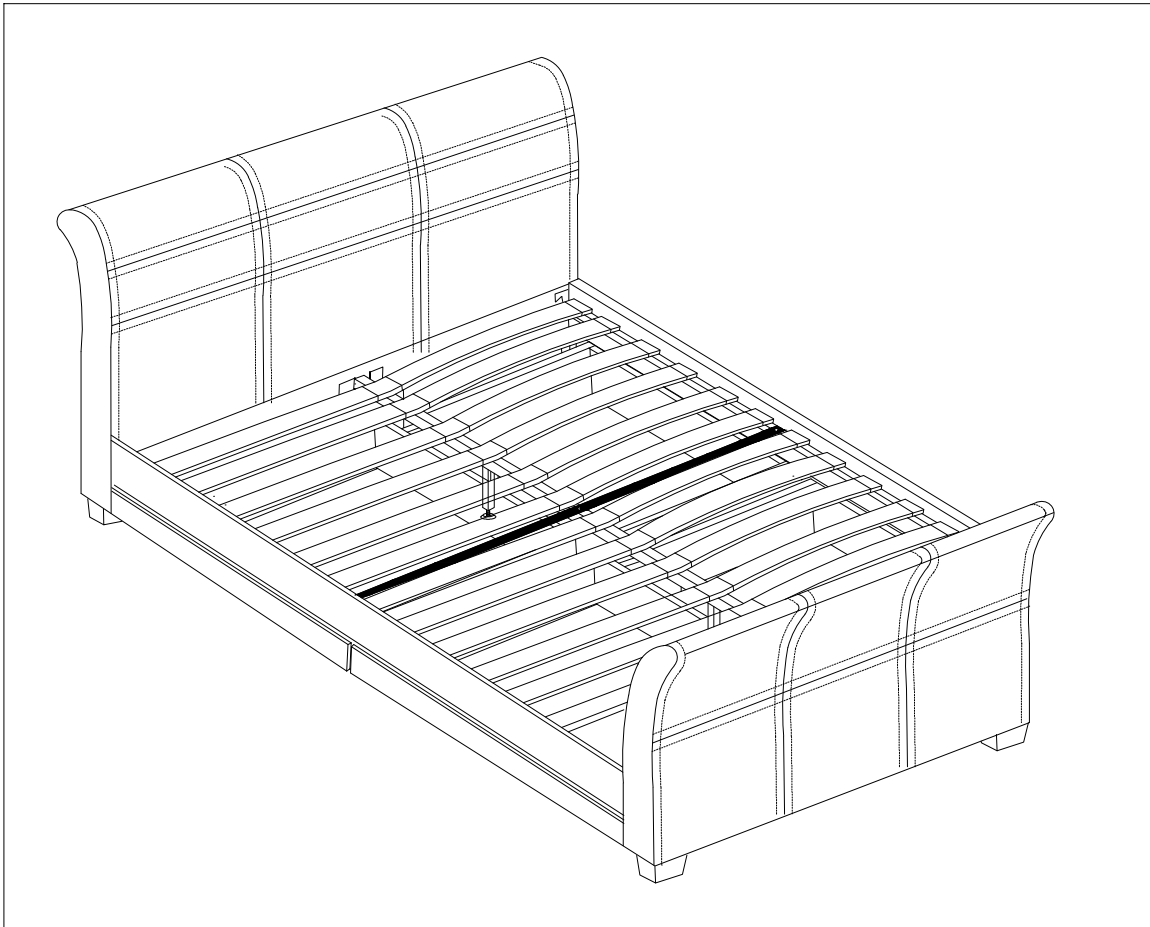
ASSEMBLY INSTRUCTION

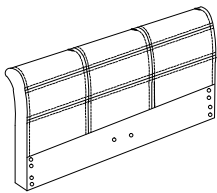
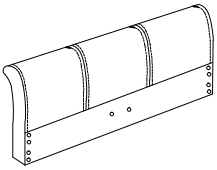
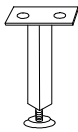
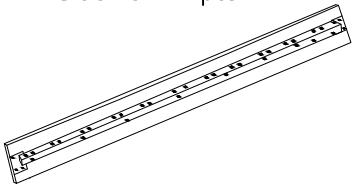
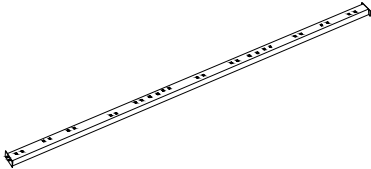
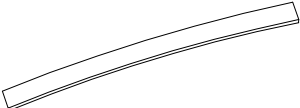


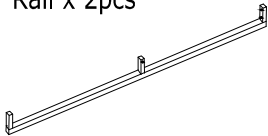
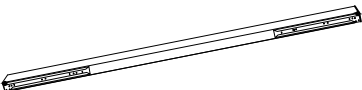
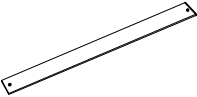
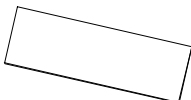

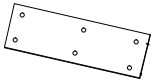
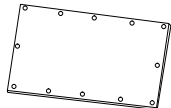

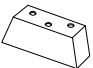

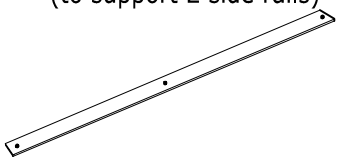
MONZA DRAWER BED

Important

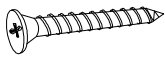
Please inspect all items carefully before assembling.
If for any reason you need to return this
Item, you must return it in its original packaging.
Assembled items cannot be returned.

- IMPORTANT NOTE: *PLACE ALL PARTS ON A CLEAN AND SMOOTH SURFACE
SUCH AS A RUG OR CARPET TO AVOID THE PARTS
FROM BEING SCRATCHED.
- *KINDLY FOLLOW THE ASSEMBLY INSTRUCTIONS STEP .
BY STEP.
 - *DO NOT TIGHTEN ALL SCREWS UNTIL THE BED IS FULLY
SET-UP.

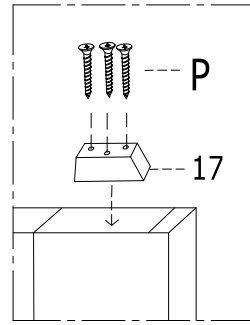
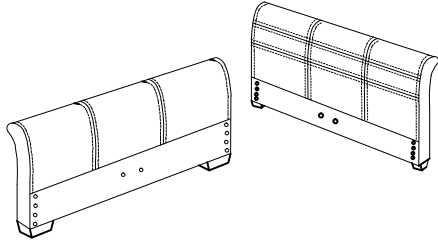


PART LIST		
<p>1. Headboard x 1pc</p> 	<p>2. Footboard x 1pc</p> 	<p>3. Support Leg I x 2pcs</p> 
<p>4. Side Rail x 2pcs</p> 	<p>5. Centre Support Bar x 1pc</p> 	<p>6. Slats x 26pcs</p> 
<p>7. Double Plastic Cap x13pcs</p> 	<p>8. Single Plastic Cap x 26pcs</p> 	<p>9. Metal Bar Under Side Rail x 2pcs</p> 
<p>10. Metal Bar for fixing drawer slide x 4pcs</p> 	<p>11. Metal Bar(923mm)x2pcs (to reinforce drawer system)</p> 	<p>12. Drawer Front Panel x 4pcs</p> 
<p>13. Drawer Side Panel x 8pcs</p> 	<p>14. Drawer Front Panel II x 4pcs</p> 	<p>15. Drawer Bottom Panel x 4pcs</p> 
<p>16. Drawer Back Panel x 4pcs</p> 	<p>17. Leg x 4pcs</p> 	<p>18. Support Leg II x 1pc</p> 
<p>19. Metal Bar(1375mm)x1pc (to support 2 side rails)</p> 		

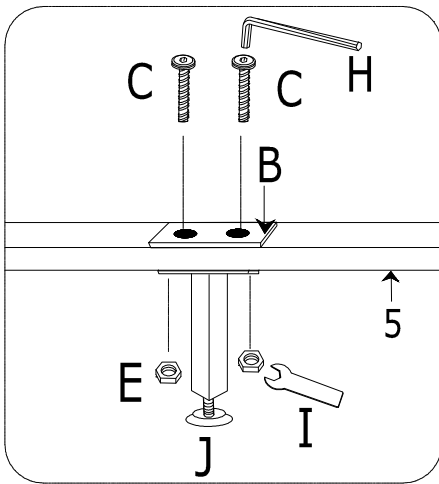
HARDWARE LIST

<p>(A) Bolt M8x30mm X 12pcs</p> 	<p>(B) Squareness Flat Washer II x 3pcs</p> 	<p>(C) Bolt M8x40mm x 13pcs</p> 	
<p>(D) Bolt M8x60mm x 8pcs</p> 	<p>(E) Nut M8x13mm x 21pcs</p> 	<p>(F) Spring Washer x 8pcs</p> 	
<p>(G) Flat Washer x 35pcs</p> 	<p>(H) Allen Key M5 x 1pc</p> 	<p>(I) Spanner x 1pc</p> 	
<p>(J) 3pcs</p> 	<p>(K) Nut x 32pcs</p> 	<p>(L) M5x50mm Screw x 32pcs</p> 	
<p>(M) M3x20mm Screw x 56pcs</p> 	<p>(N) M4x30mm Screw x 24pcs</p> 	<p>(O) Slide x 8pcs</p> 	
<p>(P) M5x50mm Screw x 12pcs</p> 	<p>(Q) M4x50mm Screw x 2pcs</p> 	<p>(W) M4x20mm Screw x 24pcs</p> 	<p>(Z) Bolt M8x45mm x 8pcs</p> 

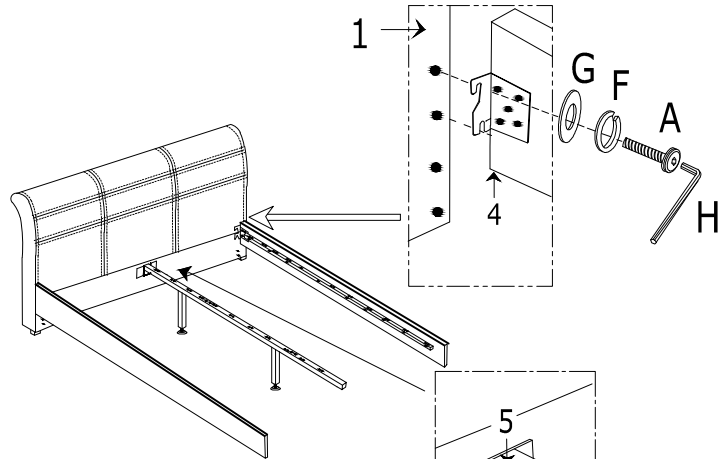
STEP 1 FIXING LEGS TO HEADBOARD AND FOOTBOARD



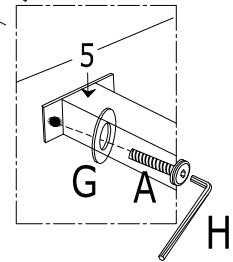
STEP 2 FIXING SUPPORT LEGS TO CENTRE SUPPORT BAR



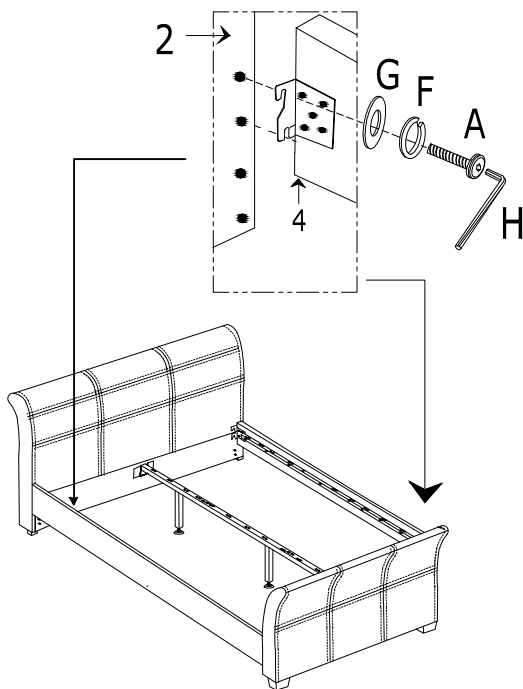
STEP 3 FIXING SIDE RAILS TO HEADBOARD



STEP 4 FIXING CENTRE SUPPORT BAR TO HEADBOARD

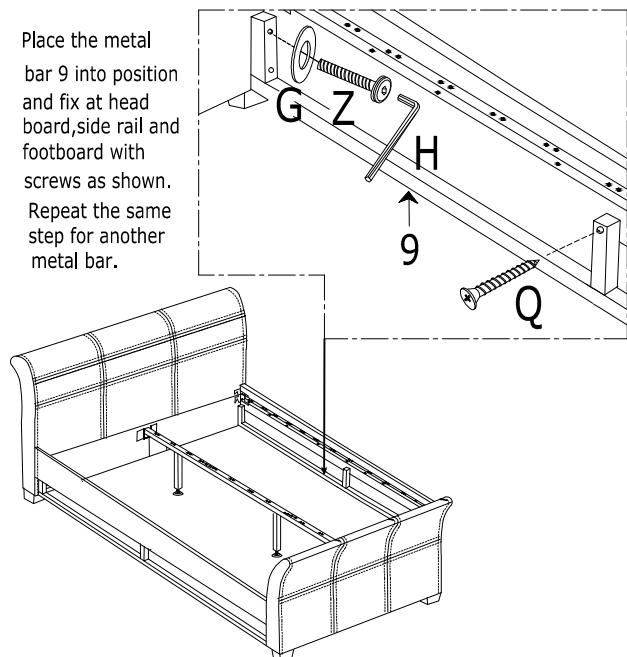


STEP 5 FIXING SIDE RAILS TO FOOTBOARD

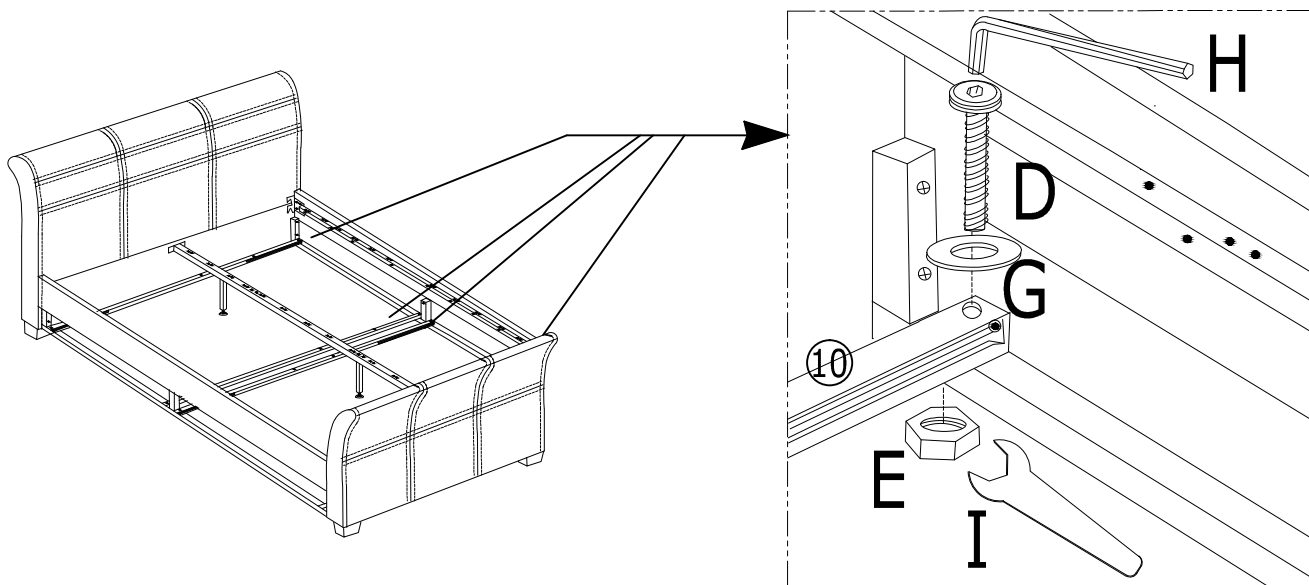


STEP 6 FIXING METAL BARS UNDER SIDE RAIL TO HEADBOARD, SIDE RAIL AND FOOTBOARD

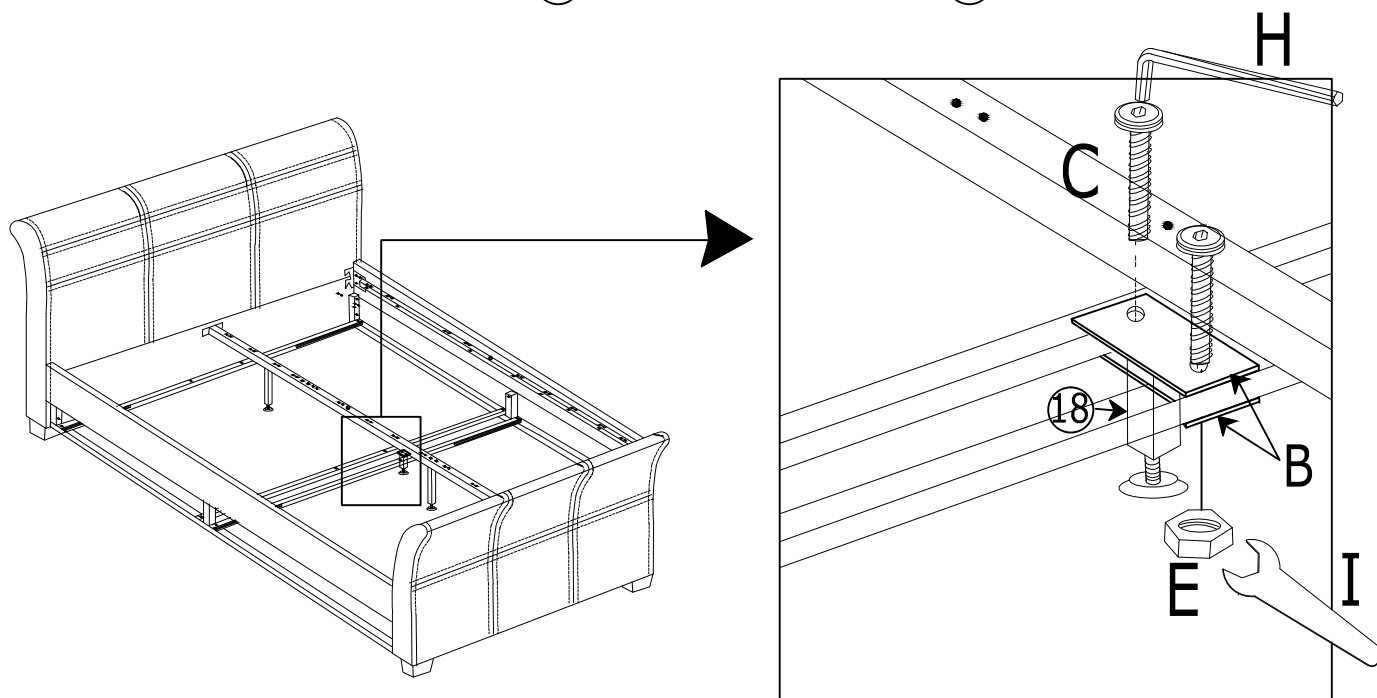
Place the metal bar 9 into position and fix at head board, side rail and footboard with screws as shown. Repeat the same step for another metal bar.



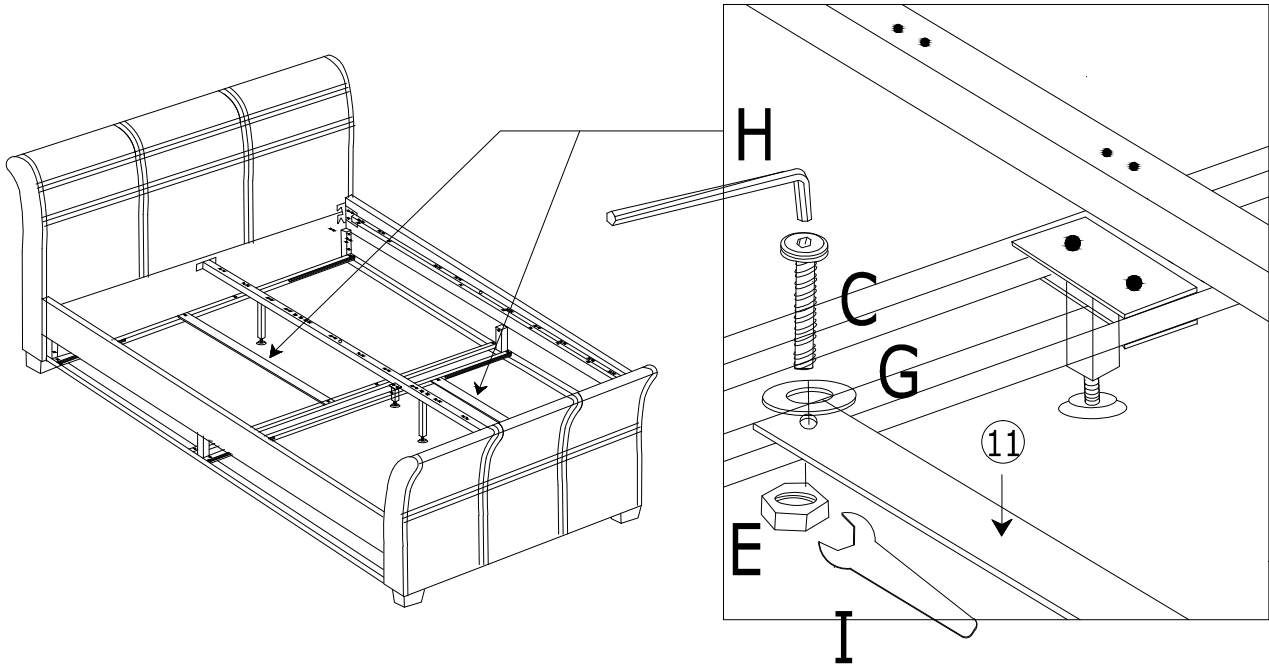
STEP 7 FIXING METAL BARS ⑩ TO HEADBOARD, FOOTBOARD AND SIDE RAILS



STEP 8 FIXING SUPPORT LEG II ⑱ ON TWO METAL BARS ⑩ AT CENTER OF BED

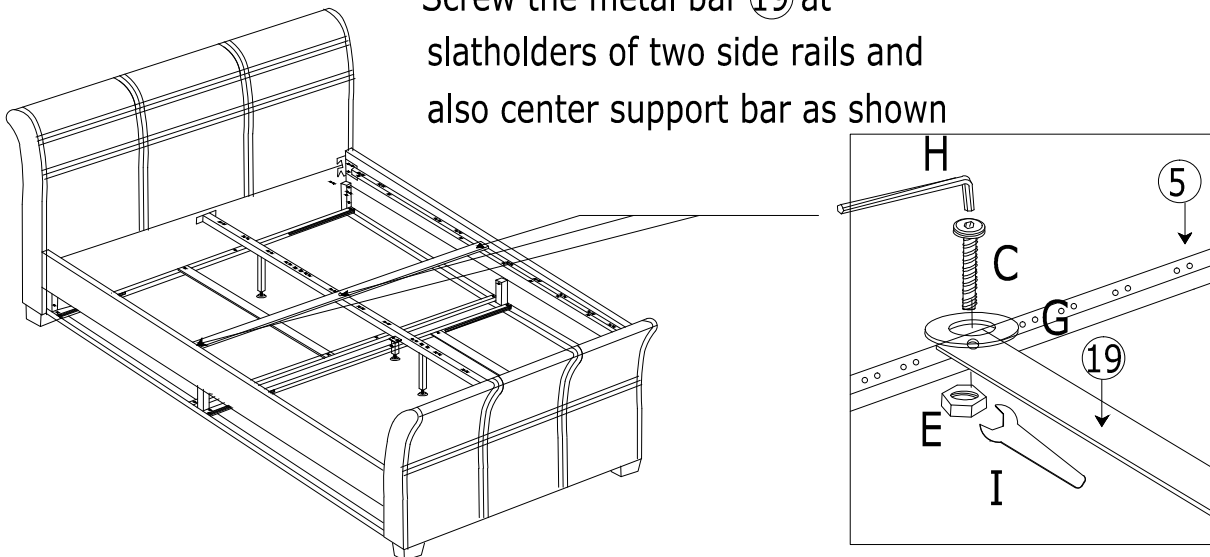


STEP 9 FIXING METAL BAR(923mm) ⑪ IN BETWEEN METAL BARS ⑩ WHICH HAVE BEEN ASSEMBLED AS SHOWN ,TO STRENGTHEN THE BED STRUCTURE.

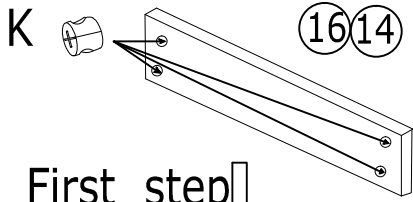


STEP 10 FIXING METAL BAR ⑲ ACROSS TWO SIDE RAILS

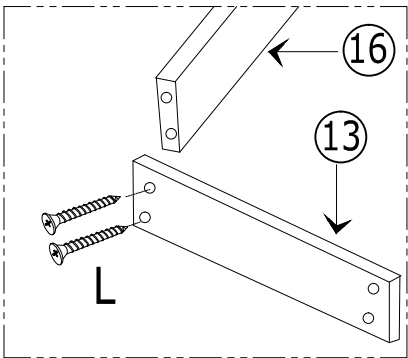
Screw the metal bar ⑲ at slatholders of two side rails and also center support bar as shown



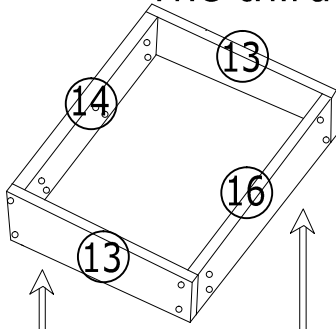
STEP 11 FIXING DRAWER SIDE PANELS TO DRAWER BACK PANEL



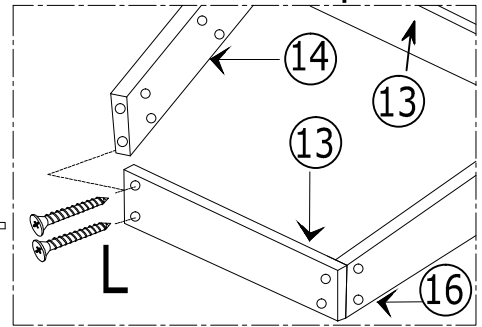
First step



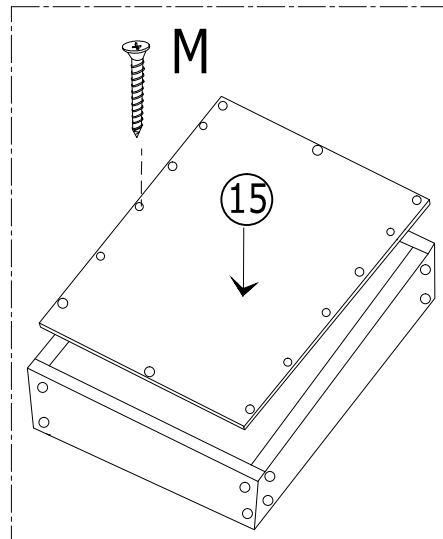
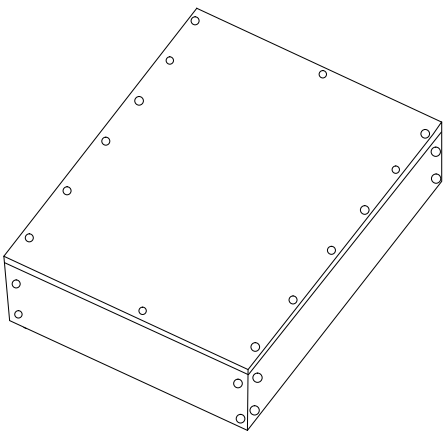
The third step



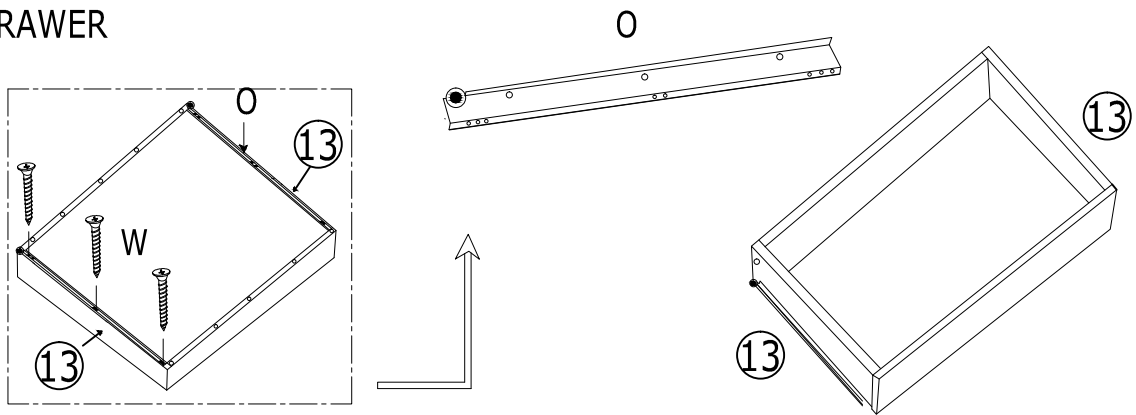
The second step



STEP 13 FIXING DRAWER BOTTOM PANEL

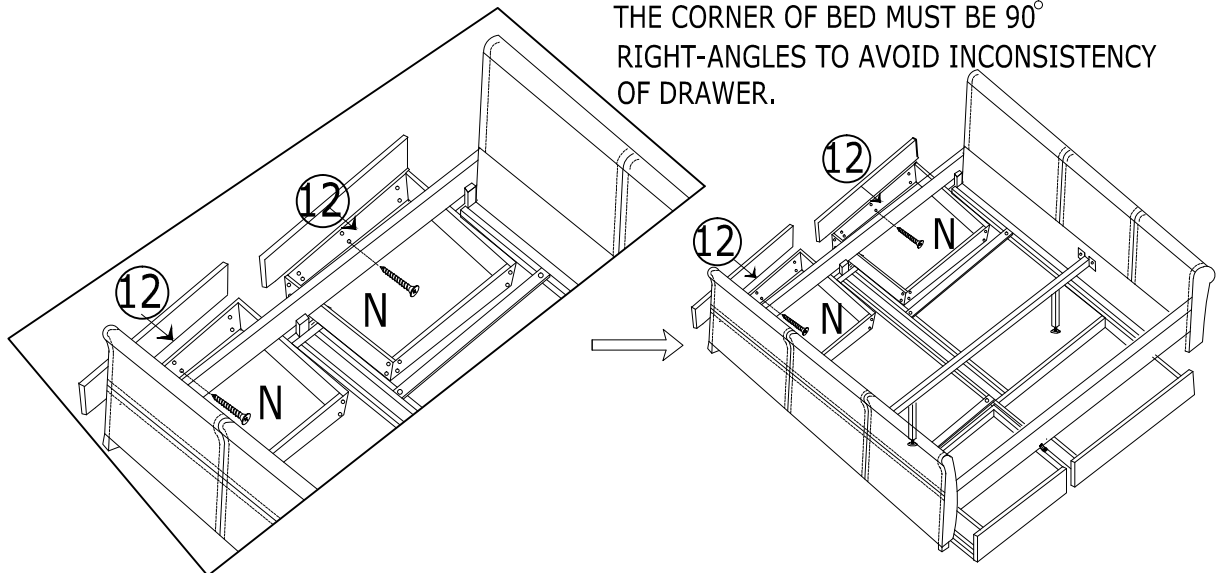


STEP 14 FIXING SLIDES TO DRAWER



STEP 15 SLOT IN THE DRAWERS

REMARKS: BEFORE WE SLOT IN THE DRAWERS, THE CORNER OF BED MUST BE 90° RIGHT-ANGLES TO AVOID INCONSISTENCY OF DRAWER.



STEP 16 FIXING PLASTIC CAPS AND SLATS

