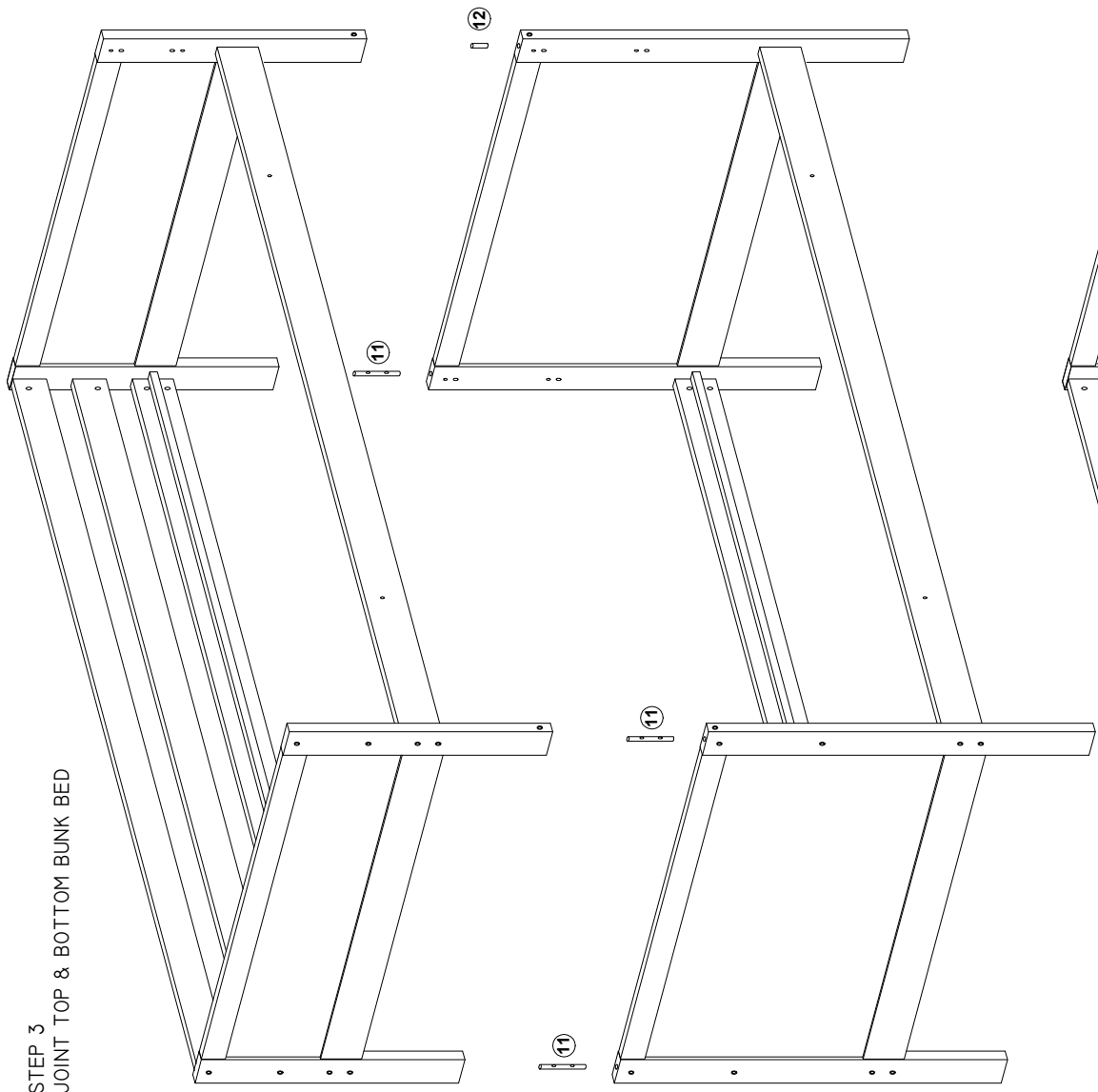
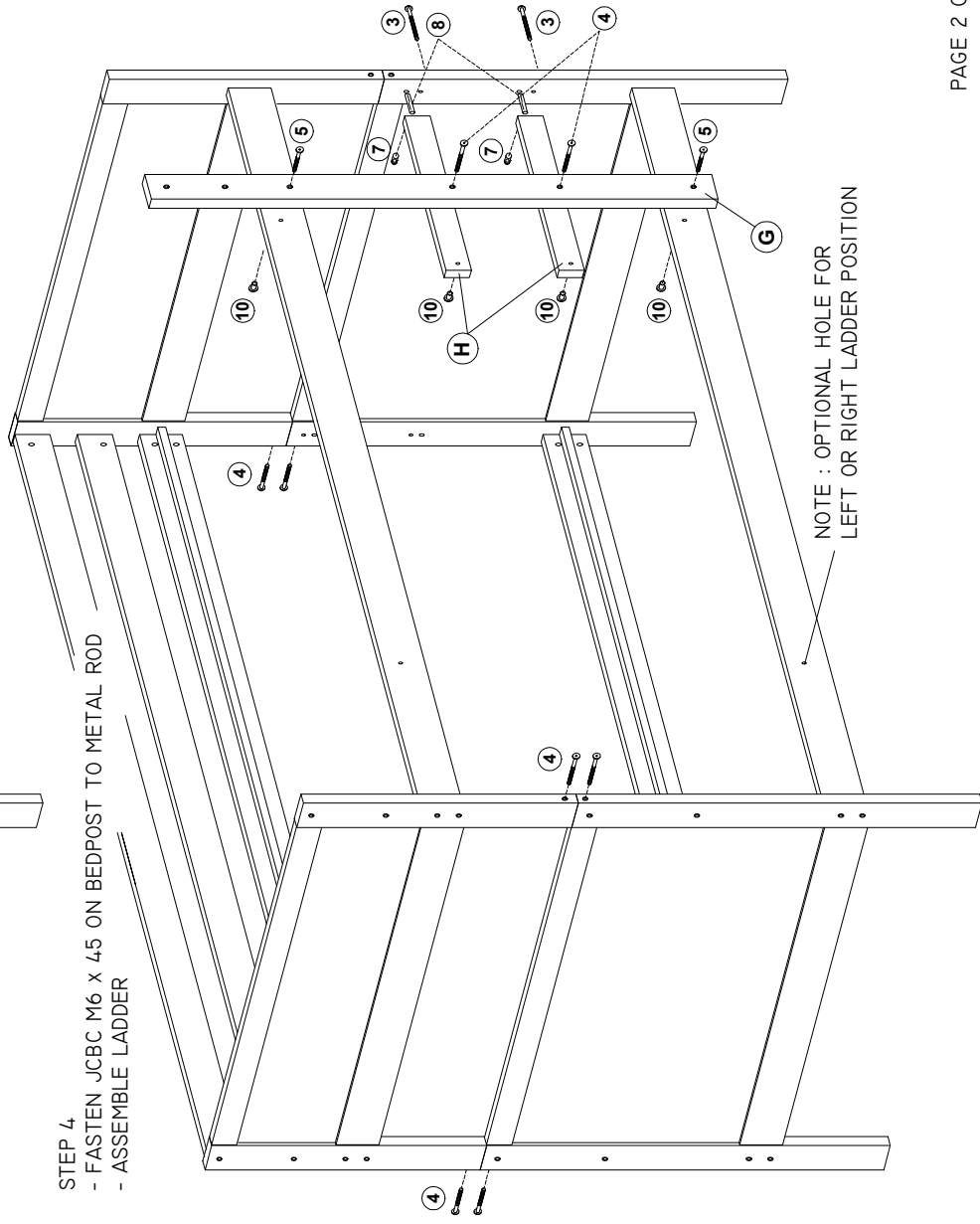


STEP 3
JOINT TOP & BOTTOM BUNK BED



STEP 4
- FASTEN JCBC M6 x 45 ON BEDPOST TO METAL ROD
- ASSEMBLE LADDER



NOTE : OPTIONAL HOLE FOR
LEFT OR RIGHT LADDER POSITION