



2-N-1 Expandable™ 12ft X 20ft / 20ft x 20ft

19ft7in Wide x 20ft Deep x
10ft3in Center Height (12x20) / 11ft7in Center Height (20x20)



King Canopy Item #: EX1220

With 8 Legs, Cover with Leg Skirts (12x20 and 20x20), Foot Pads,
Elastic Ball Straps and Center Leg Straps.



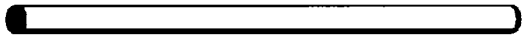


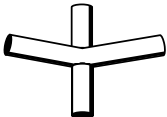


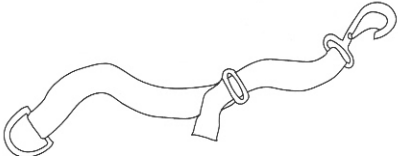
Distributed by:
PIC America, LTD.
1730 Five Points Lane • Fuquay-Varina, NC 27526
1-800-800-6296 • www.kingcanopy.com

WARNING:

Keep all flame and heat sources away from this tent fabric. Meets the flammability requirements of CPAI-84 Section 6 and NFPA-701. It is not fire proof. The fabric will burn if left in continuous contact with any flame source.



PARTS LIST

6X3-2PC1	8 pc	(A) 75.25" x 2" Pipes	
6x3-2PC2	8 pc	(B) 72.25" x 2" Double Swedge Pipes	
6x6-15PC	9 pc	(C) 77.5" x 1.5" Pipes	
3x9-2PC	8 pc	(D) 45" x 2" Swedge Pipes Used in Roof to Expand to 20ft x 20ft	
3W1915PC	6 pc	3-way Connectors	
4W1915PC	6 pc	4-way Connectors	
BALLW	100 pc	White Elastic Ball Straps	
PFOOT2	8 pc	2" Foot Pads	
PTCL1020VS	4 pc	Center Leg Straps	



2-n-1 Cover with Leg Skirts
TFC1220EX (1)
Side A (Labeled) TFC1220A (1)
Side B (Labeled) TFC1220B (1)



Narrow Center Cover Section
with Zippers for 12ftx20ft
TFC122012 (1)
(Labeled for 12ft)



Wide Center Cover Section
with Zippers for 20ftx20ft
TFC122020 (1)
(Labeled for 20ft)

FRAME ASSEMBLY



Decide which canopy size you would like to assemble, 12ft x 20ft or 20ft x 20ft, and lay out the parts according to the diagrams below. The large diameter pipes are used to form the roof rafter and the small diameter pipes are used to form the length of the canopy. Set aside eight (A) 77.5 inch large diameter pipes for the legs. **Note: Connect pipe together starting with the center peak of frame, then roof rafters and then sides of frame.**

Diagram # 1 12ft x 20ft Frame Layout

Please Note: The (C) 77.5 inch small diameter pipes are used to form the length of the canopy. The (B) 77.5 inch large diameter pipes are used for roof rafters and legs.

NOTE: DO NOT PUT LEGS IN FRAME UNTIL YOU HAVE ASSEMBLED COVER AND ATTACHED COVER TO FRAME

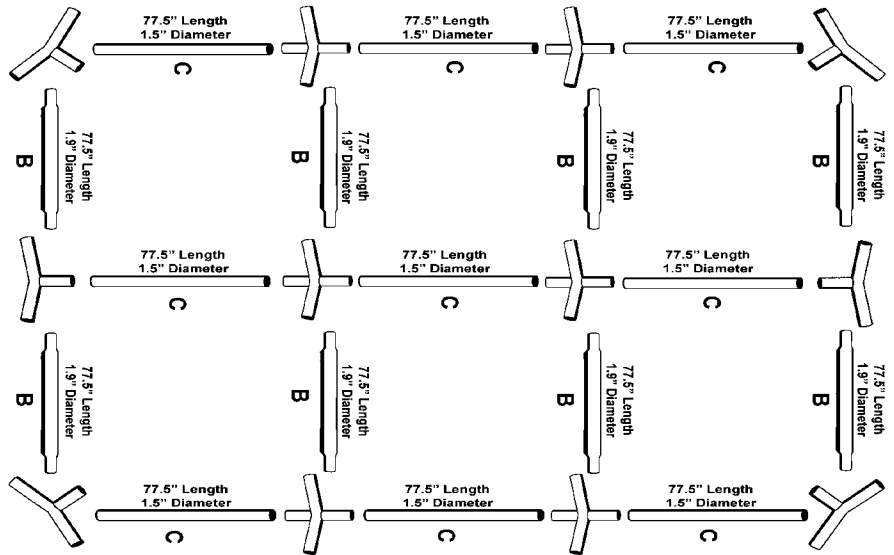
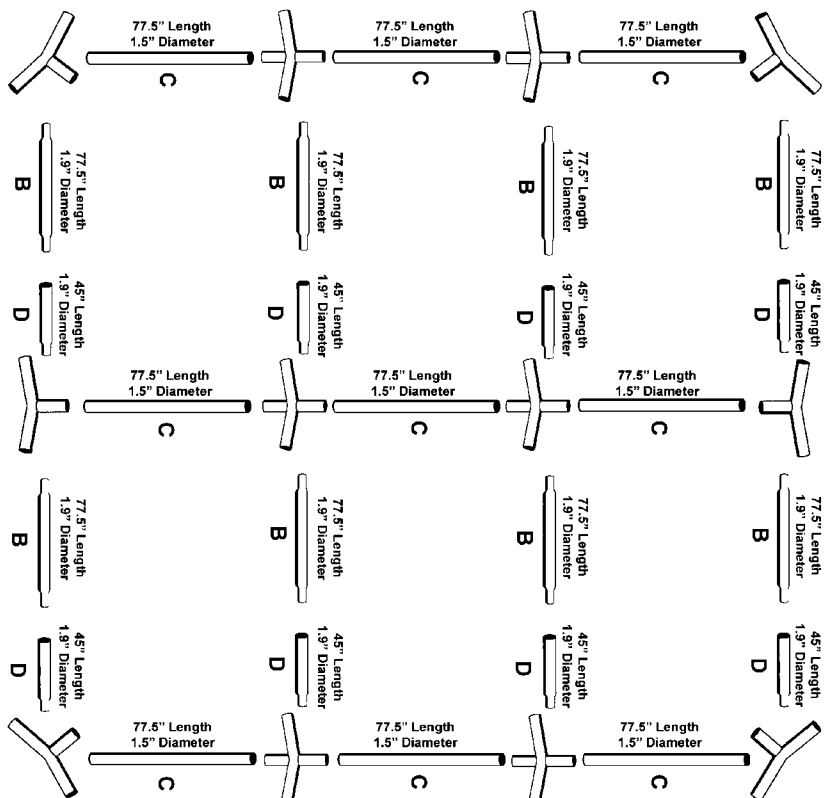


Diagram # 2 20ft x 20ft Frame Layout

Please Note: The (C) 77.5 inch small diameter pipes are used to form the length of the canopy. The eight (D) 45 inch large diameter swage pipes are joining together with eight (B) 77.5 inch large diameter pipes to form the roof rafters. The remaining eight (A) 77.5 large diameter pipes are for the legs.

NOTE: DO NOT PUT LEGS IN FRAME UNTIL YOU HAVE ASSEMBLED COVER AND ATTACHED COVER TO FRAME

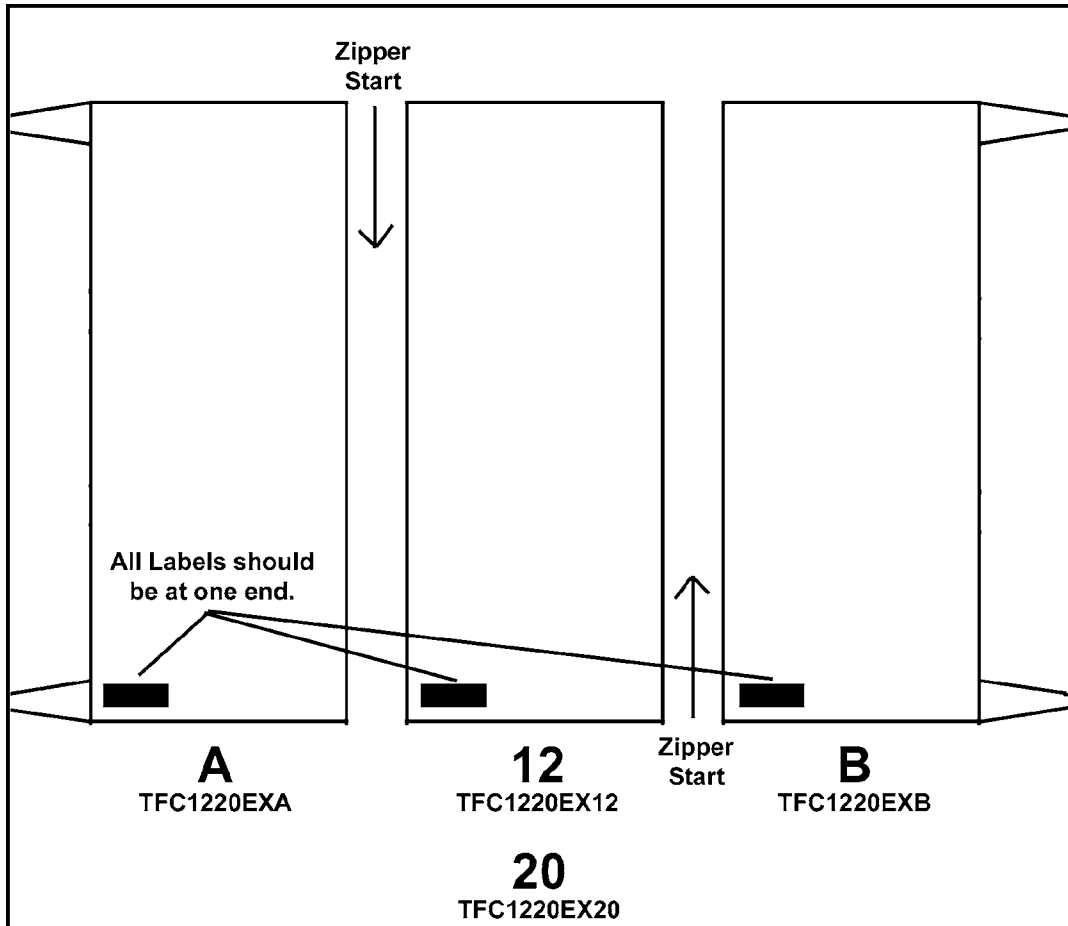




PREPARING COVER FOR FRAME

Using the diagram below choose the cover parts to assemble the cover to fit the frame size you have assembled. All cover parts are labeled. The A and B labeled sides of top are used with either the 12ft wide or the 20ft wide cover. Make sure the labels are at the same ends of frame before zipping the cover together.

Please Note: The center section of cover will zip from opposite ends when labels are correct and at one end of frame.



ZIPPING COVER PIECES TOGETHER

Your cover sections have heavy duty zippers that are easy to zip together. To assemble the cover size you have chosen, place the 12ft or 20ft center section over the peak of frame. Locate the A and B sections of the cover and place on each side according to diagram above. You can fold the A and B section upside down back over the center section and zip the two pieces together or you can zip together by going under the frame. Once you have zipped parts together be sure to line up and place the Velcro flap over the zipper line to hold covers together.



ATTACHING COVER WITH BALL STRAPS

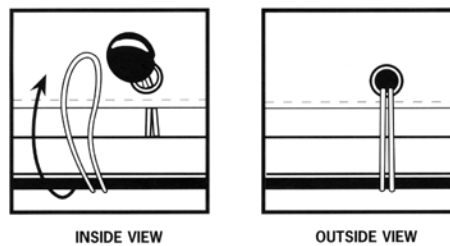


Step 1

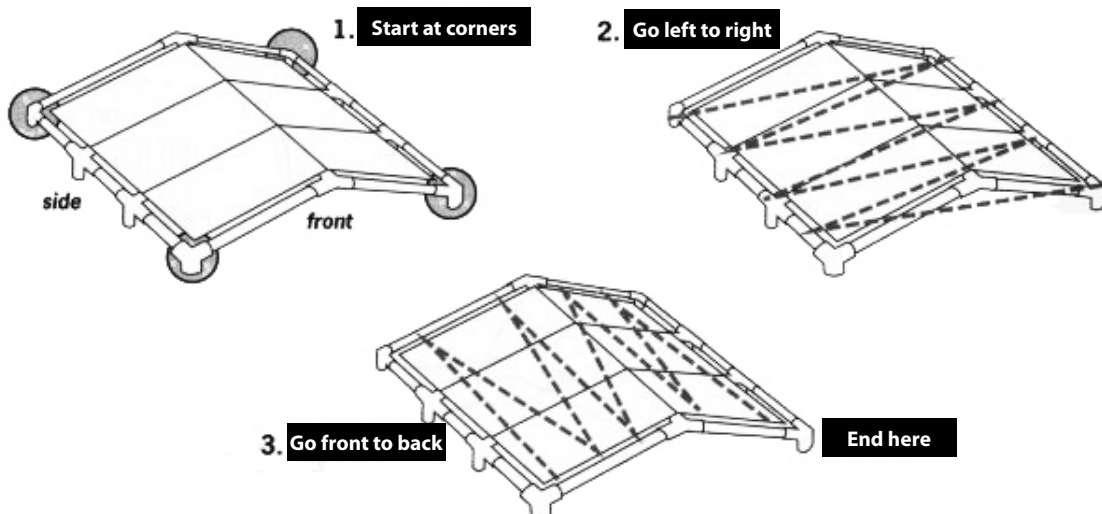
When the cover has been assembled the leg skirts should be at each corner. The flared leg skirts should be over each of the corner slip-in fittings where the legs will be inserted. (Attachment of these valances will be discussed later). Fold the leg skirts and A-frame ends of the cover back over the top and begin attaching the cover with the elastic ball straps.

Step 2

Begin attaching the cover with the elastic ball straps by inserting the elastic cord of the ball strap underneath the cover and through the grommet. Then pull cord taut until ball stops. Wrap the cord around the pole and under the ball. This will hide the ball under the cover and provide a more finished look to your unit.



- Start by attaching 2 elastic ball straps at each of the four corners
- Continue attaching straps from left to right in a zigzag pattern down both sides of the canopy
- Attach straps at the front and back of the unit, again using a zigzag pattern until all straps are secured



Note:

The ball straps are long enough to accommodate various cover lengths. If your straps need a tighter fit, they can be shortened by making an additional knot in the cord strap. Slide the ball upward to reveal the tied knot. Tie a new knot above the old one. The size of the knot will determine how short the strap becomes. Slip the ball down over the new knot and secure.



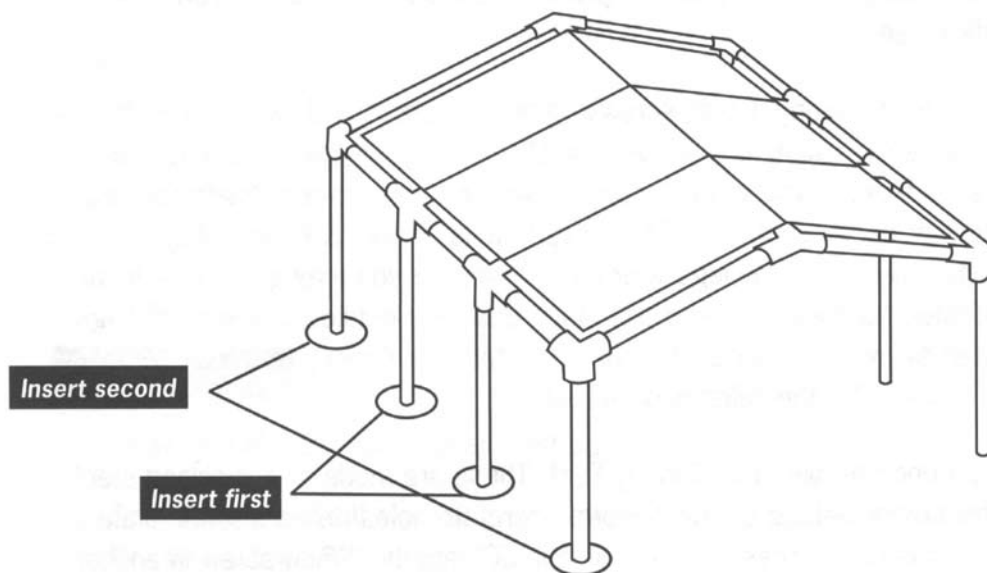
LEGS ASSEMBLY

NOW, CONNECT THE LEG POLES TO THE ROOF ASSEMBLY WITH THE COVER ALREADY POSITIONED ON TOP OF THE UNIT. (The diagram below illustrate the underside of cover with the grommet holes. The leg valances and A-Frame ends are not shown in illustration.)

Step A: First insert the pipes for the middle poles into the 3- and 4-way connectors, and then connect the end leg pipes in the same way. (See illustration) The leg pipes are the (A) 75.25in pipe with single swedge end.

Step B: Push the eight foot pads onto the bottom of each leg.

NOTE: the foot pads are NOT for anchoring the canopy!



ATTACHING LEG SKIRTS TO FOOT PADS

Your Expandable Canopy has leg skirts for corner legs. Make sure the footpads have been inserted on the leg pipes and hook part is turned out. Attach the ring at the bottom of the skirt over the hook on the footpad. Pull the adjustment strap to tighten. **CAUTION: Do not over-tighten strap or you could damage hooks and leg skirt.** (See Picture to right)

The center legs have leg straps only. They connect to a grommet hole in the top cover and attach to the foot pads same as the corner leg skirts. The straps will keep the cover from flapping in the wind.

NOTE: The canopy footpads are not intended for anchoring. You may insert large nails through the holes into the ground to keep the legs from sliding.



IMPORTANT! Once the legs and cover are assembled, your canopy will act like a kite in the wind. It is imperative that the canopy anchors be installed NOW!

ANCHORING YOUR UNIT



This canopy is designed for use as a temporary structure. After assembly, the canopy **MUST BE** securely anchored to the ground to prevent damage from winds. Your canopy will act like a kite in the wind if not properly and securely anchored to the ground. Severe winds will cause the frame to twist and unanchored legs will fall, thereby collapsing the canopy. If severe winds are expected, you must remove the cover from the frame to prevent damage.

Step 1

Measure out at least 36in from each leg. Screw each anchor into the ground leaving 2in between the ground and the eye of each anchor. We strongly recommend that your unit be anchored 36in from each leg although this may not be possible in all cases. **DO** install anchors as close to 36in away from legs as possible.

Step 2

Tie anchor cable or rope around the connector at the top of each leg of the canopy.

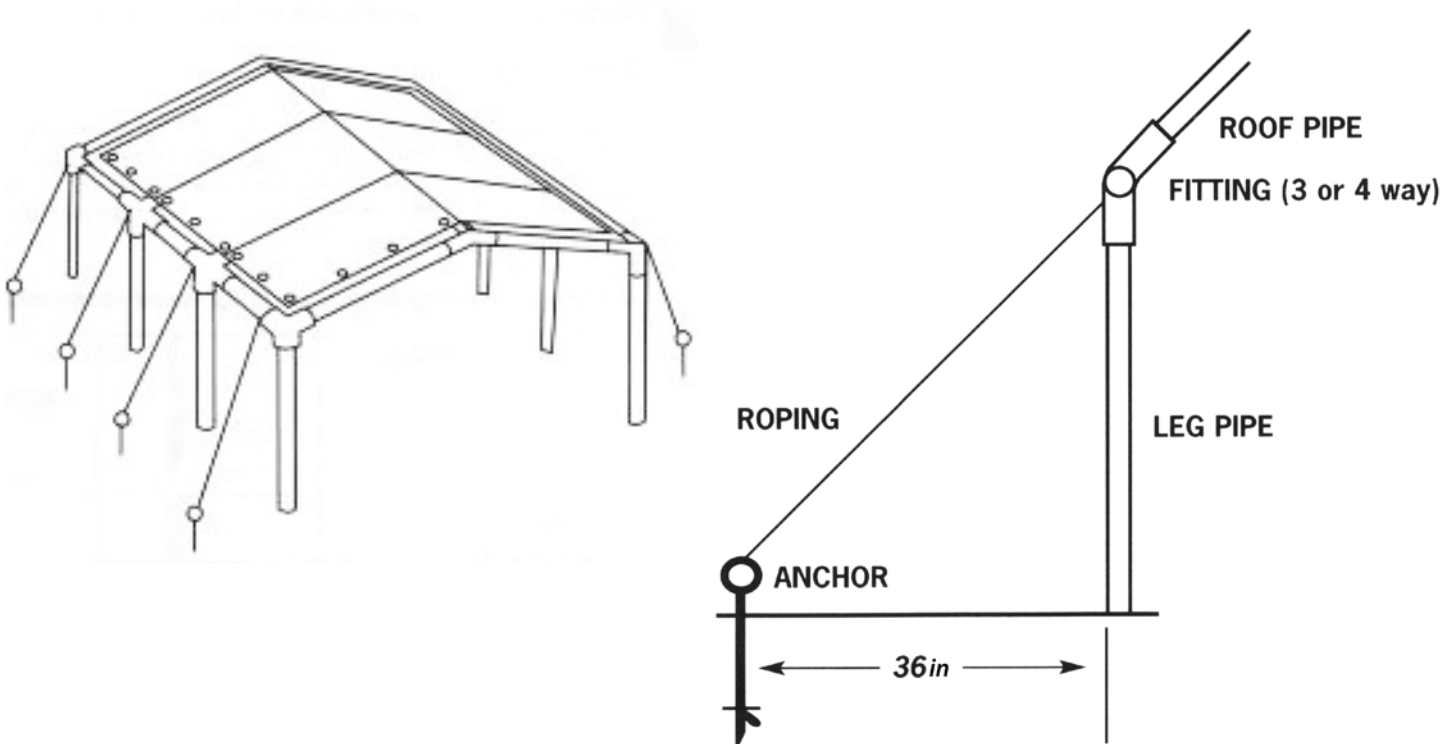
Step 3

Securely tie the other end of the cable or rope through the eye of the anchor and pull tight.

Step 4

Now, continue to screw each anchor into the ground until the eye of the anchor is flush with the ground. This will secure the anchor rope even tighter.

NOTE: You should check and tighten the rope frequently to ensure maximum stability of your canopy and to protect against wind damage.





IMPORTANT NOTICE: PLEASE READ CAREFULLY

We are confident that you will be completely satisfied with your King Canopy unit. Please take a moment to read the very important information below, and call us with any questions you may have.

King Canopy/PIC America, LTD. has no control over wind, snow, ice, rain or any other weather condition and we are in no way responsible for any damage caused by the canopy or to the canopy. We suggest you contact your insurance carrier just as you would for any other outside structure.

OTHER PRECAUTIONS WHICH MUST BE FOLLOWED:

Keep all flame and heat sources away from this tent fabric. The tent fabric will burn if left in continuous contact with any flame source.

DO NOT cook underneath or near canopy.

DO NOT store or use flammable liquids underneath or near canopy.

DO NOT ignite or store fireworks underneath or near canopy.

DO NOT use bleach to clean cover.

DO NOT dry clean cover.

DO NOT wash cover in washing machine or dry in dryer. Hand wash with mild soap and water only.

DO NOT allow rain water, snow or ice to accumulate on top of cover.

DO NOT hang or suspend anything from the frame, grommets, truss system or ball straps of the unit.

REMOVE canopy cover before a storm, or disassemble entire canopy unit if possible.

REMOVE rain water, snow and ice from canopy cover.

This is a temporary structure and is not recommended for use as a permanent structure.

PRODUCT INFORMATION



Defective Parts

We try our best to eliminate any defective parts that are shipped with our products. If, however, you should find a defective part, we will replace – free of charge – any part which is defective. You will need to provide proof of purchase showing date of purchase and provide us with detailed description of the defective component. Your replacement will be shipped by ground shipping, freight prepaid. Next day or express shipping will require freight collect and paid for by you, the consumer. Damages from improper anchoring, strong winds, snow, ice or rain are not considered defects.

Improper Anchoring, Strong Winds, Rain Snow, or Ice

King Canopy/PIC America, LTD. does not guarantee these canopies under strong weather conditions. These canopies are designed to protect against damages caused by sun, rain, tree sap, birds, etc. They are not designed to hold roof loads that accompany snow, ice or heavy rains. If your canopy is not anchored securely, it can be lifted by the wind and will fly away. If your canopy takes flight, we are not responsible for any replacement. If you know strong weather is predicted, remove the cover or take down the canopy unit completely. The cover is designed to be quickly and easily removed.

Warranty

All components of this canopy feature a 1-year limited warranty and are warranted to be free from defects in material and workmanship for a period of 1-year. You must complete and return the enclosed warranty card promptly after purchase. Please retain your proof of purchase receipt; you will be asked to provide this receipt in order to obtain warranty service.

Non-Warranty Replacement Parts

If after expiration of the warranty period, you require replacement parts please contact us at 1-800-800-6296. We stock replacement parts and make them available to you at discounted prices. Our customer service department will be pleased to assist you in any way possible.

Certain regions of the country are extremely hard on covers of any kind. Normal wear and tear is not covered under the warranty, and should be expected.

In order to receive a discounted or free replacement part, you may be asked to return the part, freight prepaid, to our warehouse for inspection before we will send a replacement. You must, in all cases, provide a copy of your receipt showing the date of purchase, model number and price.

For missing parts, replacement parts or any questions:

Please Call 8:00am – 5:00pm EST, Monday –Friday
1-800-800-6296 or 1-919-552-2977

Or you can fax us at: **1-919-552-5069**

Replacement parts and customer service is also available through our website.
Please visit us at **www.kingcanopy.com**