

## ASSEMBLY INSTRUCTIONS

SATELLITE SPEAKER WALL MOUNT PAIR  
SATELLITE SPEAKER WALL MOUNT 5-PACK

### PAIR PARTS LIST

- A) Wall Mount Assembly (2pcs.)
- B) Speaker Mount (2pcs.)
- C) Wall Anchor (8pcs.)
- D) Wall Anchor Screw (8pcs.)
- E1) 6/32" short speaker screws (4pcs.)
- E2) 6/32" long speaker screws (4pcs.)
- E3) 1/4" short speaker screws (4pcs.)
- E4) 1/4" long speaker screws (4pcs.)
- F) Hex Nut (4pcs.)

### 5-PACK PARTS LIST

- A) Wall Mount Assembly (5pcs.)
- B) Speaker Mount (5pcs.)
- C) Wall Anchor (20pcs.)
- D) Wall Anchor Screw (20pcs.)
- E1) 6/32" short speaker screws (10pcs.)
- E2) 6/32" long speaker screws (10pcs.)
- E3) 1/4" short speaker screws (10pcs.)
- E4) 1/4" long speaker screws (10pcs.)
- F) Hex Nut (10pcs.)

### REQUIRED TOOLS (NOT INCLUDED)

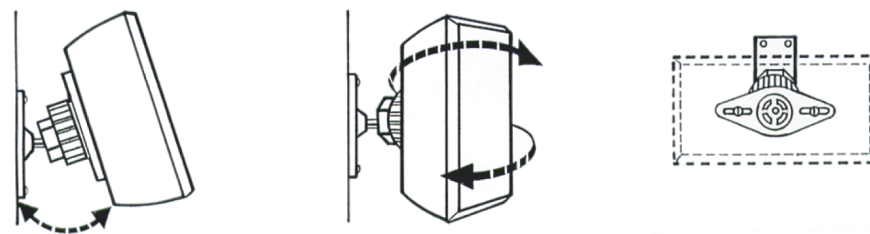
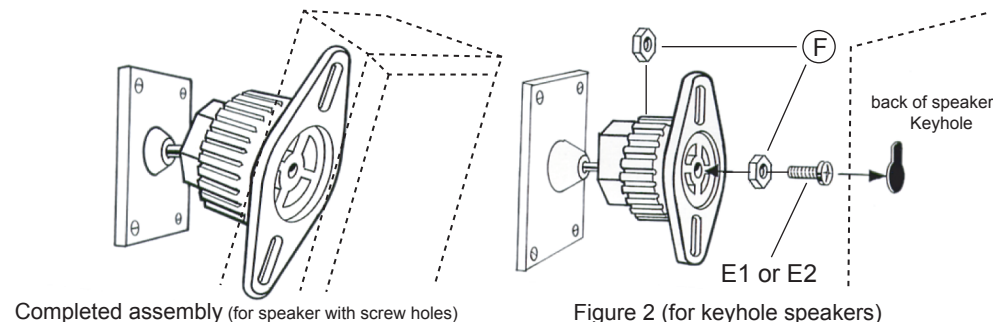
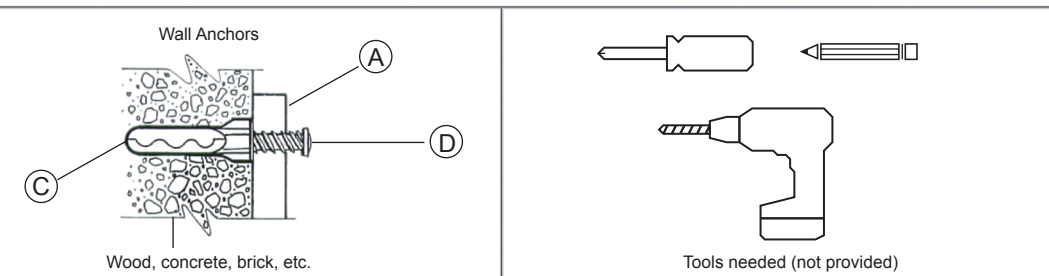
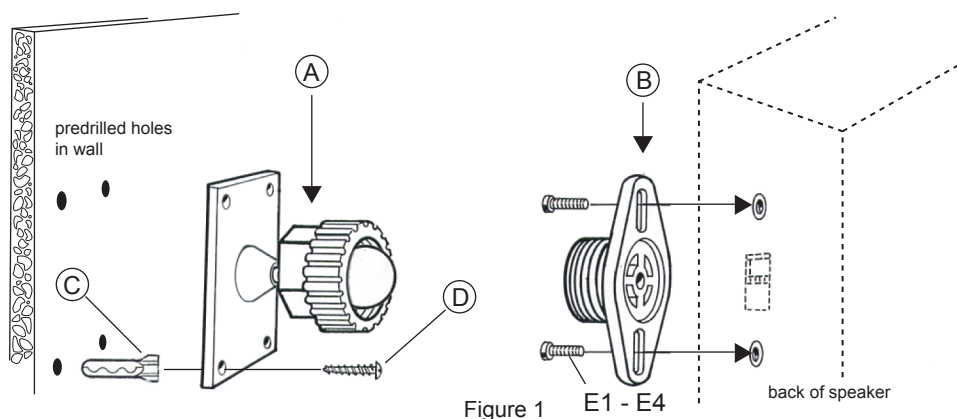
- Phillips Tip Screwdriver
- Drill
- Pencil

1. Unscrew Wall Mount Assembly (A) from Speaker Mount (B).
2. Place Wall Mount Assembly (A) on desired location on wall and mark with the four holes with a pencil.
3. Drill holes into marks.
4. Insert Wall Anchors (C) into holes. Wall Anchors (C) should fit tightly into predrilled holes.
5. Align Wall Mount Assembly (A) to holes and secure with the Wall Anchor Screws (D) into plastic Wall Anchors (C). (screw driver not included)
6. Attach the back of speaker to Speaker Mount (B) with appropriate speaker screw (E1-E4) (Fig.1). See below for instruction for keyhole speakers.
7. Screw speaker with Speaker Mount (B) to Wall Mount Assembly (A). Position at desired angle as speaker tightens to Wall Mount Assembly (A). Fig.3

#### Keyhole Speaker Instructions:

- Unscrew the Speaker Mount (B) from the Wall Mount Assembly (A).
- Place a Hex Nut (F) inside the Speaker Mount (B) Fig.2 Screw appropriate speaker screw (E1 or E2) with additional Hex Nut (F). Leave at least 0.25" thread unscrewed.
- Screw Speaker Mount (B) to Wall Mount Assembly (A).
- Position at desired angle. Fig.3.
- Hang Speaker into 0.25" of speaker screw.

## ASSEMBLY DIAGRAMS



Adjustable position  
Figure 3

**ATLANTIC**

© 2004 Atlantic Inc.  
Santa Fe Springs, CA USA  
U.S. AND OTHER FOREIGN PATENTS PENDING  
ALL RIGHTS RESERVED  
web site: <http://www.atlantic-inc.com>

MADE IN CHINA  
Mar 2004

\* Phillips screwdriver and pencil needed. (not provided)

English  
R 1.0 041011