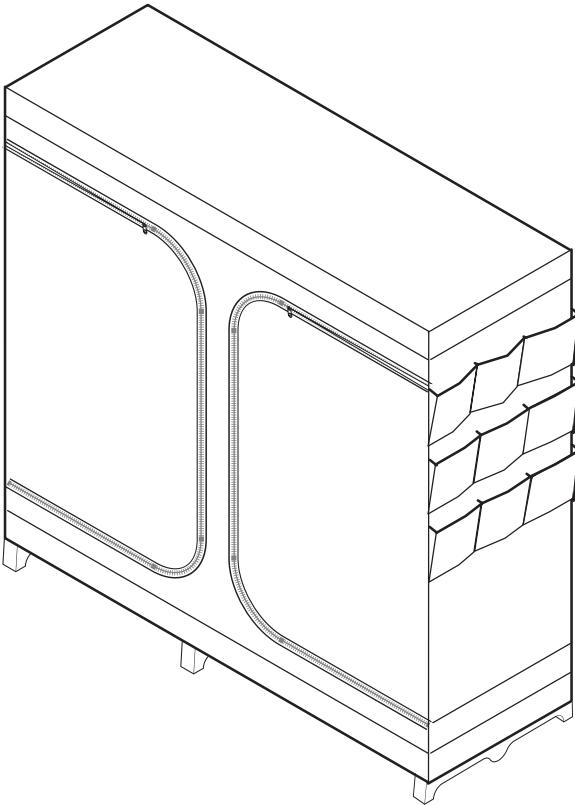




WRD-01272
WRD-01518

60" wide double door storage closet

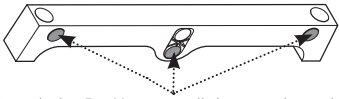
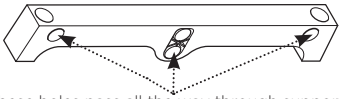
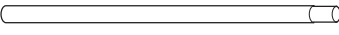
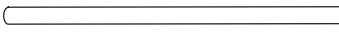
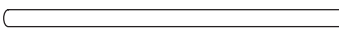
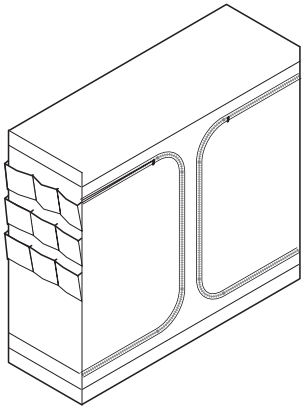

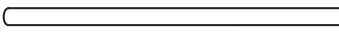


64 in H x 60 in W x 19.7 in D (163 cm H x 152.4 cm W x 50 cm D)



IMPORTANT! Please read prior to use. This Honey-Can-Do 60 inch Wide Double Door Storage Closet is designed for indoor use. Please do not over-load. To prevent tipping, we recommend that you evenly distribute the weight throughout the unit. Please keep top hanger bar horizontal when in use. Please do not use storage closet for anything other than its intended use. Please do not allow children, husbands or pets to hang from or hide in storage closet. Please keep away from heat sources such as heaters and fireplaces.

PARTS LIST

PART/ILLUSTRATION	(QTY)	DESCRIPTION
A  (these holes Do Not pass all the way through support)	(6)	side supports
B  (these holes pass all the way through support)	(3)	middle supports
C 	(5)	tapered supports bars
D 	(12)	uprights
E 	(5)	support bars
F 	(1)	cover
G 	(1)	tapered hang bar (1/8" thicker than support bar)
H 	(1)	hang bar (1/8" thicker than support bar)

Thank you for purchasing a Honey-Can-Do Storage Closet!

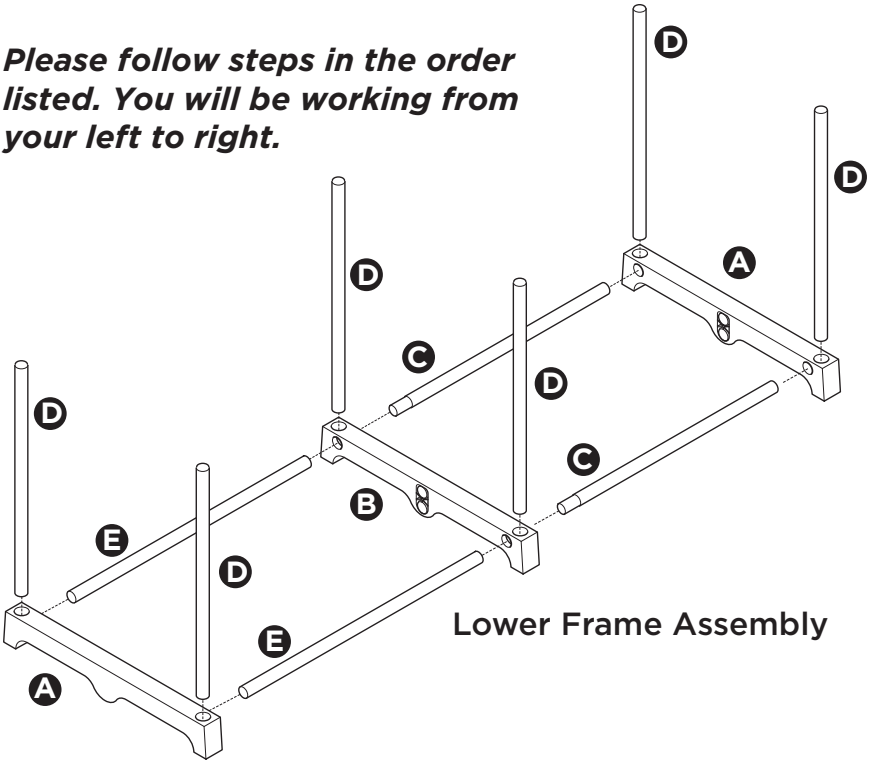
Please follow these step by step instructions carefully. Plan to spend about 35 minutes assembling your new closet. For assistance, please contact us at info@honeycando.com or 877.2.i.Can.Do. **Your closet will hold up to 50lbs when hangers are evenly distributed across the unit.**

ASSEMBLY

LOWER FRAME ASSEMBLY

Note: all of the poles will need to be firmly seated into the plastic support pieces. DO NOT ROCK or TIP poles back and forth. Only push with firm even pressure straight into plastic support pieces.

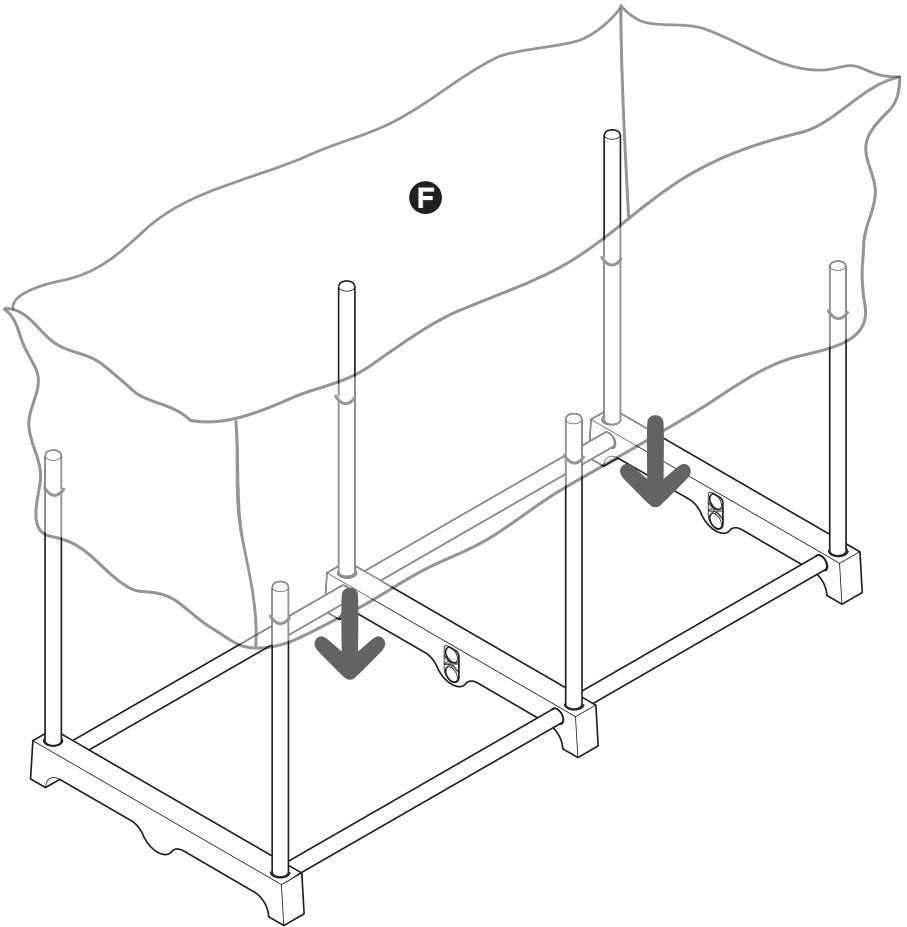
Please follow steps in the order listed. You will be working from your left to right.



1. Insert the end of 2 support bars (E) into left side support (A).
2. Take one middle support (B) and slide it on to the other end of side supports (E) from step one.
3. Insert the narrow end of 2 tapered support bars (C) into the exposed ends of support bars (E) from step 1.
4. Place another side support (A) onto exposed ends of tapered support bars (C) from step 3.
5. Insert 6 uprights (D) into the tops of the side and middle supports (A & B).

ASSEMBLY

PLACE COVER ON LOWER FRAME

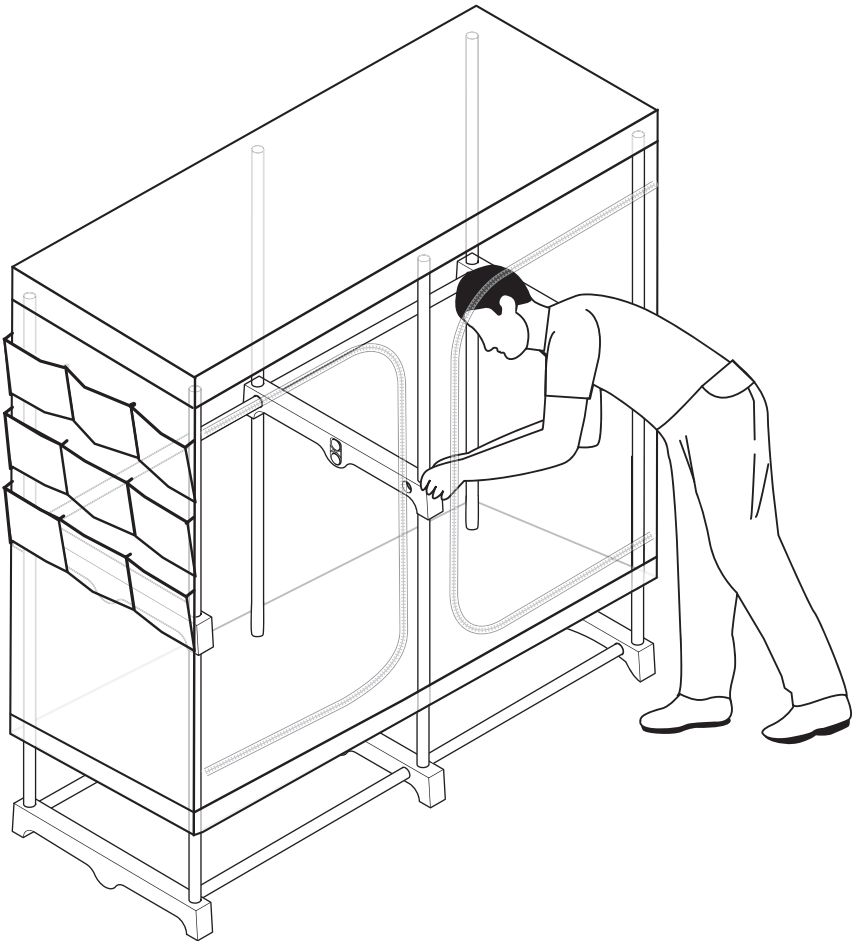


Please note: that this lower frame will be on the outside of the cover while the rest of the unit will be inside the cover.

1. Unzip the cover (F) all the way and carefully feed the lower frame uprights (D) through the holes (they are small slits) in the bottom of the cover. You must continue working inside the cover while you finish constructing the rest of the closet.

ASSEMBLY

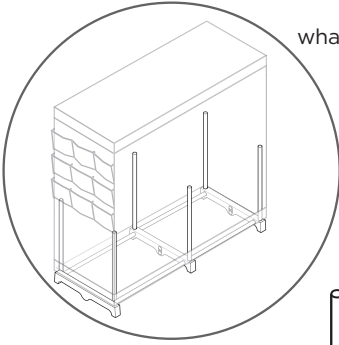
WORKING INSIDE



Working inside the cover continue by building the middle frame on top of the lower frame. Let the cover rise above the base unit 10-15 inches so that you have room to maneuver when working inside the cover.

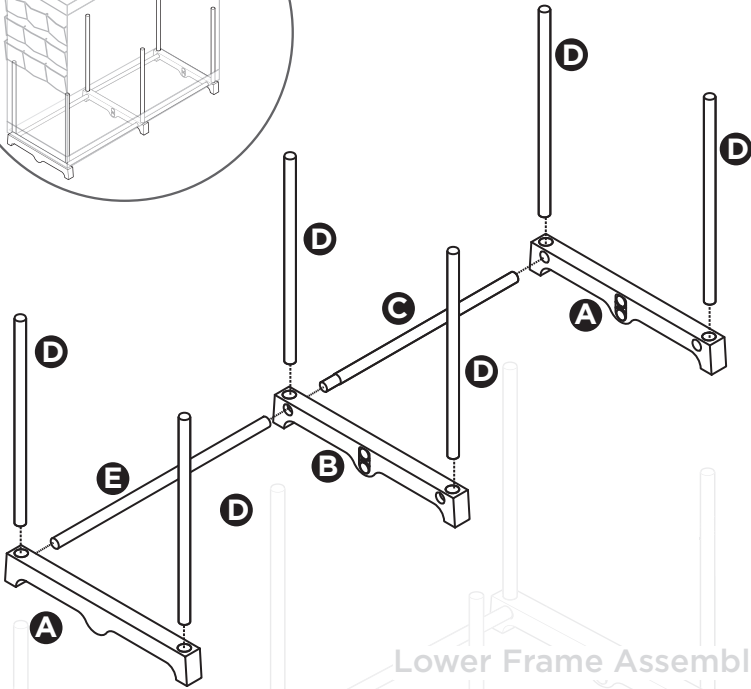
ASSEMBLY

MIDDLE FRAME ASSEMBLY



what you should have so far...

Middle Frame Assembly

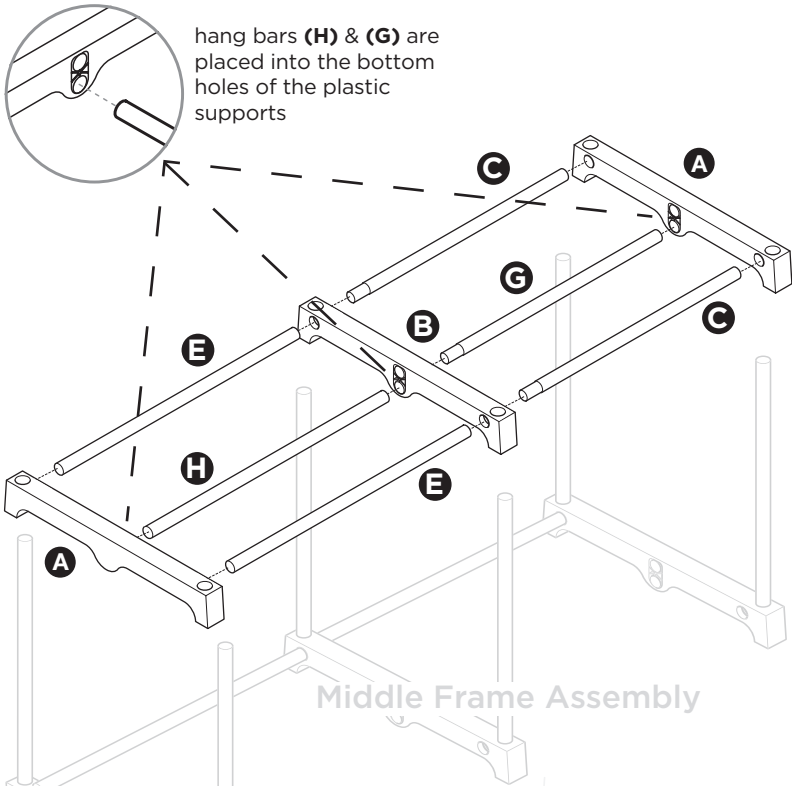


Working inside the cover

1. Install two side supports (A) and one middle support (B) on top of the uprights (D) from the lower assembly.
2. Insert the end of 1 support bar (E) on the back of left side support (A).
3. Slide middle support (B) on to the other end of side support (E) from step two.
4. Insert the narrow end of 1 tapered support bar (C) into the exposed end of support bar (E) from step 1.
5. Take exposed end of tapered support bar (C) from step 4 and slide it into back of remaining support (A).
6. Insert remaining 6 uprights (D) into the tops of the side and middle supports (A & B).

ASSEMBLY

TOP FRAME ASSEMBLY

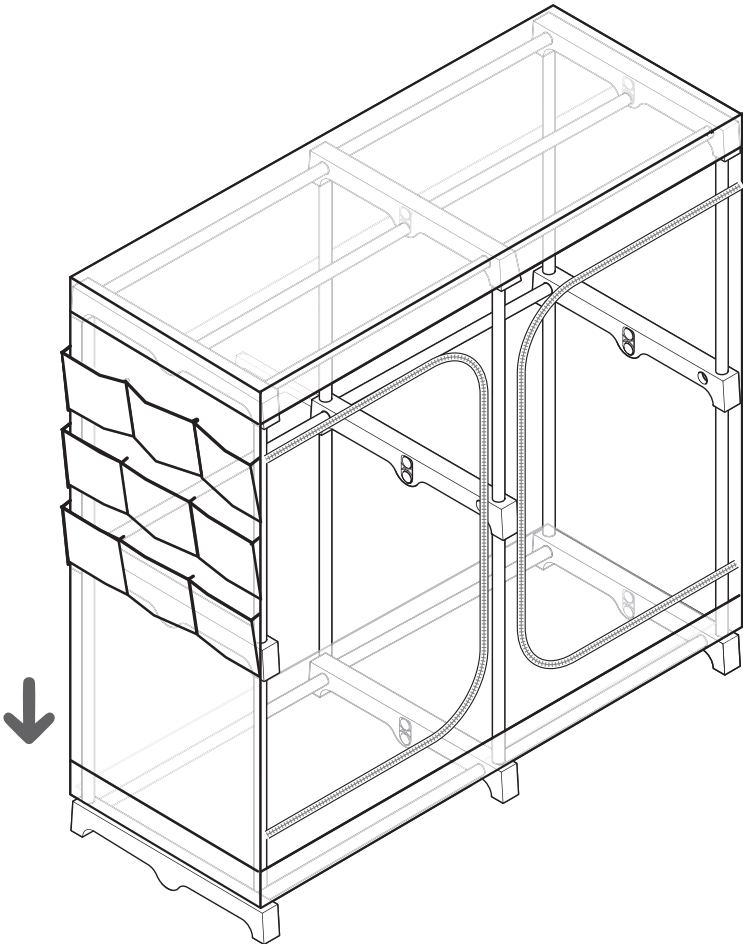


Working inside the cover

1. Install two side supports (A) and one middle support (B) on top of the uprights (D) from the middle frame assembly.
2. Insert the end of 2 support bars (E) into left side support (A).
3. Insert hanger bar (H) in the **BOTTOM** center hole of left side support (A) *see inset above*.
4. Slide middle support bar (B) on to the exposed ends of support bars (E) from step 2 and hang bar (H) from step 3.
5. Insert the narrow end of 2 tapered support bars (C) into the exposed ends of support bars (E) from step 2.
6. Insert narrow end of tapered hang bar (G) into exposed end of hang bar (H).
7. Insert exposed ends of tapered support bars (C) from step 3 and hang bar (G) from step 6 into right side support (A).

ASSEMBLY

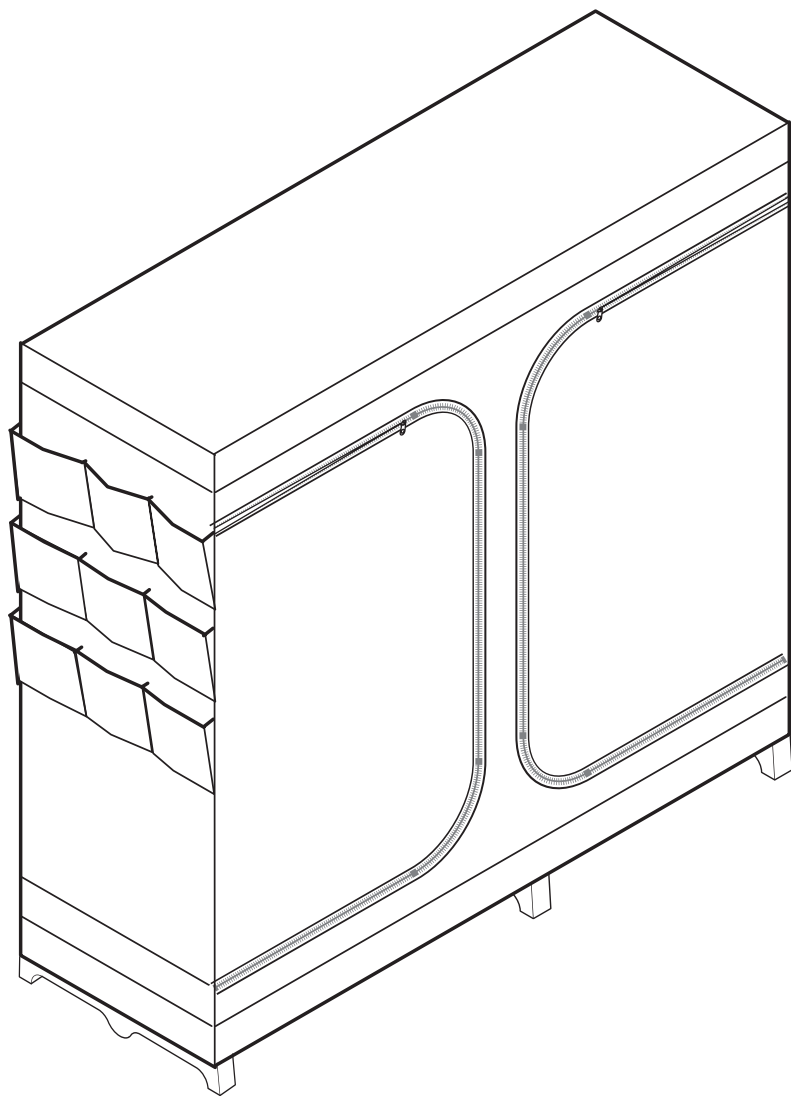
FINAL STEP!



1. Gently pull cover down so that the bottom meets the base. Align the cover corners with the frame corners.

ASSEMBLY

FINISHED PRODUCT



LIMITED LIFETIME WARRANTY

Honey-Can-Do International, LLC (HCD) warrants its products will be free from defects in materials and workmanship when used for normal personal or household use, except as provided below. HCD, at its option, may offer a comparable product or offer a replacement part or request that the item be returned to the place of purchase. This warranty DOES NOT apply to damage caused by negligence, misuse, excessive use, improper cleaning, improper assembly, or any circumstances not directly attributable to manufacturing defects. Proof of purchase is required in the form of a receipt (copy or original) to validate warranty. HCD provides this limited lifetime warranty in lieu of all other warranties either express or implied. In no event shall HCD, its affiliates, or subsidiaries be responsible for consequential or incidental damages arising out of a claim of defective product. Some states or provinces do not allow some exclusions or limitations, so the above statement may not apply to you. This warranty gives you specific legal rights, and you may also have other rights, which vary by state or province.

WARNING: Keep bags and plastic sheeting away from babies and children. Do not use in cribs, beds, carriages, or playpens. The plastic may cling to nose and mouth and prevent breathing.



YOUR SOURCE FOR
ORGANIZATION,
STORAGE & STYLE

Honey-Can-Do International

5750 McDermott Drive, Berkeley, IL 60163 USA

877.242.2636 | www.honeycando.com

©2011 Honey-Can-Do International, LLC | All Rights Reserved

120607
