



T&S BRASS AND BRONZE WORKS, INC.

2 Saddleback Cove / P.O. Box 1088
Travelers Rest, SC 29690



REG. #A2601
ISO #9001

Model No.

BL-9515-01

Item No.

Travelers Rest, SC: 800-476-4103 Simi Valley, CA: 800-423-0150 Fax: 864-834-3518 www.tsbrass.com

This Space for Architect/Engineer Approval

Job Name _____ Date _____

Model Specified _____ Quantity _____

Customer/Wholesaler _____

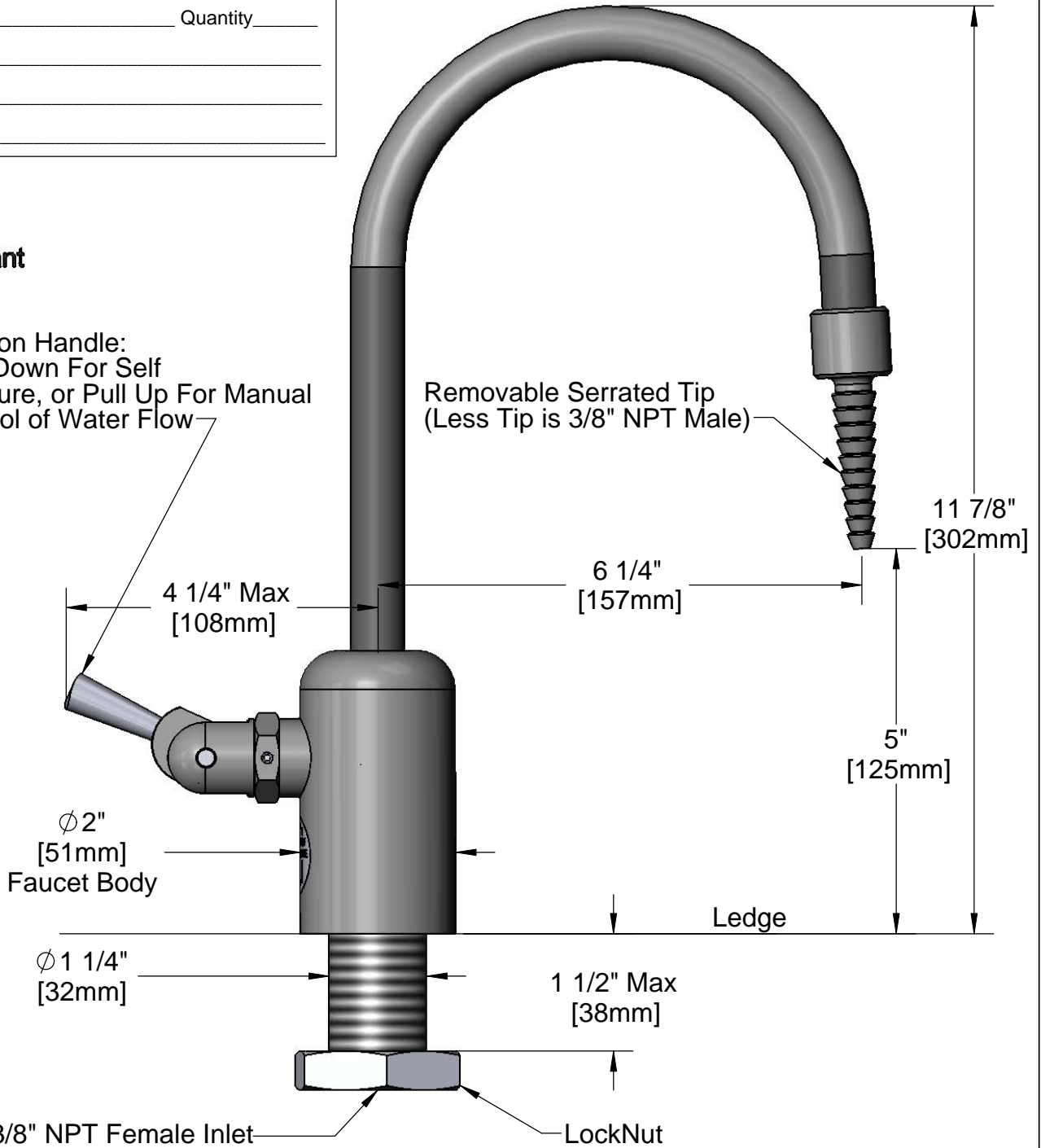
Contractor _____

Architect/Engineer _____



ADA Compliant

Dual Operation Handle:
Pull Handle Down For Self
Closing Feature, or Pull Up For Manual
On-Off Control of Water Flow



Product Specifications:

Gray PVC Single Ledge Faucet w/ Rigid Gooseneck,
Serrated Tip Outlet, & 3/8" NPT Female Inlet for
Distilled or Deionized Water Applications
w/ Both Manual & Self-Closing Operations

Drawn JRM	Checked DMH	Approved JHB
Scale: 1:2		Date: 07/08/09



T&S BRASS AND BRONZE WORKS, INC.

2 Saddleback Cove / P.O. Box 1088
Travelers Rest, SC 29690



REG. #A2601
ISO #9001

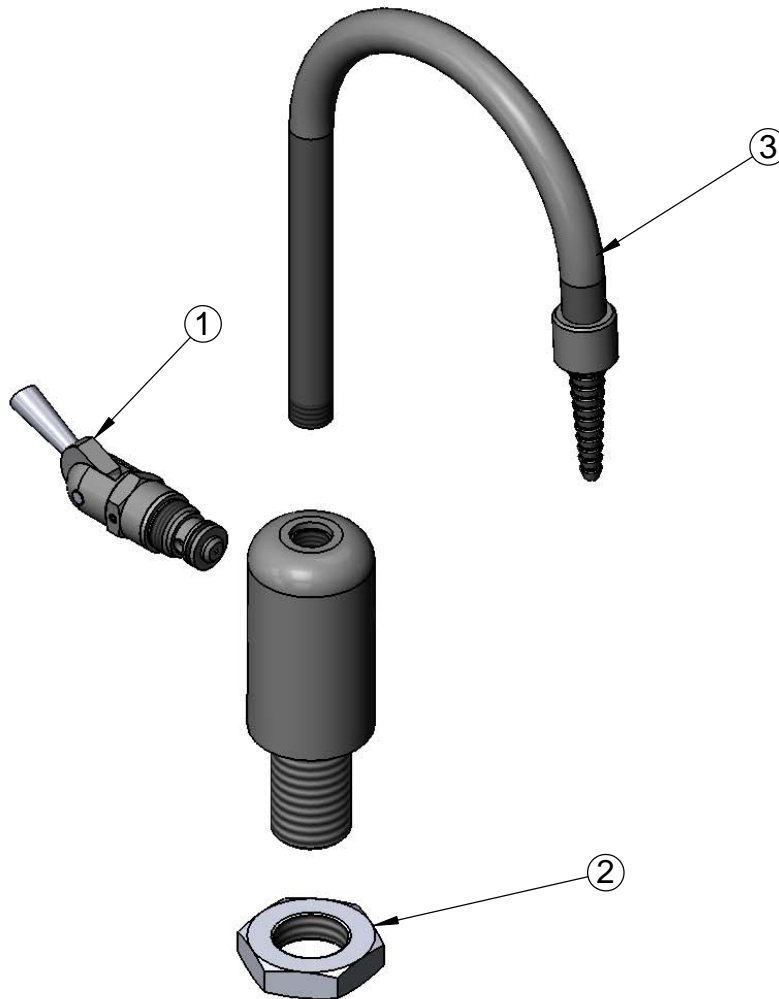
Model No.

BL-9515-01

Item No.

Travelers Rest, SC: 800-476-4103 Simi Valley, CA: 800-423-0150 Fax: 864-834-3518 www.tsbrass.com

ITEM NO.	SALES NO.	DESCRIPTION
1	137A	Bonnet Assembly, SC/MAN, PVC
2	000512-20	Nut, PVC Lock
3	BL-9541-02	PVC Gooseneck & Serrated Tip Asm



Product Specifications:

Gray PVC Single Ledge Faucet w/ Rigid Gooseneck, Serrated Tip Outlet, & 3/8" NPT Female Inlet for Distilled or Deionized Water Applications w/ Both Manual & Self-Closing Operations

Drawn JRM	Checked DMH	Approved JHB
Scale: NTS		Date: 07/08/09