



Limited One Year Warranty
T&S warrants to the original purchaser (other than for purposes of resale) that such product is free from defects in material and workmanship for a period of one (1) year from the date of purchase. During this one-year warranty period, if the product is found to be defective, T&S shall, at its options, repair and/or replace it. To obtain warranty service, products must be returned to...

T&S Brass and Bronze Works, Inc.
Attn: Warranty Repair Department
2 Saddleback Cove
Travelers Rest, SC 29690

Shipping, freight, insurance, and other transportation charges of the product to T&S and the return of repaired or replaced product to the purchaser are the responsibility of the purchaser. Repair and/or replacement shall be made within a reasonable time after receipt by T&S of the returned product. This warranty does not cover items which have received secondary finishing or have been altered or modified after purchase, or for defects caused by physical abuse to or misuse of the product, or shipment of the products.

Any express warranty not provided herein, and any remedy for Breach of Contract which might arise, is hereby excluded and disclaimed. Any implied warranties of merchantability or fitness for a particular purpose are limited to one year in duration. Under no circumstances shall T&S be liable for loss of use or any special consequential costs, expenses or damages.

Some states do not allow limitations on how long and implied warranty lasts or the exclusion or limitation of incidental or consequential damages, so the above limitations or exclusions may not apply to you. Specific rights under this warranty and other rights vary from state to state.

P/N: 098-013216-45 Rev.0
Date: 04-16-01
Drawn: TEH
Checked: DLT 04-20-01
Approved: MVW 06-27-01

Installation and Maintenance Instructions



ATMOSPHERIC VACUUM BREAKERS B-0969 (1/2")

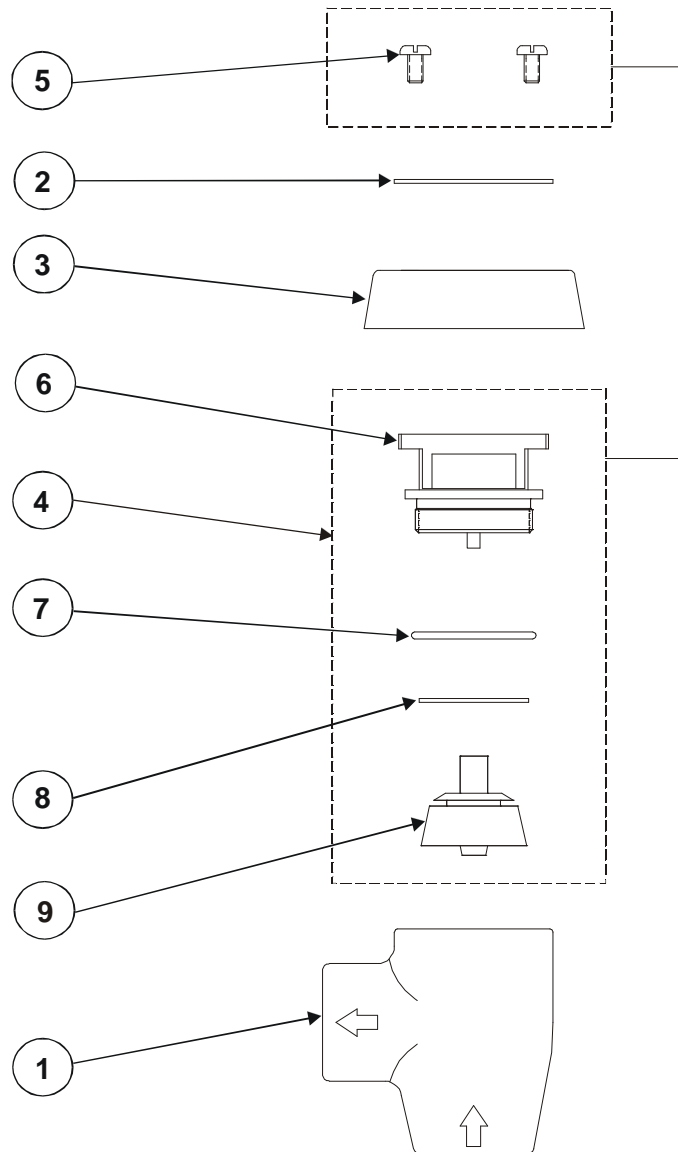
(Also use for replacement parts,
B-0969-RK01, 1/2")

**Deutsch: Installations- und
Wartungsanleitungen**

**Español: la Instalación y las
Instrucciones de
Mantenimiento**

**Français: les Instructions
d'Installation et
d'Entretien**

Exploded View



* Some items are listed for instructional purposes and may not be sold as separate parts.

Part Number Guide

Vacuum Breaker Assemblies & Kit

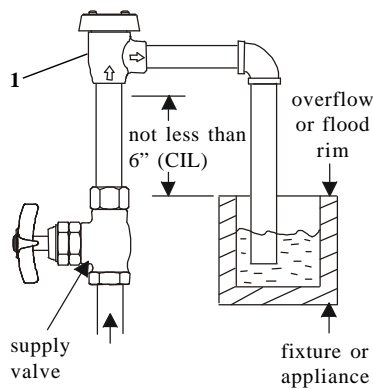
1	Body, Vacuum Breaker, 1/2"	*
2	Namplate	*
3	Coverplate	*
4	Repair Kit, Vacuum Breaker, 1/2"	B-0969-RK01
5	Screws	*
6	Insert	*
7	Sealing Disk	*
8	O-Ring, Plunger	*
9	Piston	*

General Instructions

Typical Installation:

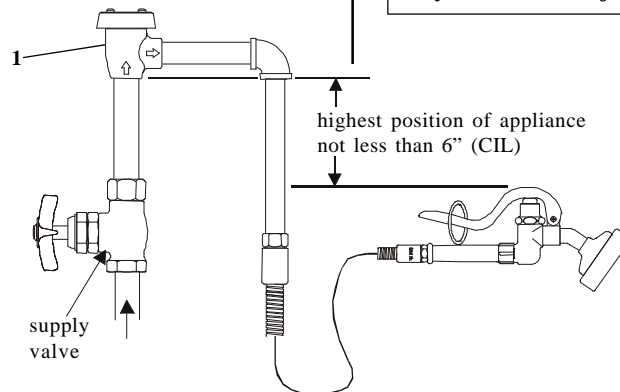
Single Vacuum Breaker

1. Vacuum breaker must be installed with the supply connected to the bottom and the outlet connected to the appliance, as shown below:



2. The bottom of the no.1 should be at least 6" above the flood rim of the fixture or appliance.

3. When using a portable appliance, no.1 should be installed at least 6" above the highest point to which the outlet can be raised, as shown:



Note: Where the device is a separate unit, in the absence of a Critical Installation Level (CIL) mark, the extreme bottom of the no.1 casting should be used to determine its installed position. Where the device is incorporated in an outlet tube furnished by the manufacturer, the extreme bottom of the internal unit should be noted on the outside of the tube by a CIL line, for use in determining its installed position.

4. The water supply valve must be installed on the supply side (ahead) of the vacuum breaker, and no shut-off valve should be installed on the outlet side (downstream).

5. The vacuum breaker should not be subjected to continuous pressure for more than twelve (12) hours.

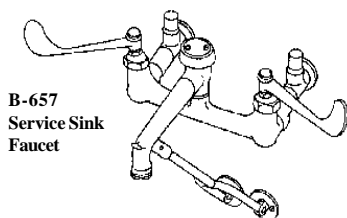
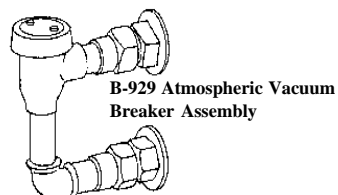
Note: This device should not be installed in a concealed or inaccessible location, nor where the venting water from the device during its normal functioning may be deemed objectionable.

General Instructions

Typical Installation:

Follow the instructions in the Single Vacuum Breaker section, Step 1 thru step 5.

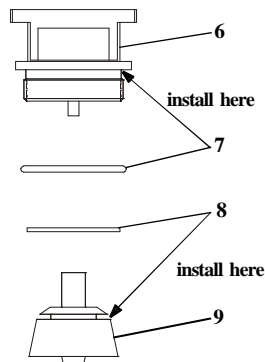
Two typical T&S unit installations will look as follows:



Repair Kit:

1. For replacement parts, reorder complete unit, or replace internal parts with a repair kit: B-969-RK01 1/2" Vacuum Breaker.
2. (See exploded view on sheet 2.) Remove the two no.5 from top of no.3, and lift off no.2 and no.3.
3. Unscrew and remove no.6, no.7, no.8 and no.9 from inside no.1.
4. Replace parts with new parts from kit.

B-0969-RK01 (Kit) 1/2" Vac. Breaker



5. Reassemble in reverse order.

Note: Make sure surface inside the body is clean, and then tighten no.6 until it is firmly seated against the inside shoulder of no.1.

RELATED T&S BRASS PRODUCT LINE



B-0965
Atmospheric Vacuum
Breaker Assembly
with Exposed Outlet



B-0929
Atmospheric Back
Flow Preventer



B-0456
Atmospheric
Vacuum Breaker
Assembly

T&S BRASS AND BRONZE WORKS, INC.

A firm commitment to application-engineered plumbing products

2 Saddleback Cove, P.O. Box 1088,
Travelers Rest, SC 29690

Phone: (864) 834-4102

Fax: (864) 834-3518

E-mail: tsbrass@tsbrass.com

T & S Brass-Europe

'De Veenhoeve'

Oude Nieuwveenseweg 84

2441 CW Nieuwveen

The Netherlands

