



T&S BRASS AND BRONZE WORKS, INC.

2 Saddleback Cove / P.O. Box 1088
Travelers Rest, SC 29690



REG. #A2601
ISO #9001

Model No.

B-0708

Item No.

Travelers Rest, SC: 800-476-4103 Simi Valley, CA: 800-423-0150 Fax: 864-834-3518 www.tsbrass.com

This Space for Architect/Engineer Approval

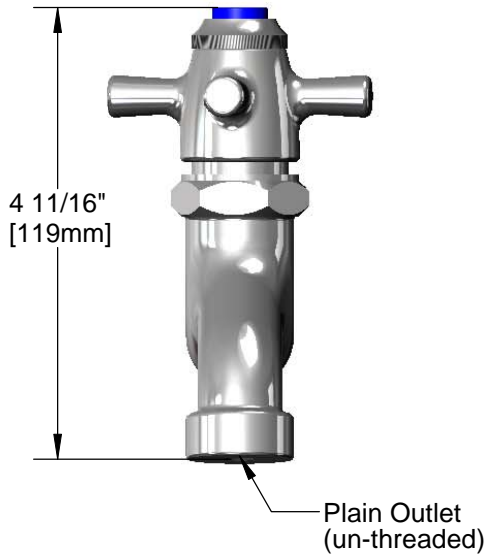
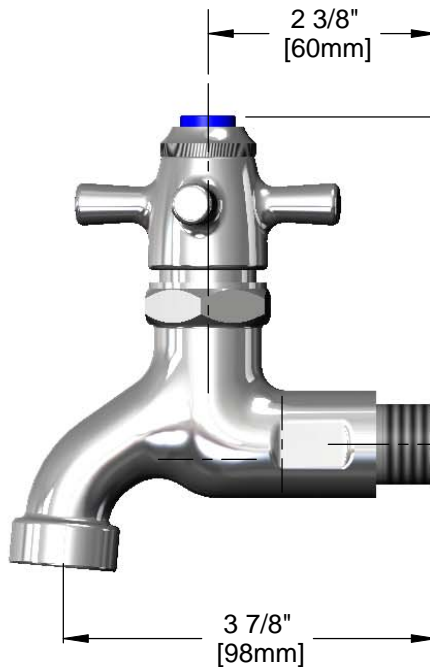
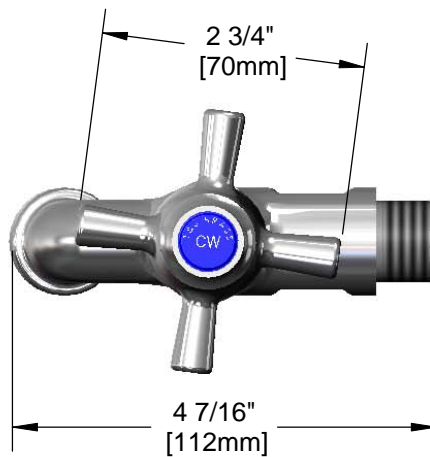
Job Name _____ Date _____

Model Specified _____ Quantity _____

Customer/Wholesaler _____

Contractor _____

Architect/Engineer _____



Product Specifications:

Self-Closing Hose Bibb Faucet w/ 4-Arm Handle, 1/2" NPT Male Inlet, Plain Outlet and Blue "CW" Index

Drawn DHL	Checked KJG	Approved JHB
Scale: 1:2		Date: 07/14/10



T&S BRASS AND BRONZE WORKS, INC.

2 Saddleback Cove / P.O. Box 1088
Travelers Rest, SC 29690



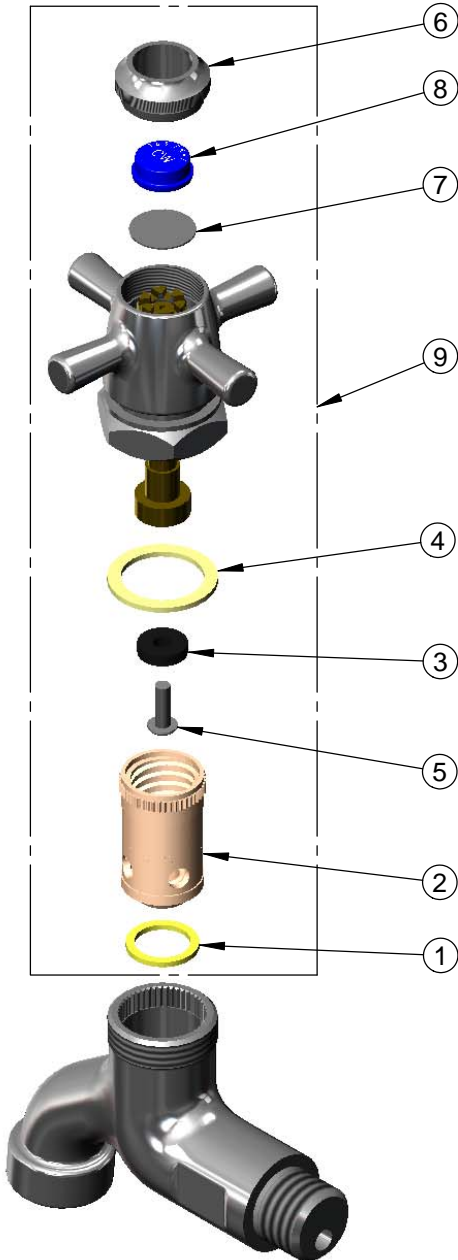
REG. #A2601
ISO #9001

Model No.

B-0708

Item No.

Travelers Rest, SC: 800-476-4103 Simi Valley, CA: 800-423-0150 Fax: 864-834-3518 www.tsbrass.com



ITEM NO.	SALES NO.	DESCRIPTION
1	001022-45	Washer
2	000789-20	Removable Insert, LH Thread
3	001092-45	Seat Washer
4	002601-45	Washer
5	000933-45	B-1100 Seat Washer Screw
6	000674-40	Slow Close Index Ring
7	001013-45	Slow Close Handle Disc
8	001686-45	Blue CW Index
9	007900-40	Slow-Closing Cold Cartridge Assembly

Product Specifications:

Self-Closing Hose Bibb Faucet w/ 4-Arm Handle, 1/2" NPT Male Inlet, Plain Outlet and Blue "CW" Index

Drawn DHL	Checked KJG	Approved JHB
Scale: 1:2		Date: 07/14/10