

TECHNICAL DATA SHEET - Vector Pro™ Cord Management Adapter



MODELS: ACC 800

Features:

- Easy internal cord management for projector mount installations
- Security screws lock ACC 800 to Vector Pro™ Projector Mount and extension column

Dimensions for ACC 800:

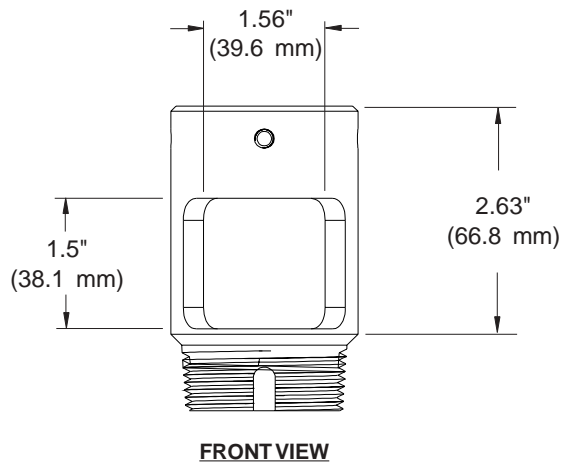
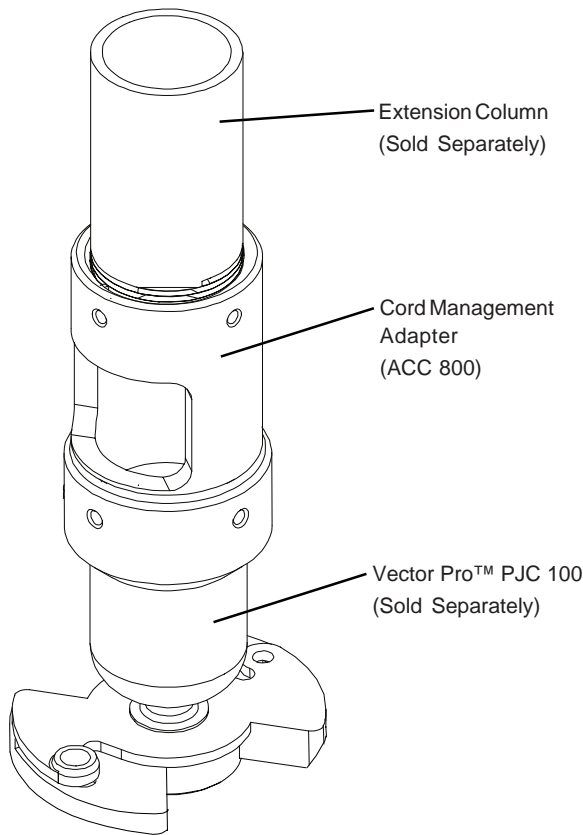
Weight: .33 lb (.15 kg)

Shipping weight: .5 lb (.23 kg)

Shipping Carton dimensions: L=7"(178 mm) W=3"(76 mm) H=3"(76 mm)

Max Load Capacity: 300 lb (136 kg)

For projector installations that require the use of an extension column, the ACC 800 allows for cords to be easily routed through standard 1 1/2" schedule 40 pipe.



ARCHITECTSSPECIFICATIONS:

The Cord Management Adapter shall be a Peerless model ACC 800. They shall be located where indicated on the plans. The Cord Management Adapter shall be constructed of aluminum. The finish for ACC 800 shall be Black Anodize. Assembly and installation shall be done according to instructions provided by the manufacturer.