

TECHNICAL DATA SHEET - Round Ceiling Plate



MODELS: ACC 570, ACC 570S, ACC 570W



Model **ACC 570** Round Ceiling Plate is compatible with all Peerless® projector mounts.

The Round Ceiling Plate is also compatible with many Peerless small to medium size TV mounts (see maximum load warning).

Features:

- Cord management access hole
- Black, silver, or white fused epoxy finish
- Cold rolled steel construction
- Security fastener

Dimensions:

Weight:

1.2 lb (0.5 kg)

Shipping weight:

1.7 lb (0.8 kg)

Maximum Load Capacity:

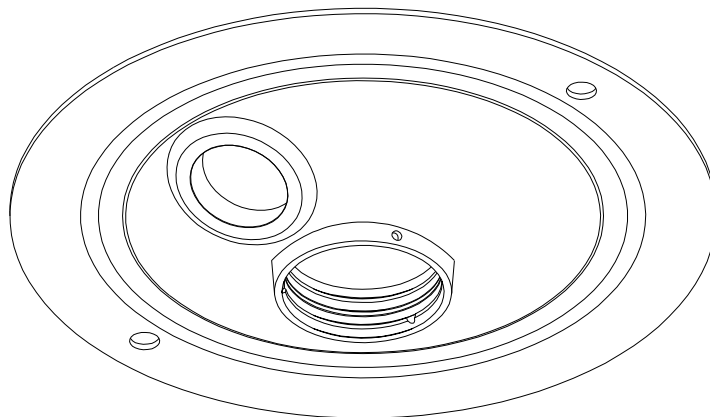
150 lb (68 kg)

Shipping Carton dimensions:

L = 12.75 in (324 mm)

W = 9.50 in (241 mm)

H = 2.50 in (64 mm)



⚠ WARNING

The combined weight of the equipment and hardware attached to this ceiling plate is not to exceed the maximum load capacity of 150 lb (68 kg).

ARCHITECTS SPECIFICATIONS

The Round Ceiling Plate shall be a Peerless model **ACC 570** and shall be located where indicated on the plans. It shall be constructed of heavy gauge cold rolled steel. The finish shall be scratch resistant black, silver, or white fused epoxy. Assembly and installation shall be done according to instructions provided by the manufacturer.

Peerless Industries, Inc.

3215 W. North Ave. Melrose Park, IL 60160
708-865-8870 800-865-2112 Fax 708-865-2941

www.peerlessindustries.com

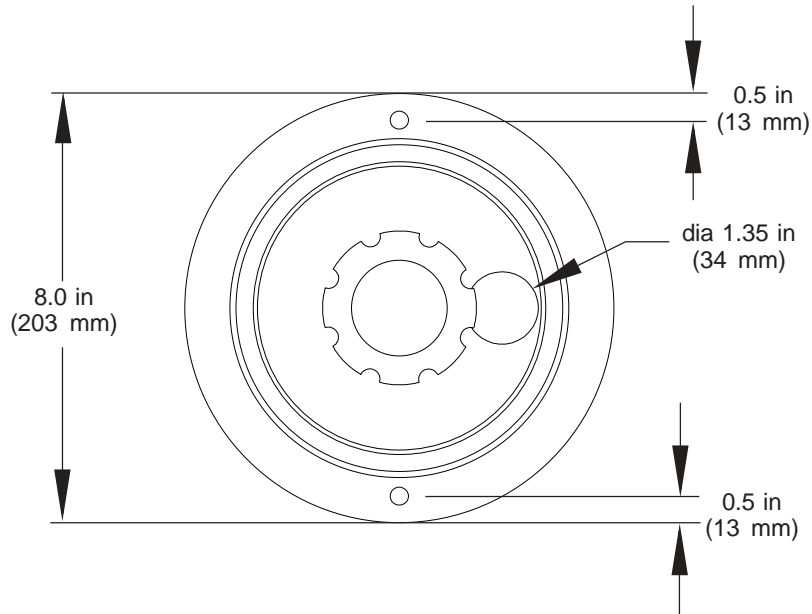
ISSUED: 07-15-99 SHEET NO: 054-9551-2 02-02-04

©2004 Peerless Industries, Inc. All rights reserved.
Peerless is a registered trademark of Peerless Industries, Inc.

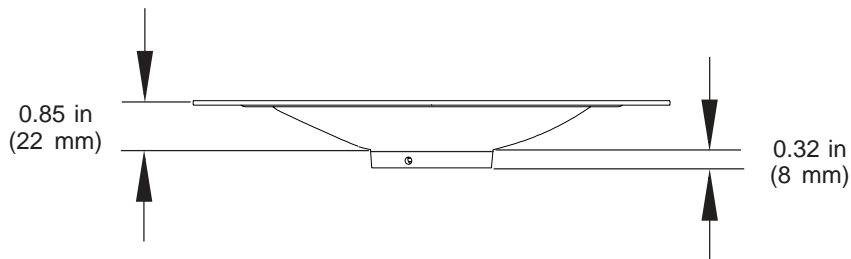
All other brand and product names are trademarks or registered trademarks of their respective owners.

TECHNICAL DATA SHEET

MODELS: ACC 570, ACC 570S, ACC 570W



TOP VIEW



FRONT VIEW