

TECHNICAL DATA SHEET -**SmartMount™****SmartMount™ Universal Tilt Wall Mount for 10" - 24" LCD Flat Panel Screens****peerless®****MODELS: ST630, ST630-S, ST630P, ST630P-S**

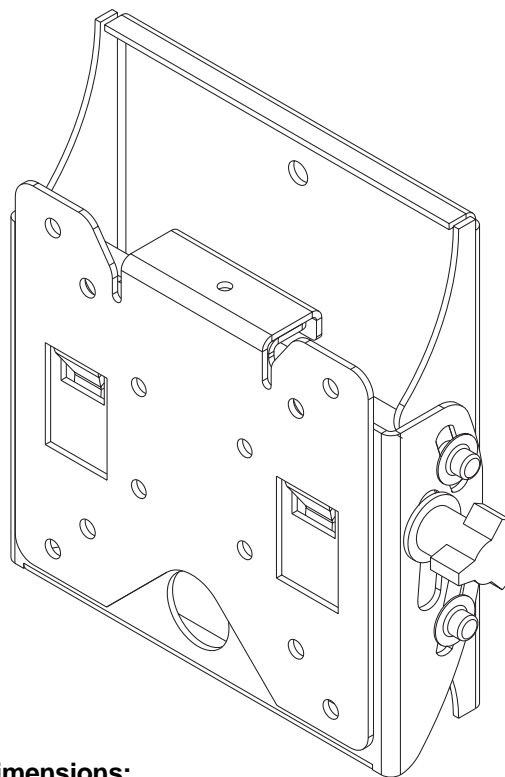
The Smartmount Universal Tilt Wall Mount supports virtually any 10" to 24" LCD flat panel. The ultra-slim wall plate keeps the screen close to the wall for a very discreet installation that is perfect for digital signage, POS stations, or office applications. Featuring one-touch tilt, the Smartmount allows the screen to be tilted +15/-5 degrees without the use of tools. For a quick and easy installation it may be mounted to a single wood stud or concrete. Mounts to metal stud using accessory metal stud fasteners. Compatible with VESA 75 mm, and 100 mm.

Features:

- Colors: silver or black
- Universal mount fits virtually any 10" to 24" LCD flat panel screen
- Screen adapter plate compatible with VESA 75 mm and 100 mm
- One-touch tilt allows tilt adjustment of +15/-5 degrees without the use of tools
- Desired tilt angle can be locked in place if needed
- Screen adapter plate simply hooks onto the wall plate for quick and easy installation
- Includes hardware for installation to wood studs, concrete, and cinder block

Accessories:

- Metal Stud Fastener Kit (ACC 215)
- Video Conferencing Shelf (ACC 309)
- Accessory Shelves (PM 600, PM 610)

**Dimensions:****Weight:**

2.1 lb (0.95 kg)

Shipping weight:

2.9 lb (1.3 kg)

Maximum Load Capacity:

80 lb (36.3 kg)

Shipping Carton dimensions:**L** = 12.75 in (324 mm)**W** = 9.50 in (241 mm)**H** = 2.50 in (64 mm)**ARCHITECTS SPECIFICATIONS**

The Smartmount shall be Peerless models **ST630, ST630-S, ST630P** or **ST630P-S** and shall be located where indicated on the plans. It shall feature adjustable 15° of forward tilt and 5° backward tilt. It shall feature a screen adapter plate compatible with VESA 75 mm and 100 mm. Assembly and installation shall be done according to instructions provided by the manufacturer.

Peerless Industries, Inc.

3215 W. North Ave. Melrose Park, IL 60160
708-865-8870 800-865-2112 Fax 708-865-2941

www.peerlessindustries.com**ISSUED: 04-27-05 SHEET NO: 201-9711-5 07-11-07**

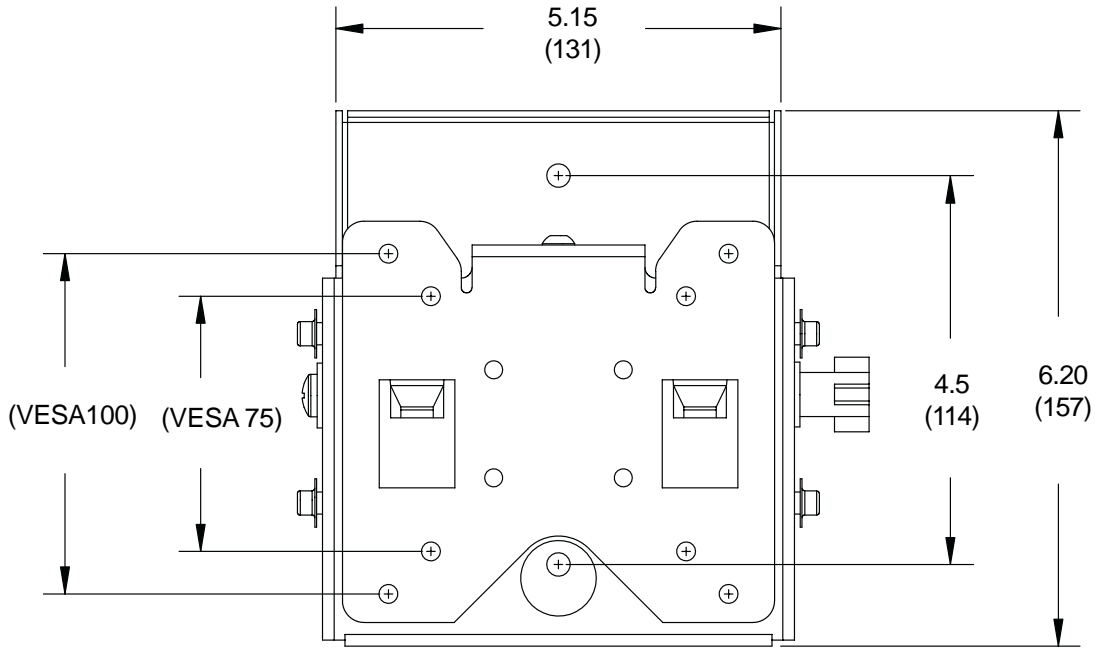
©2007 Peerless Industries, Inc. All rights reserved.

Peerless is a registered trademark and Smart Mount are trademarks of Peerless Industries, Inc. All other brand and product names are trademarks or registered trademarks of their respective owners.

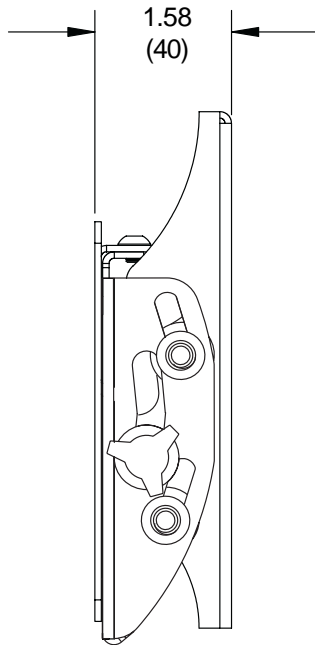
TECHNICAL DATA SHEET

MODELS: ST630, ST630-S, ST630P, ST630P-S

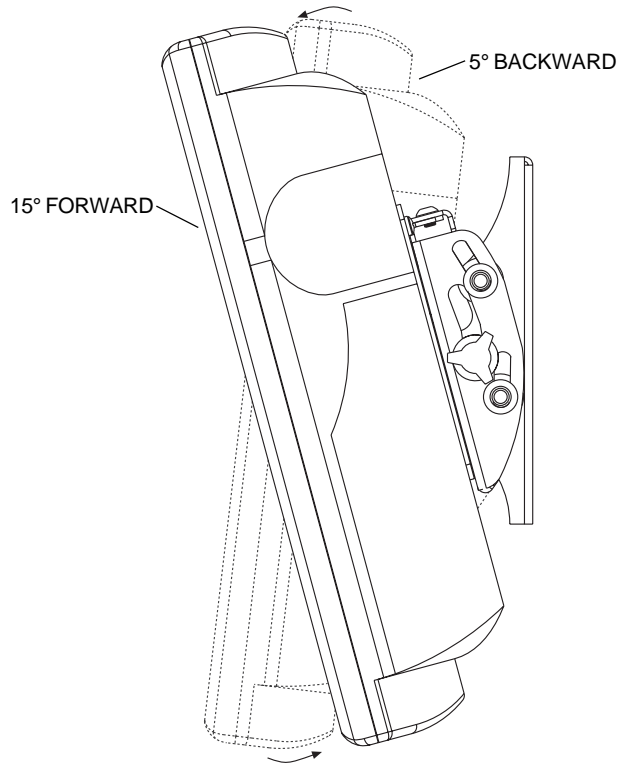
All dimensions = inch (mm)



Front View



Side View



Side View