

TECHNICAL DATA SHEET - Desktop Swivel Mount

peerless®

MODELS: HP432-002, HP432-002-S, HP432-002-GB

Features:

- Security screws
- 30 degrees of swivel to each side. (60 degrees total)
- Height adjustability from 21.76" to 15.7" when measuring from the desktop to the top mounting hole.
- Height adjusts at 1.5" increments
- VESA hole patterns including 200x200, 200x100, 100x200 and 100x100.
- Maximum load capacity: 80 lb (36.3 kg)

Dimensions:

Weight:

5.7 lb (2.6 kg)

Shipping weight:

6.7 lb (3 kg)

Maximum Load Capacity:

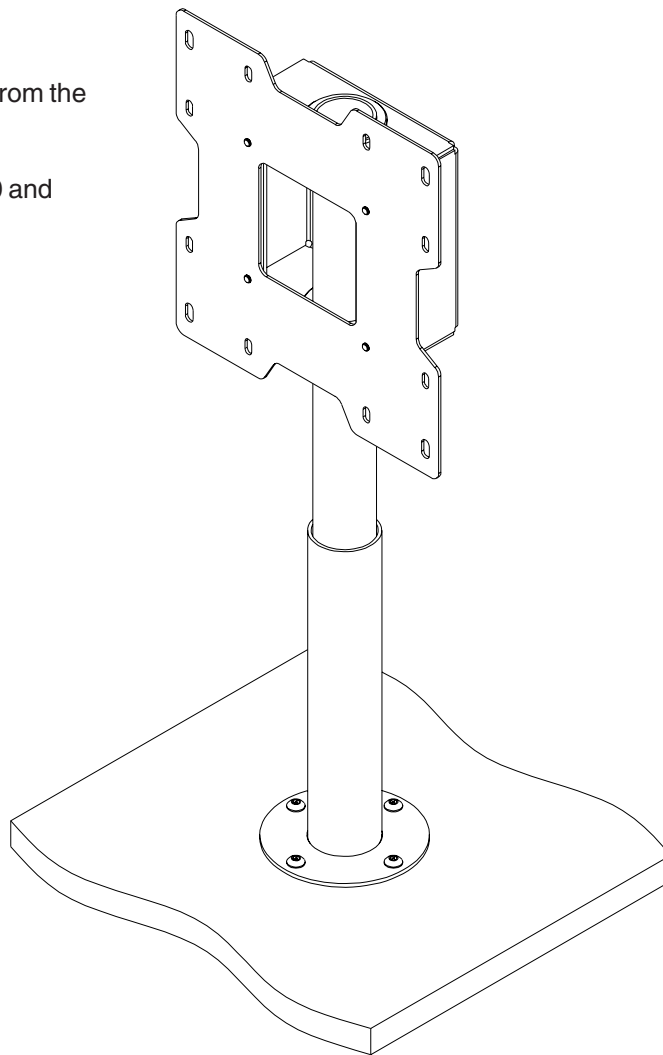
80 lb (36.3kg)

Shipping Carton dimensions:

L = 19.38 in (492 mm)

W = 9.75 in (248 mm)

H = 5.63 in (143 mm)



ARCHITECTS SPECIFICATIONS

The Desktop Swivel Mount shall be a Peerless model _____ and shall be located where indicated on the plans. It shall be constructed of heavy gauge steel. The finish shall be scratch resistant black fused epoxy. Assembly and installation shall be done according to instructions provided by the manufacturer.

Peerless Industries, Inc.

3215 W. North Ave. Melrose Park, IL 60160
708-865-8870 800-865-2112 Fax 708-865-2941

www.peerlessmounts.com

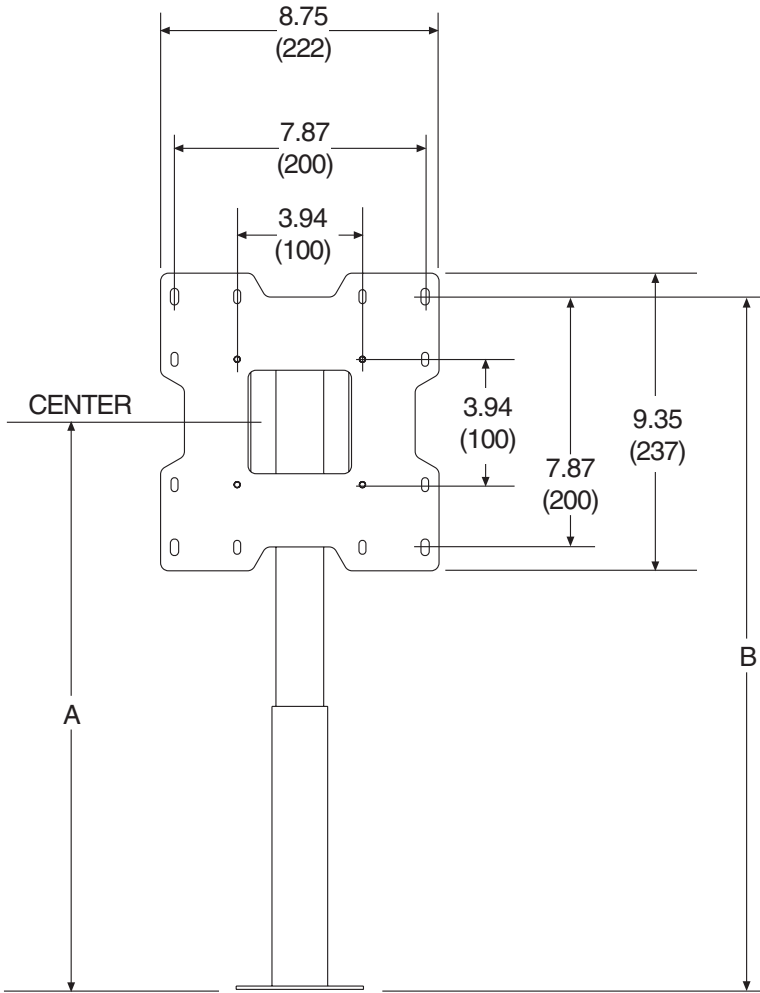
ISSUED: 09-28-07 SHEET NO: 124-9652-2 11-19-07

TECHNICAL DATA SHEET

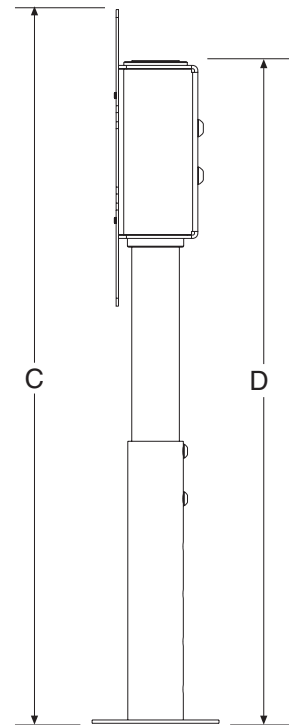
MODEL: HP432-002, HP432-002-S, HP432-002-GB

ALL DIMENSION = $\frac{\text{INCH}}{\text{(MM)}}$ UNLESS OTHERWISE SPECIFIED

	MIN	MAX
A	11.77 in / 299 mm	17.765 in / 451 mm
B	15.7 in / 399 mm	21.76 in / 553 mm
C	16.44 in / 418 mm	22.44 in / 570 mm
D	14.89 in / 378 mm	20.89 in / 531 mm



FRONT VIEW

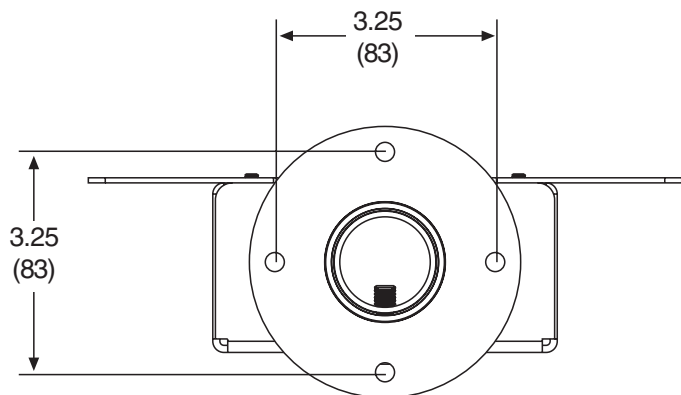


SIDE VIEW

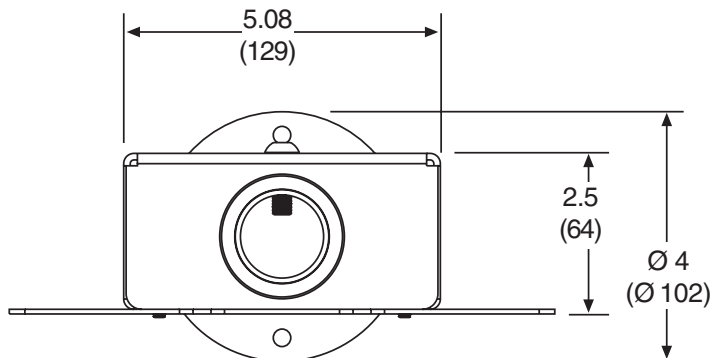
TECHNICAL DATA SHEET

MODEL: HP432-002, HP432-002-S, HP432-002-GB

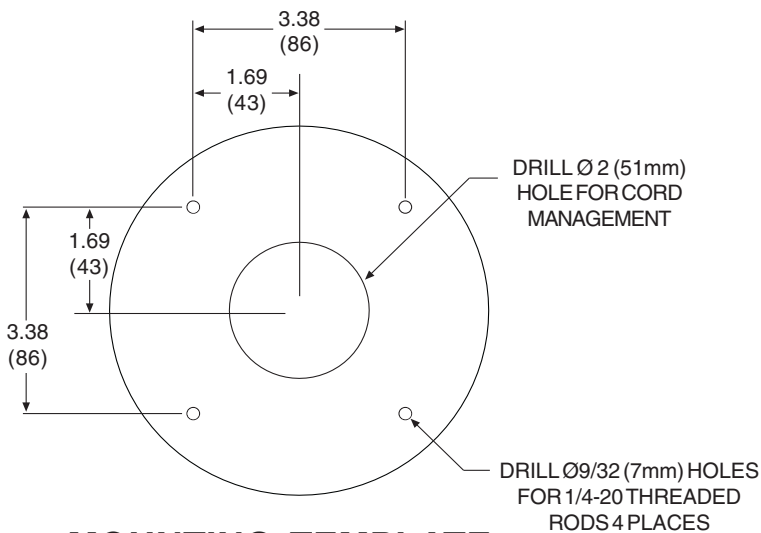
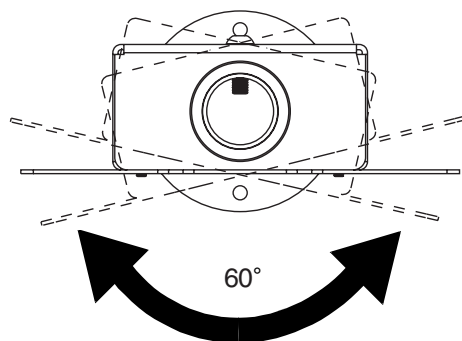
ALL DIMENSION = INCH (MM) UNLESS OTHERWISE SPECIFIED



BOTTOM VIEW



TOP VIEW



MOUNTING TEMPLATE