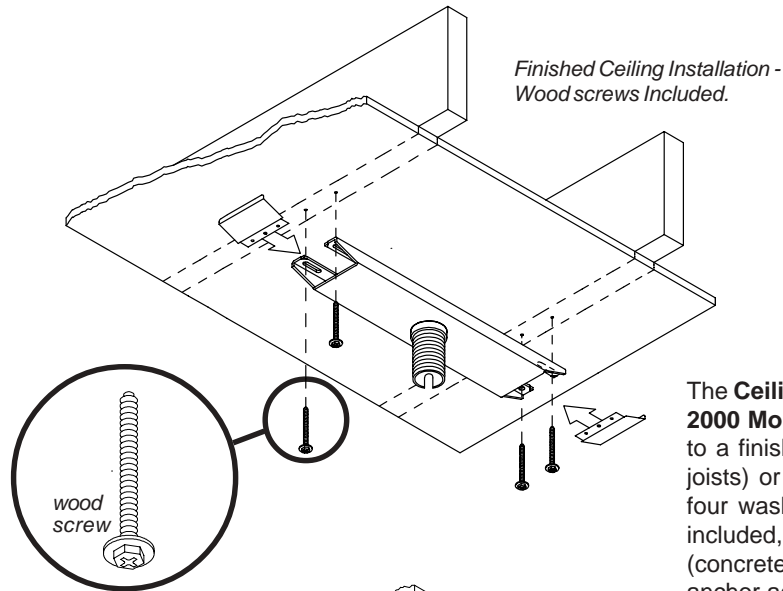
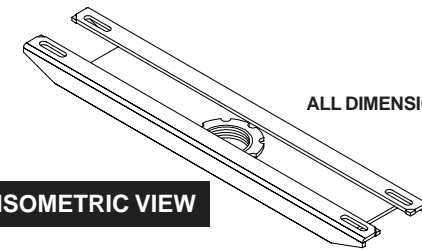
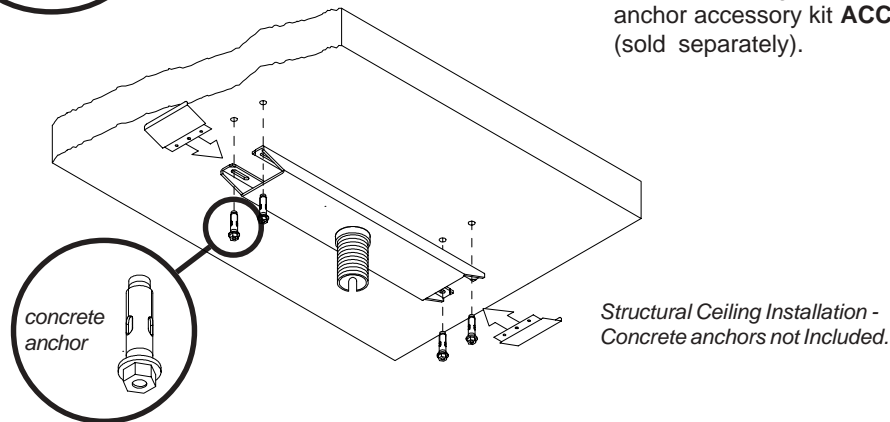


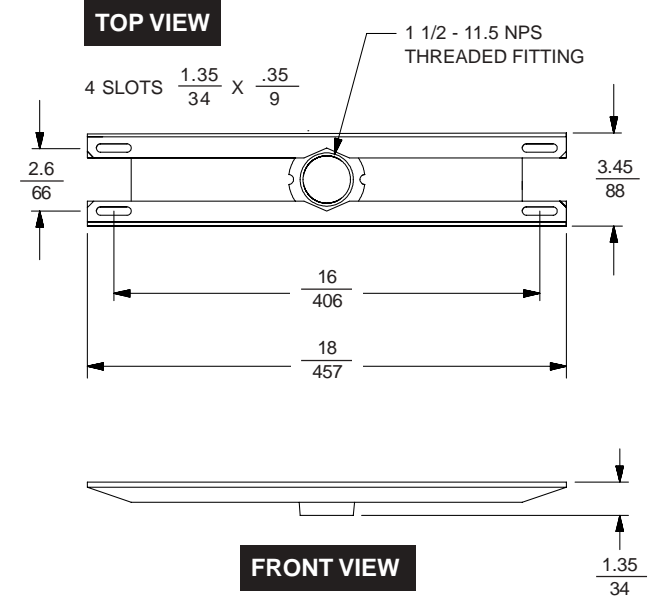
See page 2 for specifications / Jumbo 2000 Mount compatibility.



The Ceiling Plate for Jumbo 2000 Mounts can be attached to a finished ceiling (wood joists) or wood beam using the four washer head wood screws included, or a structural ceiling (concrete) using concrete anchor accessory kit ACC 210 (sold separately).



ALL DIMENSIONS: INCH
MM



Architects specifications:

The Ceiling Plate shall be a Peerless model _____ and shall be attached where indicated on the plans. It shall have a 1 1/2 - 11.5 NPS threaded fitting to accept a Peerless flush mount tube or extension column. It shall be constructed of 14 gauge cold rolled steel and finished in black or white fused epoxy. It shall be U.L. Listed. Assembly and installation shall be done according to the instructions provided by the manufacturer.

**TECHNICAL DATA SHEET
CEILING PLATE FOR JUMBO 2000 MOUNTS**

Peerless Industries, Inc.

3215 W. North Ave.
Melrose Park, IL 60160

phone: (708) 865-8870

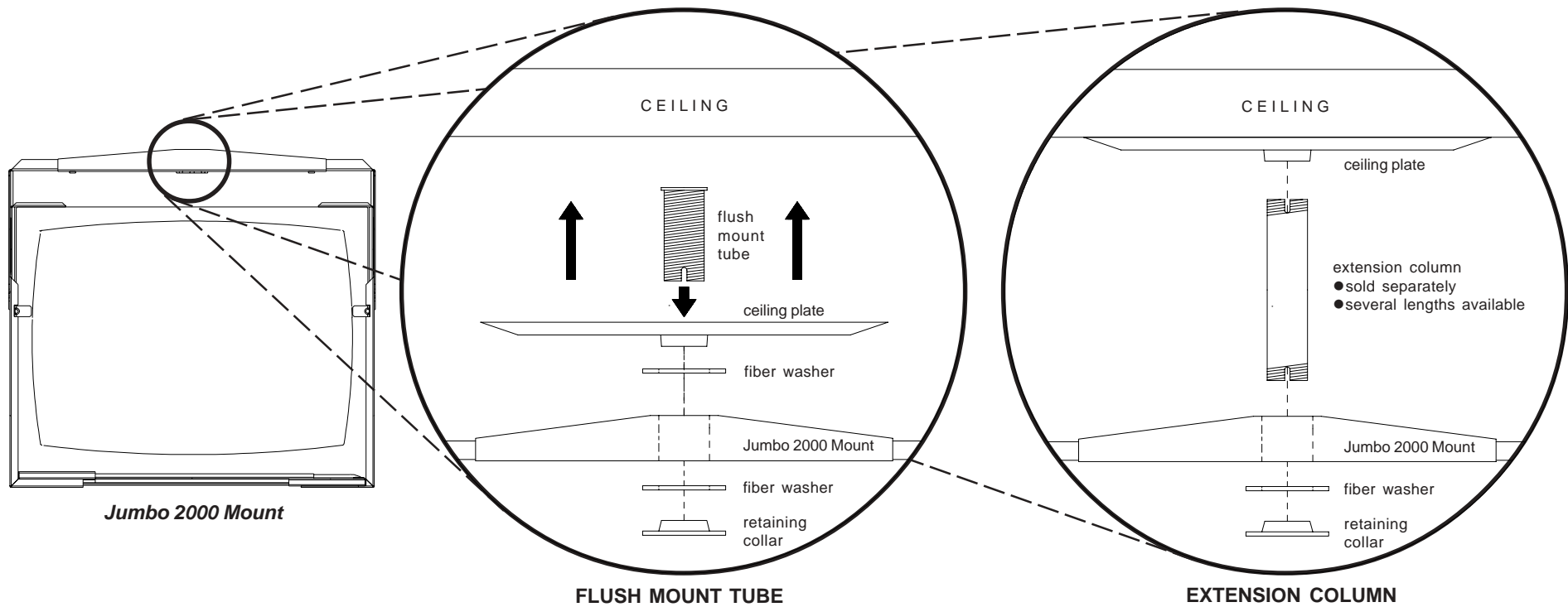
fax: (708) 865-2941

ISSUED: 12-28-04 SHEET NO: 128-9574-1

Jumbo 2000 Mount attaches to ceiling plate **CMJ 470 or CMJ 470W** with flush mount tube or extension column. Flush mount tube is included with Jumbo 2000 Mount. Various

lengths of extension columns are available. Adjustable length extension columns are also available. The ceiling to which the ceiling plate is

attached must be capable of carrying four times the combined weight of all components (Jumbo 2000 Mount, extension column, etc.) and equipment (monitor, VCR, etc.).



CEILING PLATE FOR JUMBO 2000 MOUNTS - SPECIFICATIONS			
Model Numbers	Max. Load Capacity		Compatible Jumbo 2000 Mount Models
	Concrete	Wood	
CMJ 470 CMJ 470W	300 lb (137 kg)	300 lb (137 kg)	JMC 2630, JMC 2630S, JMC 2640, JMC 2640S, JMC 2640D, JMC 2640DS, JMC 2650, JMC 2650S, JMC 2650D, JMC 2650DS, JMC 2655, JMC 2655S, JMC 2660, JMC 2660S, JMC 2665, JMC 2665S, JMC 2670, JMC 2670S, JMC 2675, JMC 2675S

WARNING: WEIGHT OF TV or MONITOR NOT TO EXCEED MAXIMUM LOAD CAPACITY!

Model Number	Weight	* Shipping Weight
CMJ470, CMJ 470W	4.4 lb (2 kg)	7 lb (3 kg)