

Installation and Assembly - DVD/DVR/VCR Mount for Jumbo® Mount

Models: VPM 25-J, VPM 25-JS, SVPM 25-J, SVPM 25-JS



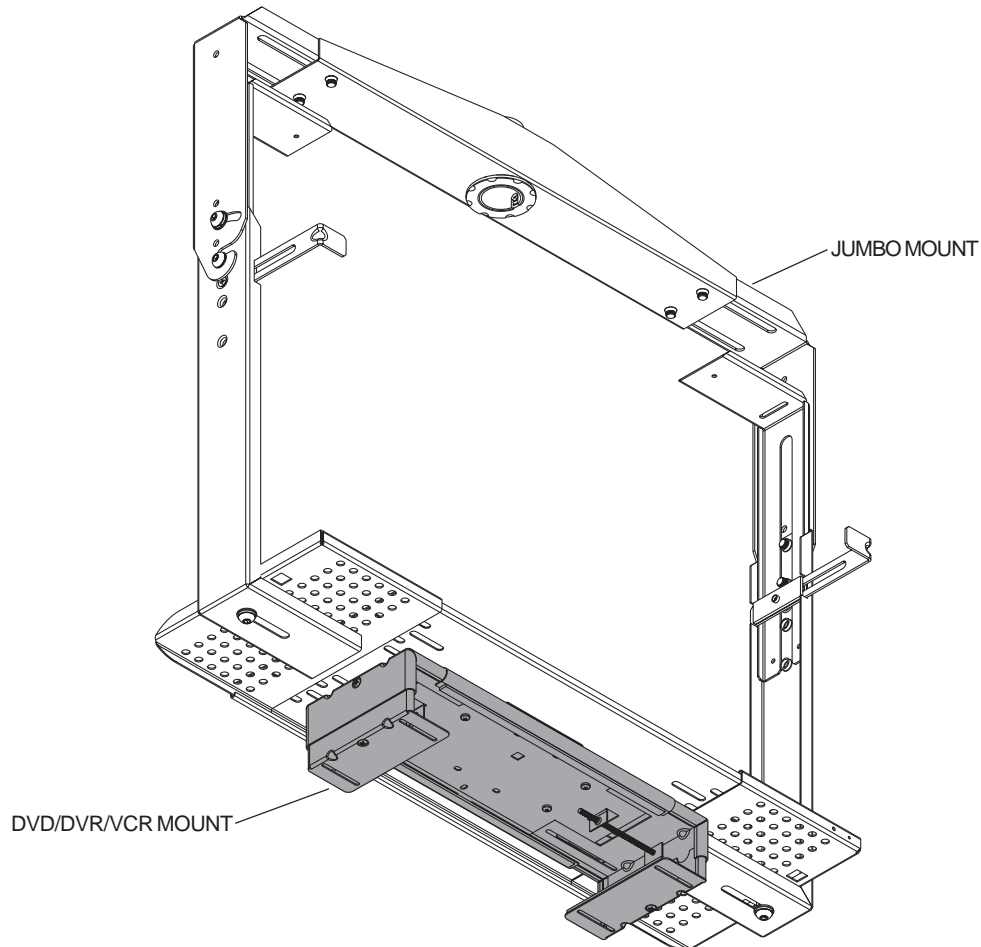
This product is intended for use with UL Listed products and must be installed by a qualified professional installer.

Maximum Load Capacity:
50 lb (22.7 kg)

Read instruction sheet before you start installation and assembly.

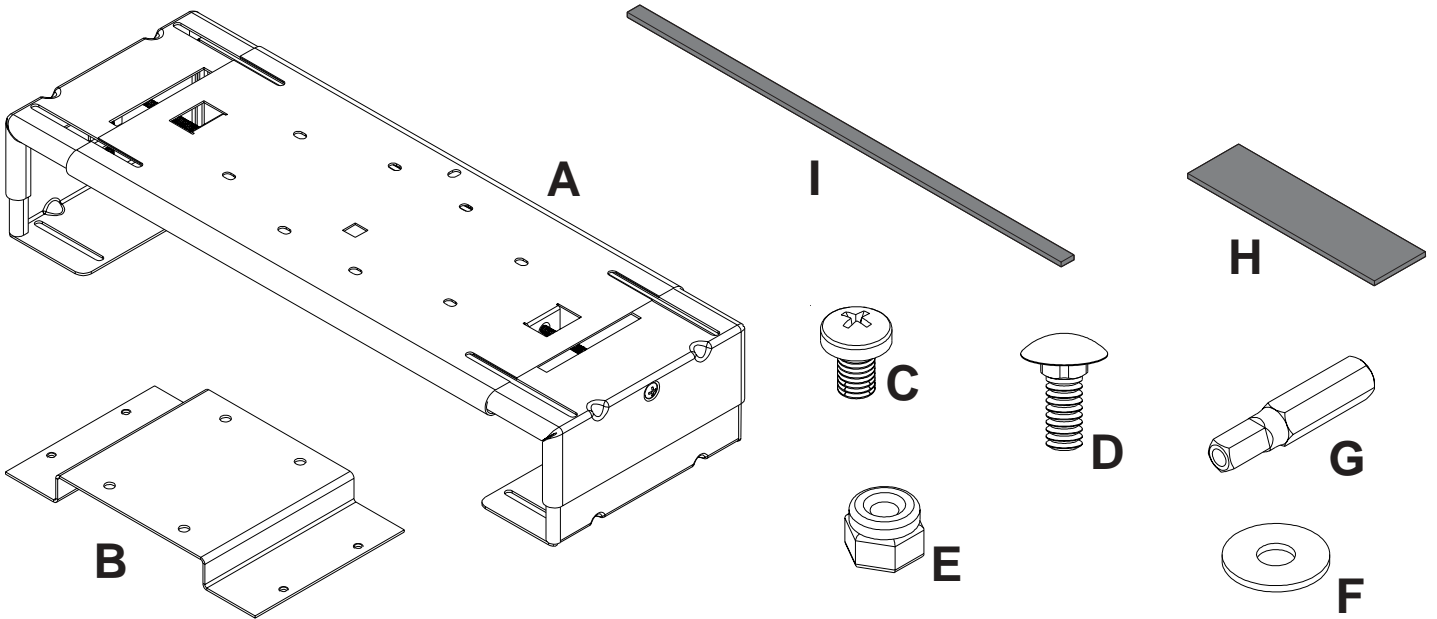
Installing a DVD/DVR/VCR Mount to a Jumbo® Mount with Threaded Holes in Center of Tray	page 3
Installing a DVD/DVR/VCR Mount to a Jumbo Mount with Slots in Center of Tray	page 3
Installing a Single DVD/DVR/VCR Mount	page 4
Installing Multiple DVD/DVR/VCR Mounts	page 5

INSIDE DIMENSIONS		MEDIA PLAYER DIMENSIONS	
WIDTH (W)	HEIGHT (H)	MAXIMUM	MINIMUM
13.25" - 17.25" (337 mm - 438 mm)	1.5" - 2.75" (38 mm - 70 mm)	17.25" x 2.50" (438 mm x 64 mm)	13.25" x 1.5" (337 mm x 38 mm)



Parts List

Description	Qty.	VPM 25-J Part	VPM 25-JS Part	SVPM 25-J Part	SVPM 25-JS Part
A DVD/DVR/DVR mount	1	081-0072	081-0076	081-0073	081-0077
B hanger bracket	1	1255-275	081-4086	1255-275	081-4086
C M5 x .8 x 8 mm self-tapping phillips screw	8	520-1167	520-2167	520-1167	520-2167
D #10-24 x 1/2" carriage bolt	8	520-9523	520-2104	520-9523	520-2104
E #10-24 nylock nut	8	530-9341	530-9342	530-9341	530-9342
F #10 SAE washer	8	540-9400	540-9442	540-9400	540-9442
G M5 x 1" penta-pin™ tool driver	1	—	—	520-9249	520-9249
H 1.5" x 4.5" x .125" adhesive foam	2	599-1122	599-1122	599-1122	599-1122
I .375" x 12.75" x .125" adhesive foam	2	599-3802	599-3802	599-3802	599-3802



1

Peel and place four pieces of adhesive foam (**H**, **I**) on the horizontal cross support and vertical adjusters as shown in figure 1.1 and 1.2.

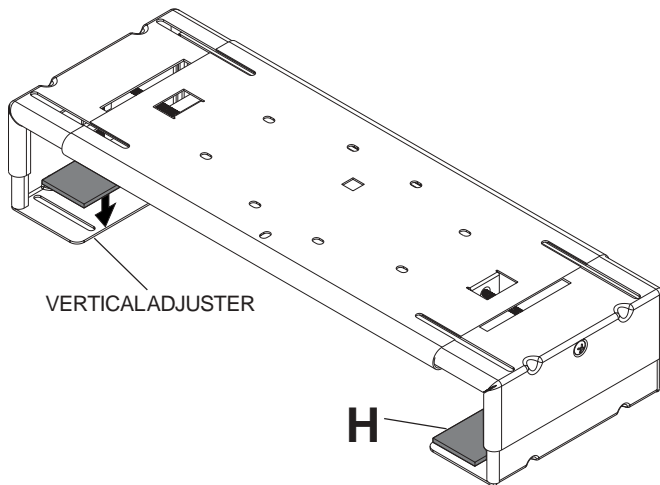


fig 1.1

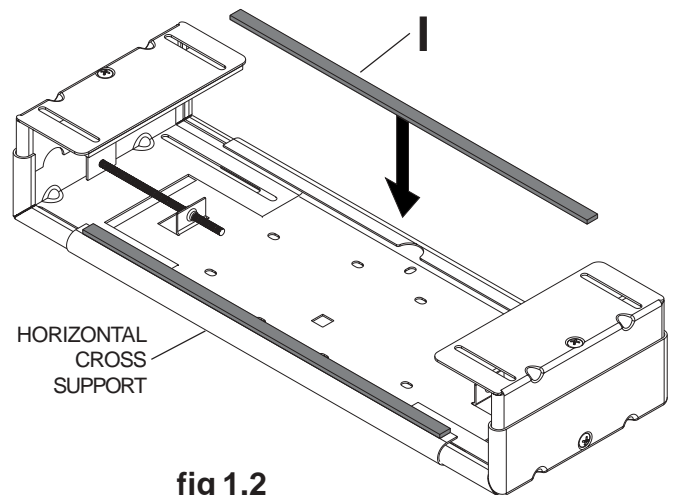
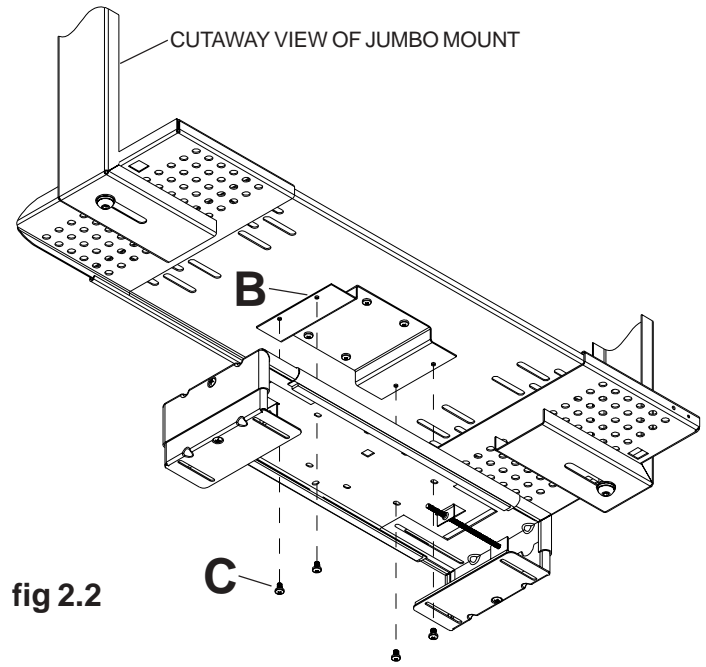
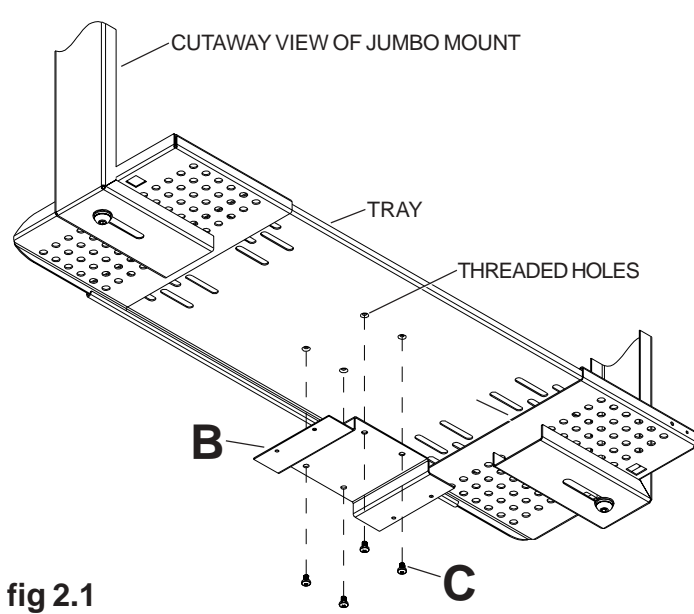


fig 1.2

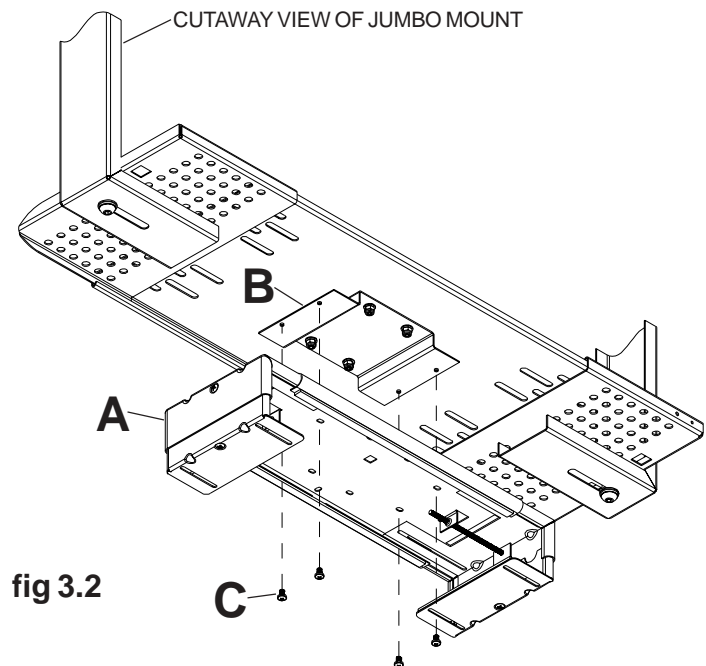
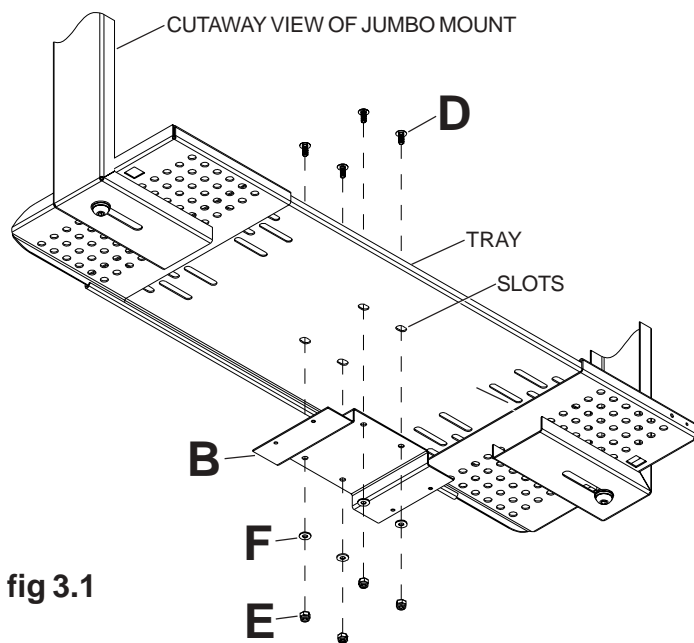
Installing a DVD/DVR/VCR Mount to a Jumbo® Mount with Threaded Holes in Center of Tray

- 2** Attach hanger bracket (B) underneath the Jumbo mount using four M5 x 8 mm screws (C) as in shown figure 2.1. Attach DVD/DVR/VCR mount (A) to hanger bracket (B) using four M5 x 8 mm screws (C) as in shown figure 2.2.



Installing a DVD/DVR/VCR Mount to a Jumbo Mount with Slots in Center of Tray

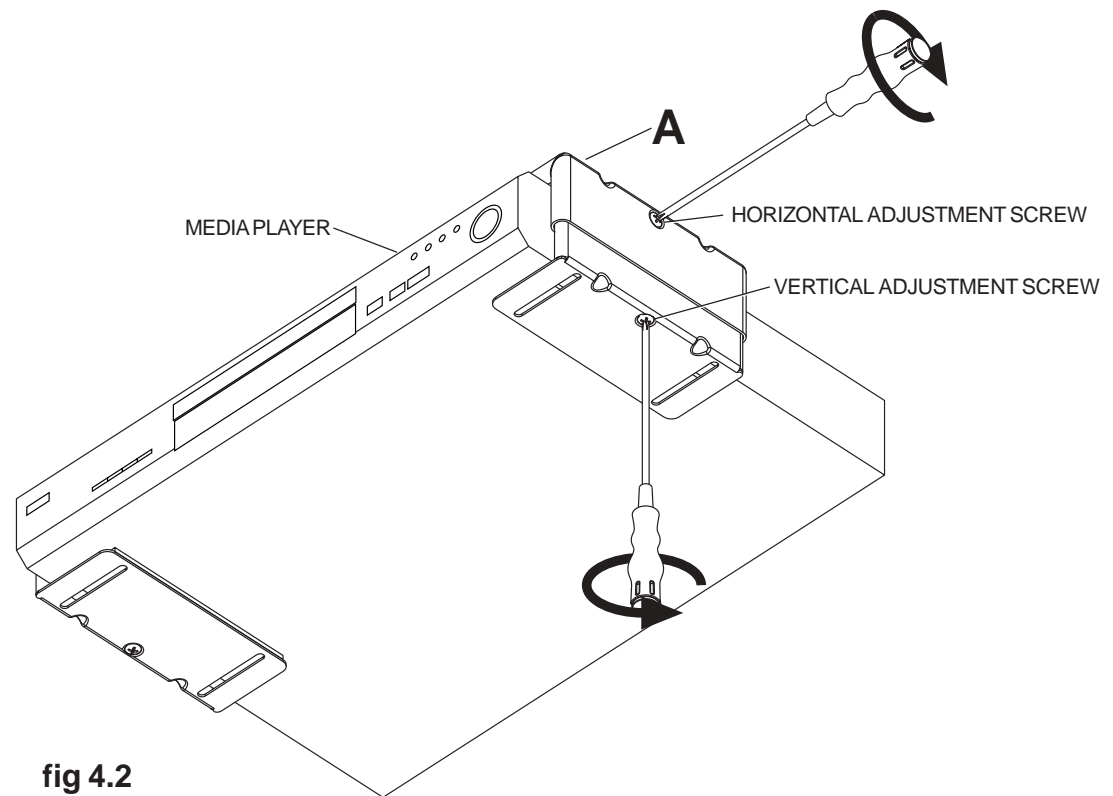
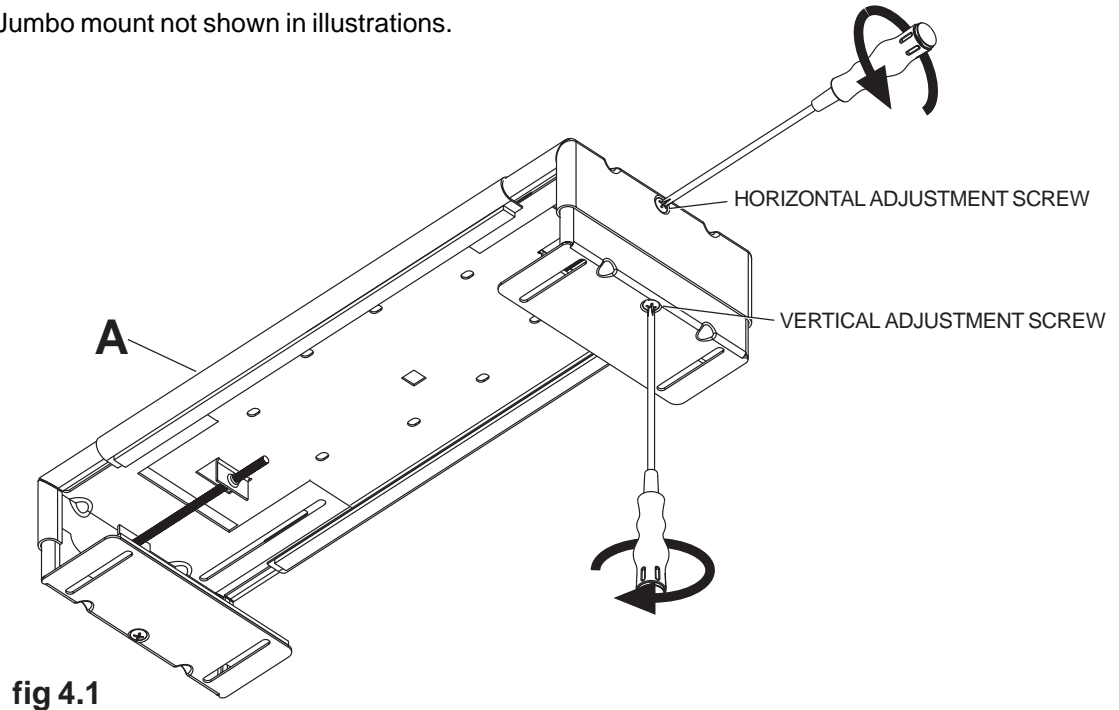
- 2** Attach hanger bracket (B) underneath the Jumbo mount using four #10-24 carriage bolts (D), #10 SAE washers (F), and #10-24 nylock nuts (E) as shown in figure 3.1. Attach DVD/DVR/VCR mount (A) to hanger bracket (B) using M5 x 8 mm screws (C) as shown in figure 3.2.



Installing a Single DVD/DVR/VCR Mount

- Adjust size of DVD/DVR/VCR mount (A) to fit media player by loosening vertical and horizontal adjustment screws where shown in figure 4.1 on both sides. Insert media player and align front of player with front of TV on Jumbo mount. Tighten vertical and horizontal adjustment screws where shown in figure 4.2 on both sides until player securely fits in mount.

Note: TV and Jumbo mount not shown in illustrations.



Installing Multiple DVD/DVR/VCR Mounts

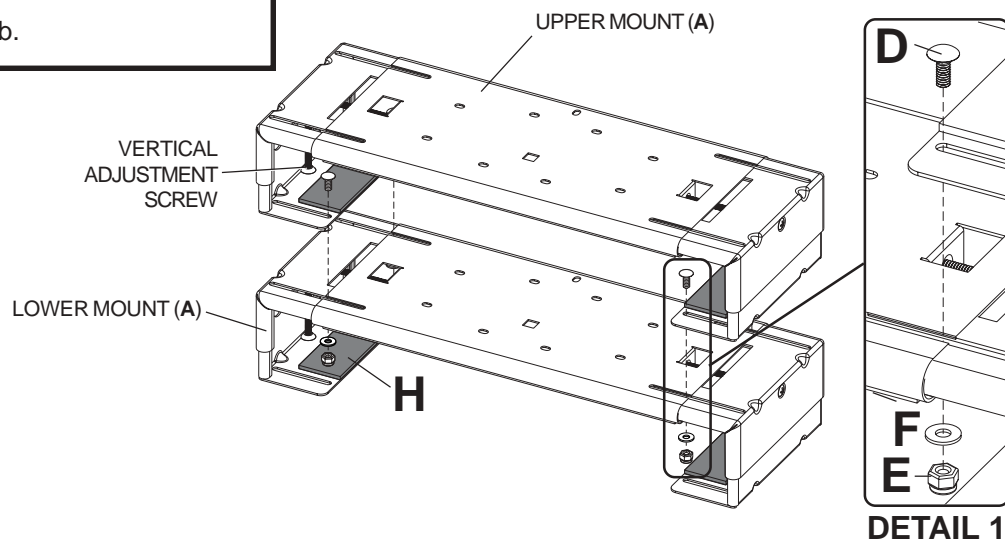
- 3** If adhesive foam (H) is covering slots, trim foam (H) to expose slots. Insert four carriage bolts (D) into slots of upper DVD mount (A). Loosely attach lower DVD mount (A) using four #10 SAE washers (F) and #10-24 nylock nuts (E). This will allow access to the vertical adjustment screws of the upper mount by being able to easily move the lower mount. **Note:** TV and TV mount not shown in illustrations.

⚠ WARNING

- Do not stack more than three DVD/DVR/VCR Mounts from a TV mount.

⚠ WARNING

- Stacked load cannot exceed 50 lb.



- 4** Adjust size of the upper DVD mount (A) to fit media player by loosening screws on both sides. Insert media player and align front of player with front of TV on TV mount. Tighten vertical and horizontal adjustment screws where shown on both sides until player securely fits in mount.

Note: To access the vertical adjustment screws of the upper mount, slide the lower mount to the side. Repeat for the opposite side.

Center lower DVD mount (A) and securely tighten four nuts (E). Repeat beginning of this step to install the media player into the lower DVD mount.

