

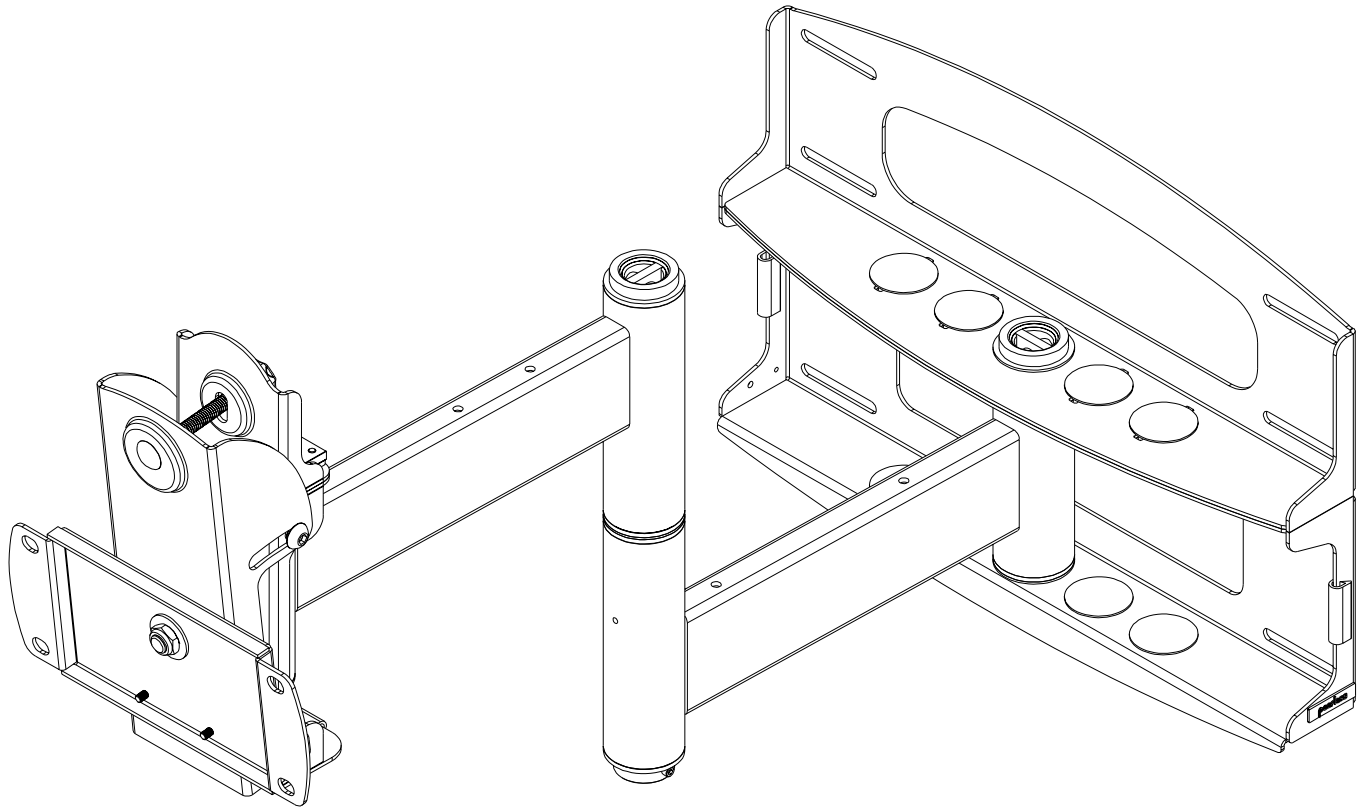
**Installation and Assembly - Articulating Swivel Arm for  
32" - 60" Plasma Screens**

**Models: PLA 60, PLA 60-S,  
PLAV 60, PLAV 60-S**



This product is UL Listed. It must be installed by a qualified professional installer.

**Maximum UL Load Capacity: 175 lb (79 kg)**



**Read instruction sheet before you start installation and assembly.**

## **⚠ WARNING**

- Do not begin to install your Peerless product until you have read and understood the instructions and warnings contained in this Installation Sheet. If you have any questions regarding any of the instructions or warnings, please call Peerless customer care at 1-800-729-0307.
- This product should only be installed by a qualified professional.
- Make sure that the supporting surface will safely support the combined load of the equipment and all attached hardware and components.
- Never exceed the Maximum UL Load Capacity of 175 lb (79 kg).
- Never mount this product to metal studs.
- If mounting to wood wall studs, make sure that mounting screws are anchored into the center of the studs. Use of an "edge to edge" stud finder is highly recommended.
- Always use an assistant or mechanical lifting equipment to safely lift and position equipment.
- Tighten screws and nuts firmly, but do not overtighten. Overtightening can damage the items, greatly reducing their holding power.

### **IMPORTANT!** Certain types of walls require additional mounting hardware...

<b>WALL CONSTRUCTION</b>	<b>ADDITIONAL HARDWARE REQUIRED</b>
Wood Stud, Wood Beam	none
Solid Concrete	Contact Customer Care for accessory kit
Other or unsure?	Contact Customer Care

**IMPORTANT!** Turn to the appropriate page for your wall installation.

#### **Installations:**

<b>To Wood Stud Walls .....</b>	<b>page 4</b>
<b>To Concrete Walls .....</b>	<b>page 5</b>

### **Accessories**

- concrete anchor 4-pack (ACC 224)

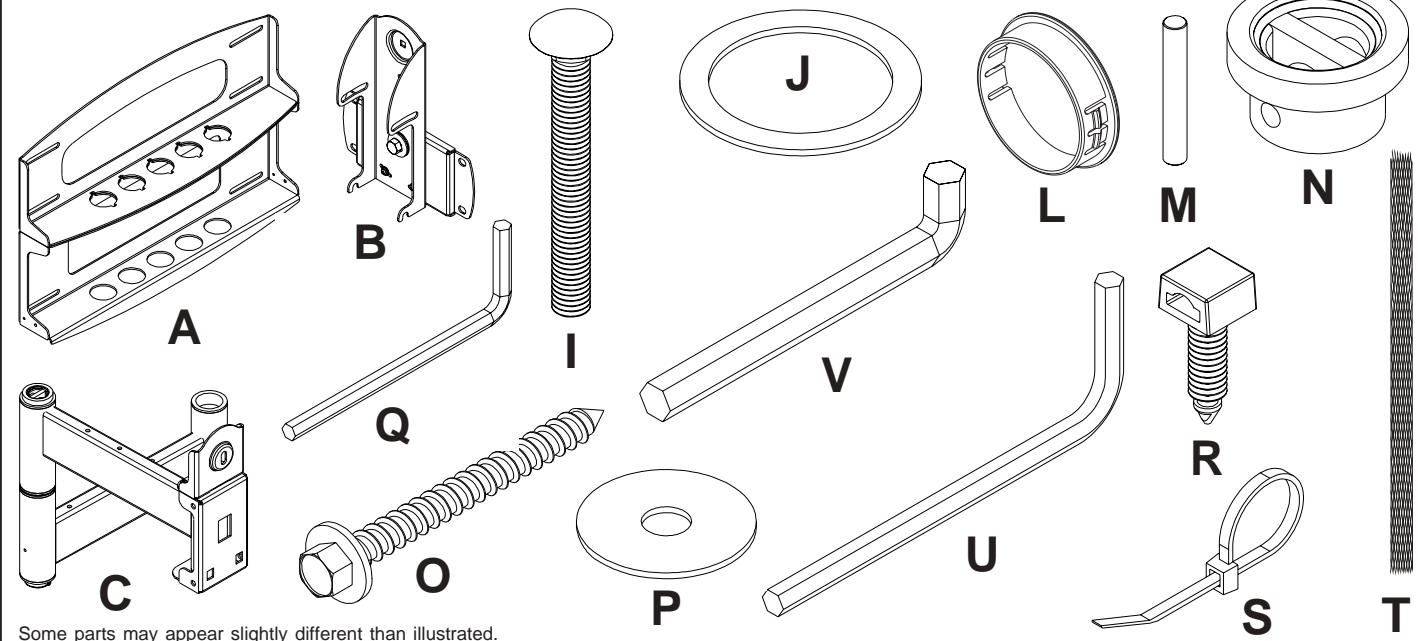
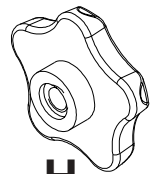
### **Tools Needed for Assembly**

- stud finder ("edge to edge" stud finder is recommended)
- drill
- 7/32" drill bit for wood studs
- 5/16" drill bit for concrete
- 7/16" socket wrench with extension (recommended)
- level
- phillips screwdriver

# Parts List

Before you start make sure all parts listed are included with your product.

DESCRIPTION	QTY.	PLA 60 PART #	PLA 60-S PART #	PLAV 60 PART #	PLAV 60-S PART #
A wall plate	1	201-1040	201-4040	201-1040	201-4040
B tilt-roll assembly	1	201-1093	201-4093	201-1048	201-4048
C arm assembly	1	201-1072	201-4072	201-1049	201-4049
D wall support arm axle	1	201-1041	201-1041	201-1041	201-1041
E vinyl trim	3	600-1012	600-1012	600-1012	600-1012
F M10 x 1.5 x 15 mm screw bolt	8	520-9262	520-9262	520-9262	520-9262
G .505 x .75 x .062" nylon washer	1	540-1074	540-1074	540-1074	540-1074
H tilt adjustment knob	1	560-0108	560-0108	560-0108	560-0108
I carriage bolt 3/8"-16 x 3.25"	1	520-1315	520-1315	520-1315	520-1315
J 1.525 x 2 x .062" delrin washer	2	540-1070	540-1070	540-1070	540-1070
K #8-32 x .375" socket head cap screw	1	520-1210	520-1210	520-1210	520-1210
L plastic finishing cap	8	590-1123	590-1123	590-1123	590-1123
M holding pin	1	580-1166	580-1166	580-1166	580-1166
N retainer plug	1	590-1007	590-1007	590-1007	590-1007
O 5/16 x 3" wood screw	8	520-1243	520-1243	520-1243	520-1243
P .250 x 1 x .068" washer	8	540-1063	540-1063	540-1063	540-1063
Q 9/64" allen wrench	1	560-9728	560-9728	560-9728	560-9728
R cable management clips	4	590-1166	590-1166	590-1166	590-1166
S cable tie	4	590-1168	590-1168	590-1168	590-1168
T 36" polyester mesh sleeve	1	600-1015	600-1015	600-1015	600-1015
U 6 mm allen wrench	1	560-9716	560-9716	560-9716	560-9716
V 10 mm allen wrench	1	n/a	n/a	560-9727	560-9727



Some parts may appear slightly different than illustrated.

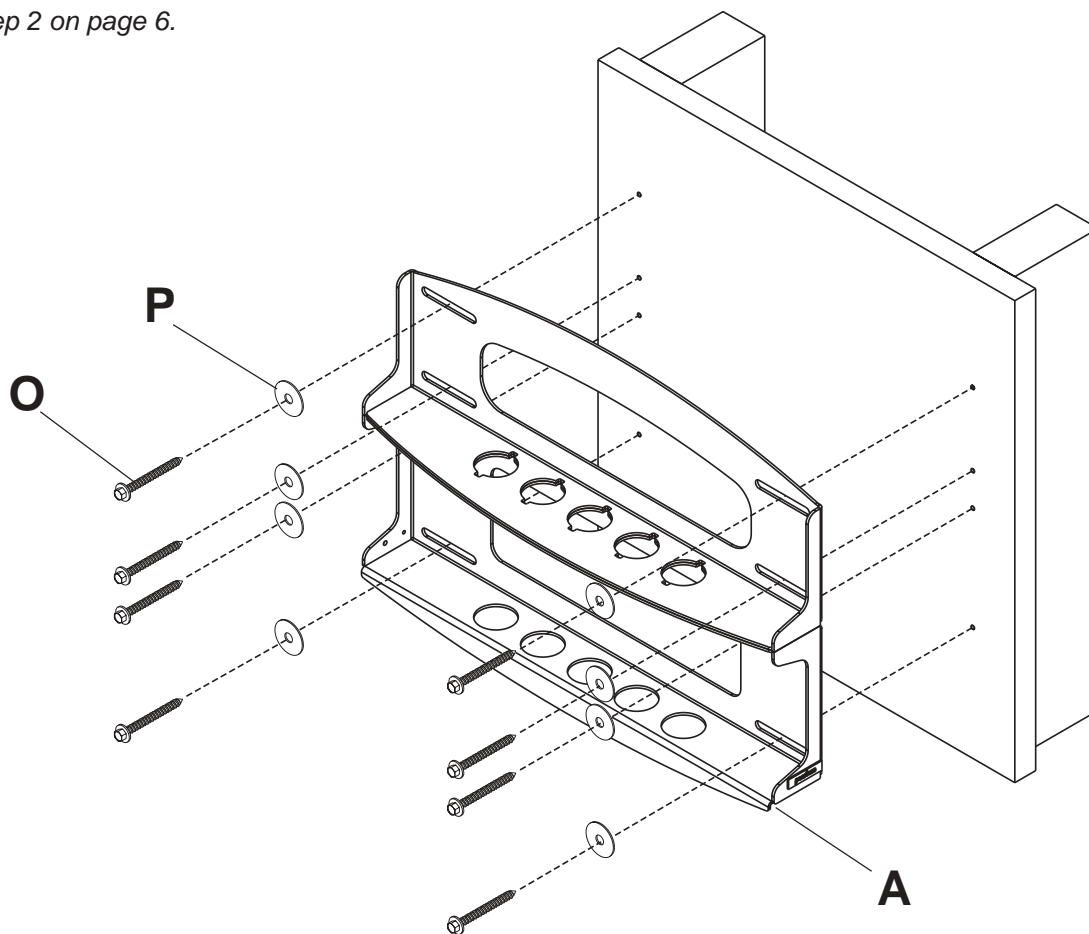
## Installation to Wood Stud Wall

### ⚠ WARNING

- Installer must verify that the supporting surface will safely support the combined load of the equipment and all attached hardware and components.
- Tighten wood screws so that wall plate is firmly attached, but do not overtighten. Overtightening can damage the screws, greatly reducing their holding power.
- Never tighten in excess of 80 in. • lb (9 N.M.).
- Never mount this product to metal studs.
- Make sure that mounting screws are anchored into the center of the stud. The use of an "edge to edge" stud finder is highly recommended.
- Hardware provided is for attachment of mount through standard thickness drywall or plaster into wood studs. Installers are responsible to provide hardware for other types of mounting situations.
- Never exceed the Maximum UL Load Capacity of 175 lb (79 kg).

- 1 Wall plate (**A**) can be mounted to two studs that are 16" apart. Use a stud finder to locate the edges of the studs. Use of an edge-to-edge stud finder is highly recommended. Based on their edges, draw a vertical line down each stud's center. Place wall plate on wall as a template. The top mounting slots should be located .36" above the desired screen center for PLA 60 and PLA 60-S and .43" below the desired screen center for PLAV 60 and PLAV 60-S. Level plate, and mark the center of the eight mounting holes. Make sure that the mounting holes are on the stud centerlines. Drill eight 7/32" dia. holes 3" deep. Make sure that the wall plate is level, secure it using eight 5/16 x 3" wood screws (**O**) and washers (**P**).

*Skip to step 2 on page 6.*



# Installation to Concrete Wall

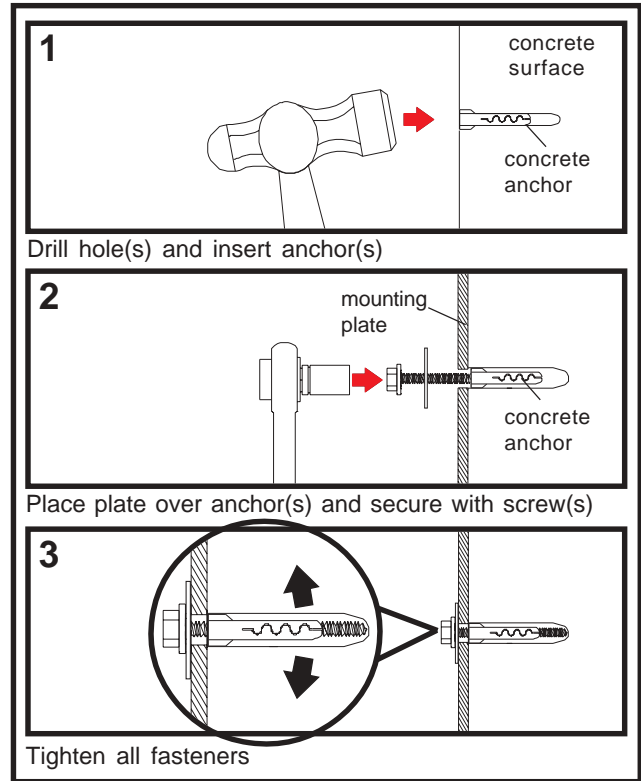
## ⚠ WARNING

- Concrete must be 2000 psi density minimum. Lighter density concrete may not hold concrete anchor.
- Make sure that the supporting surface will safely support the combined load of the equipment and all attached hardware and components.
- Never exceed the Maximum UL Load Capacity of 175 lb (79 kg).
- Never mount this product to metal studs.

**IMPORTANT! Concrete must be 2000 psi density minimum.**

**Note: Fasteners for concrete walls are not included, order TWO #ACC 224 accessory kits for installation on concrete walls.**

- 1 Use wall plate (A), making sure that it is level, as a template to mark holes. The top mounting slots should be located .36" above the desired screen center for PLA 60 and PLA 60-S and .43" below the desired screen center for PLAV 60 and PLAV 60-S. Drill 5/16" (8 mm) dia. holes to a minimum depth of 3" (76 mm). Insert anchors in holes flush with wall as shown (right). Place wall plate (A) over anchors and secure with 5/16 x 3" wood screws (O) and washers (P).

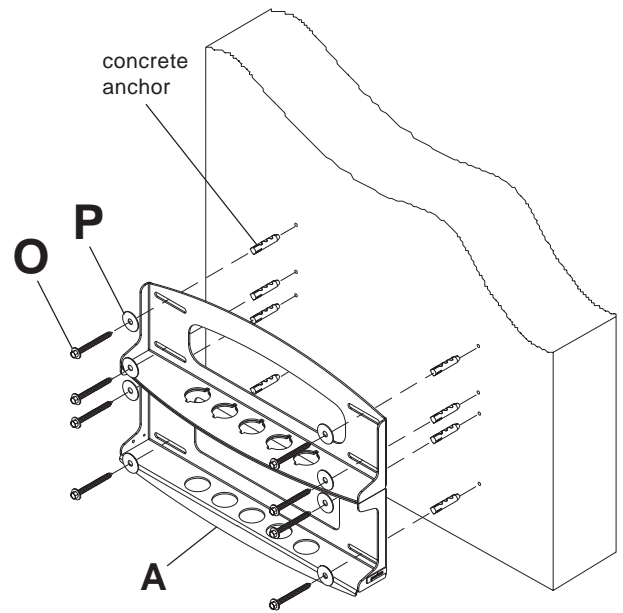
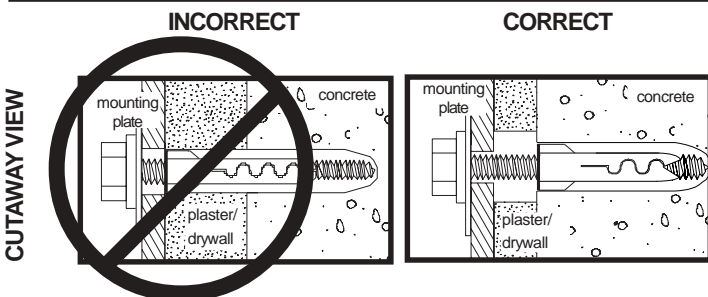


## ⚠ WARNING

- Tighten wood screws so that wall plate is firmly attached, but do not overtighten. Overtightening can damage screws, greatly reducing their holding power.
- Never tighten in excess of 80 in • lb (9 N.M.).

## ⚠ WARNING

- Always attach concrete expansion anchors directly to load-bearing concrete.
- Never attach concrete expansion anchors to concrete covered with plaster, drywall, or other finishing material. If mounting to concrete surfaces covered with a finishing surface is unavoidable, the finishing surface must be counterbored as shown below. If plaster/drywall is thicker than 5/8", custom fasteners must be supplied by installer (Not evaluated by UL).



## ⚠ WARNING

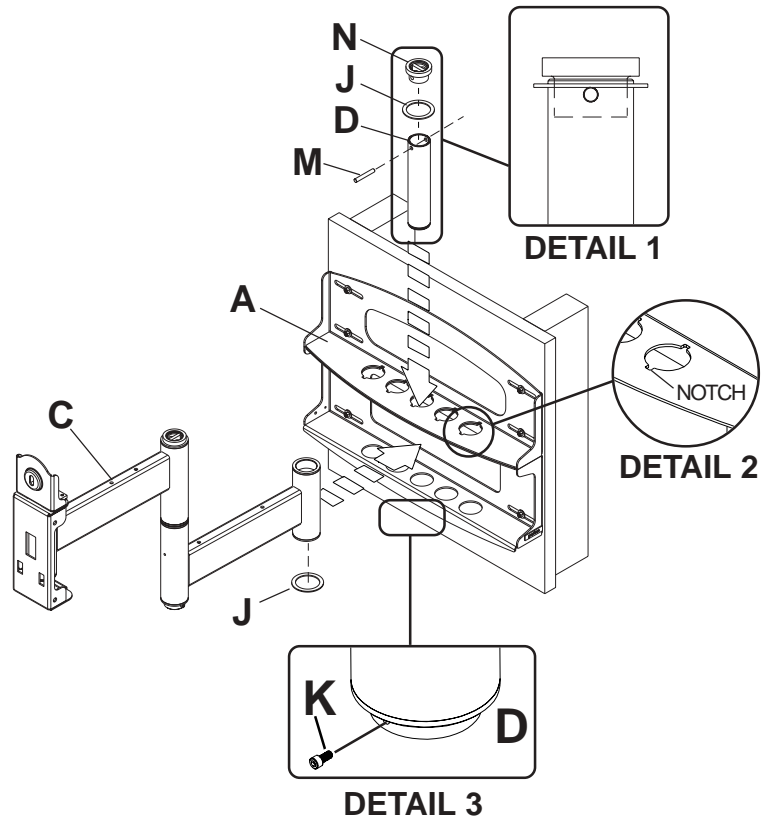
- If you are uncertain that product is properly installed, call customer care.

**2** **Note: There are five mounting positions. The center position is shown (right).** Slide washer (J) over wall support arm axle (D). Next, insert plastic cap (N) into axle. Then, insert holding pin (M) into axle. See detail 1.

**2-1** Place arm assembly (C) with washer (J) into wall plate (A). Insert axle assembly shown in detail 1 through wall plate (A), arm assembly (C), and washer (J). Lock axle in place by aligning holding pin (M) with notches shown in detail 2.

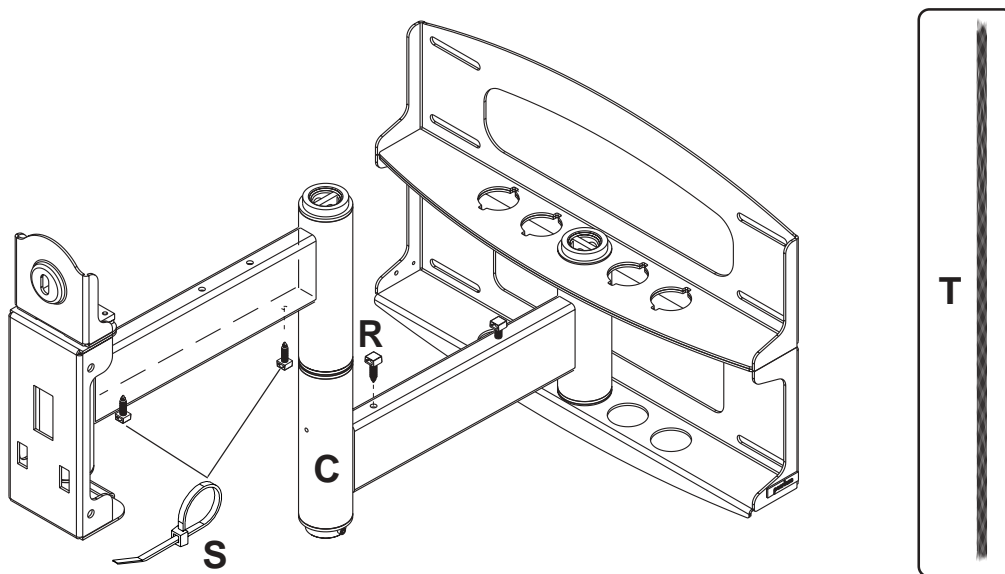
**2-2** Insert socket cap screw (K) into hole at bottom of wall support arm axle (D) as shown in detail 3. Tighten screw using 9/64" allen wrench (Q).

**Note:** Fit of axle (D) into wall plate (A) and arm assembly (C) will be tight. Gently tap into place with a hammer if necessary.



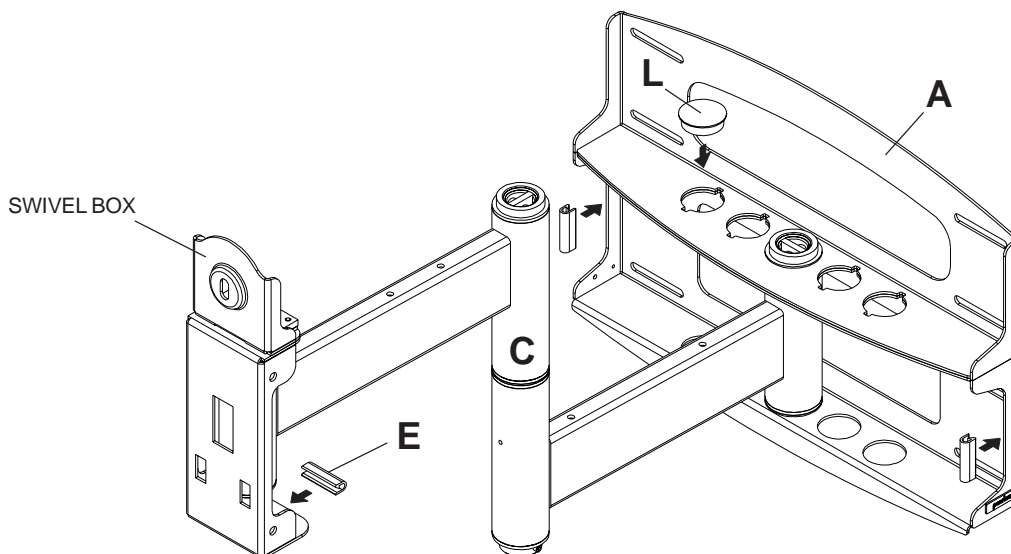
**3** Snap four cable management clips (R) into top or bottom of arm assembly (C) as shown. Cable ties (S) are used with clips for cord management.

**3-1** Slide one mesh sleeve (T) over each cable. Use cable ties (S) to tighten mesh sleeves to cables.



4 Attach two pieces of vinyl trim (E) to wall plate (A). Next, attach one piece of vinyl trim to bottom of swivel box on arm assembly (C).

4-1 Insert one finishing cap (L) into each unused hole of wall plate (A).



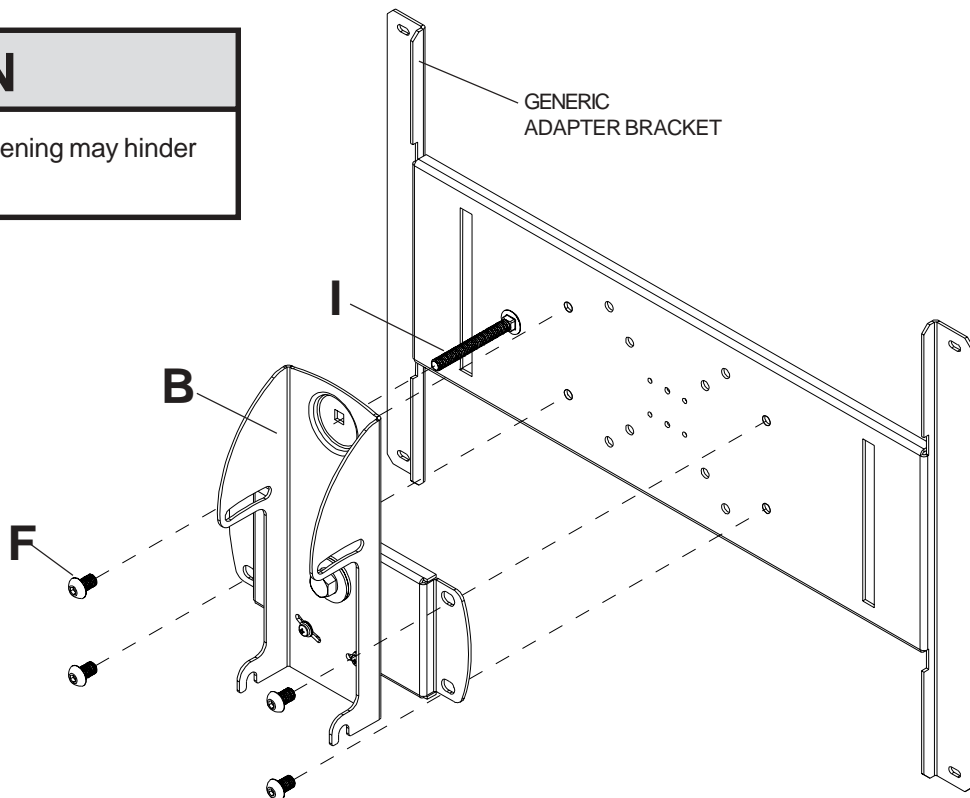
**Note:** Refer to adapter bracket instruction sheet for attachment of adapter bracket to plasma before proceeding with step 5. If your adapter bracket has an aluminum race attached to it, remove before proceeding and discard race. It is not used with this product.

5 Insert and tape carriage bolt (I) into top hole of pitch-roll assembly (B). Attach tilt-roll assembly to adapter bracket with four M10 socket screws (F). Tighten screws using 6 mm allen wrench (U).

**Note:** Adapter bracket (not UL evaluated, sold separately) will vary in size and style.

## CAUTION

- Do not overtighten screws! Overtightening may hinder roll option.

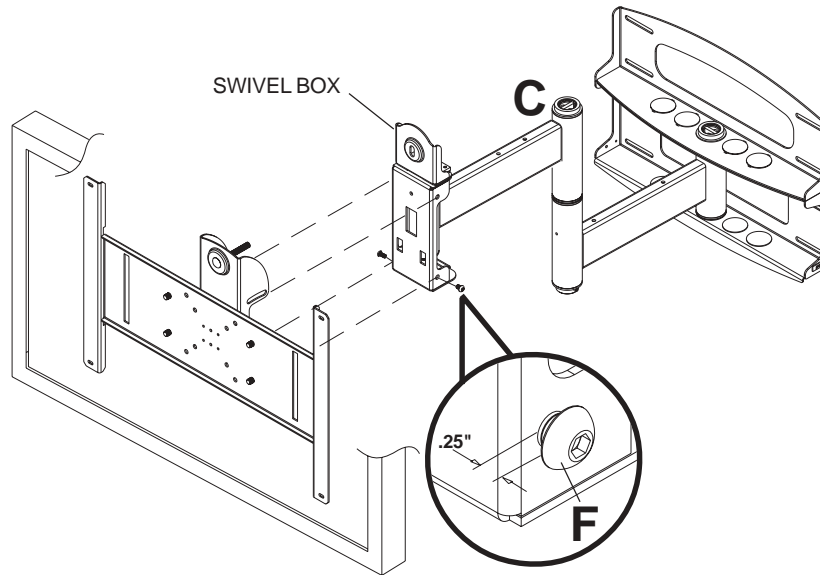




## ⚠ WARNING

- Use an assistant or mechanical lifting equipment to safely lift and position the plasma TV.

- 6** Insert two M10 screws (**F**) into swivel box on arm assembly (**C**) as shown. Leave approx. 1/4" of exposed thread.

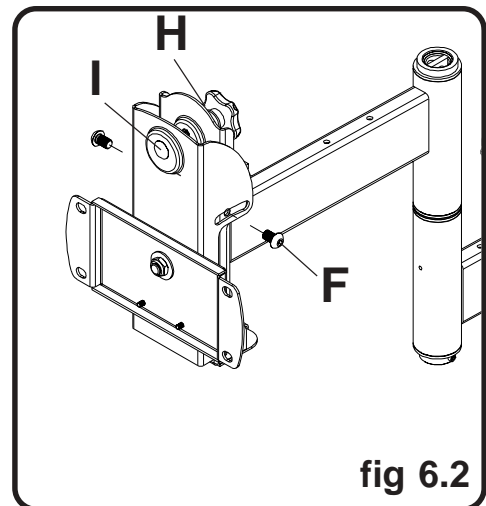
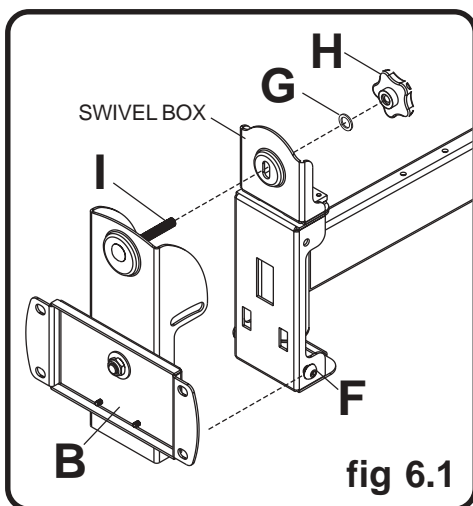


- 6-1** Hook tilt-roll assembly (**B**) onto M10 screws (**F**). Insert carriage bolt (**I**) into slot of swivel box as shown in figure 6.1. Install nylon washer (**G**) and tilt adjustment knob (**H**).

- 6-2** Install remaining two M10 screws (**F**) as shown in figure 6.2. **HAND TIGHTEN** all four M10 screws to allow for tilt adjustment. Remove tape from carriage bolt (**I**). For tilt adjustment, push back on the top of plasma to relieve pressure on knob. Adjust tilt to desired position and tighten tilt adjustment knob (**H**), then securely tighten all four M10 screws (**F**) using 6 mm allen wrench (**U**).

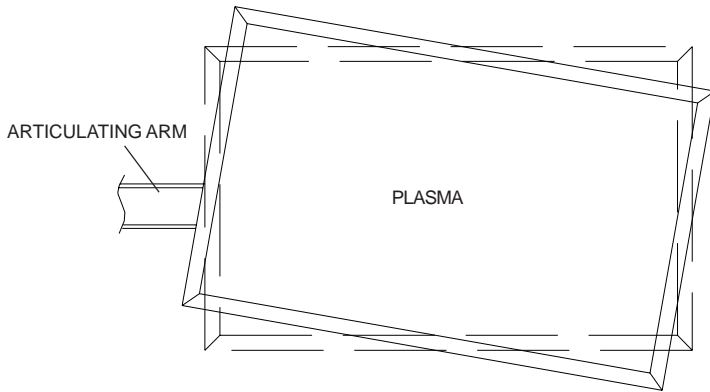
## CAUTION

- After tilt is adjusted, all fasteners must be tightened. Failure to do so will result in damage to the mount.



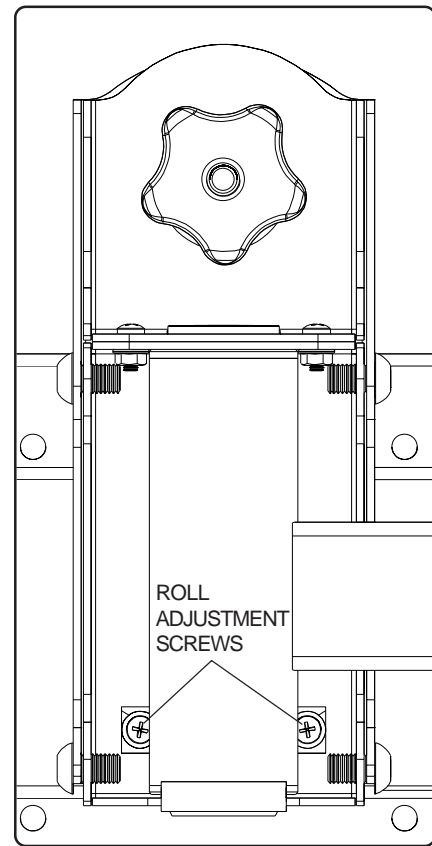


**7** Depending on the specific size & weight of the plasma, articulating swing arm may be angled at different positions, causing plasma to appear to lean sideways at different articulating positions. Tilt-roll assembly (**B**) allows plasma to be manually adjusted, so plasma can be horizontal at all positions. To adjust, gently rotate plasma by hand to desired position.



**7-1** If it is too difficult to adjust roll of plasma, loosen screws shown in figure 7.1 using a phillips screwdriver.

**IMPORTANT!** Do not loosen or tighten screws more than 1/8 turn.

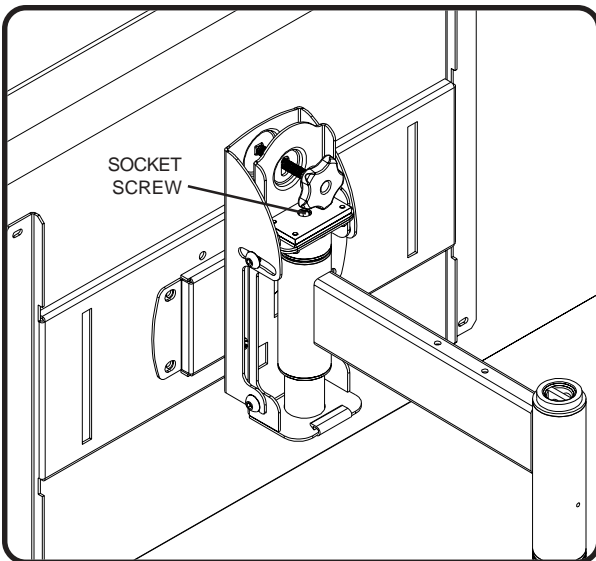


**fig 7.1**

**FOR PLAV 60 ONLY:**

**8** Position of screen may be adjusted vertically up to .79" in each direction by doing the following:

- To lower screen, turn socket screw shown in figure 8.1 clockwise with 10 mm allen wrench (**V**).
- To raise screen, turn socket screw shown in figure 8.1 counterclockwise with 10 mm allen wrench (**V**).



**fig 8.1**