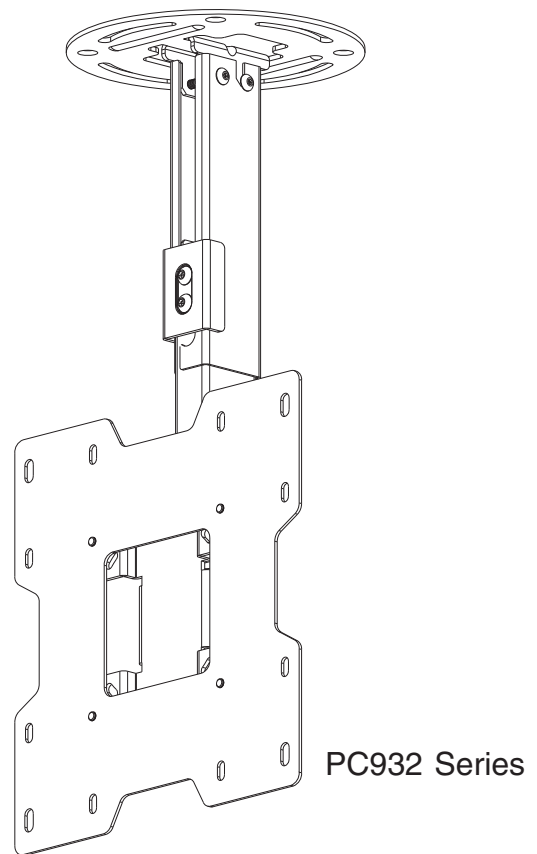
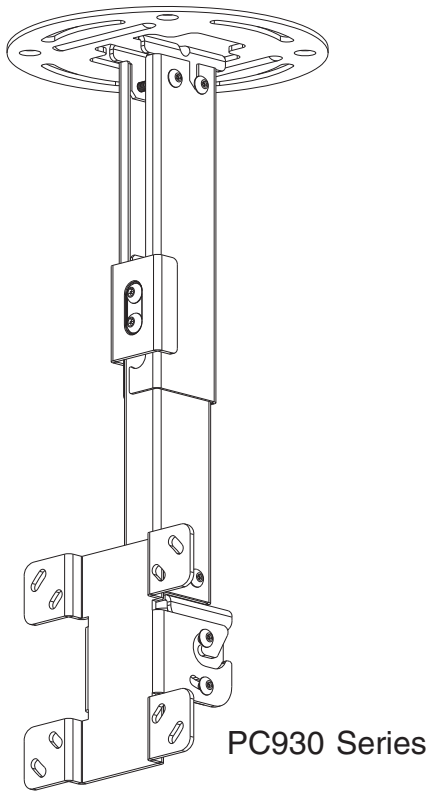


Installation and Assembly: ParamountTM Ceiling Mount for LCD Screens

Models	Screen Size Range	Max UL Load Capacity
PC930A, PC930A-S, PC930A-W, PC930B, PC930B-S, PC930B-W, PC930C, PC930C-S, PC930C-W	15" to 24"	50 lb (22.7 kg)
PC932A, PC932A-S, PC932A-W, PC932B, PC932B-S, PC932B-W, PC932C, PC932C-S, PC932C-W	15" to 37"	80 lb (36.3 kg)



This product is intended for use with UL Listed products and must be installed by a qualified professional installer.



Features:

- VESA® 75 / 100 / 200x100 / 200x200 compatible (based on model)
- Three adjustable extension lengths:
 PC930A/PC932A models - 9.8" - 13.9"
 PC930B/ PC932B models - 13.78" - 21.89"
 PC930C/ PC932C models - 20.24" - 34.02"
- Adjustable tilt of +25/-5°
- 360° of mountable adjustment
- Internal cable management
- Safety catch designed into extension channels to ensure user and equipment safety

Note: Read entire instruction sheet before you start installation and assembly.

⚠ WARNING

- Do not begin to install your Peerless product until you have read and understood the instructions and warnings contained in this Installation Sheet. If you have any questions regarding any of the instructions or warnings, please call Peerless customer care at 1-800-865-2112.
- This product should only be installed by someone of good mechanical aptitude, has experience with basic building construction, and fully understands these instructions.
- Make sure that the supporting surface will safely support the combined load of the equipment and all attached hardware and components.
- Never exceed the Maximum UL Load Capacity. See page 1.
- If mounting to wood ceiling studs, make sure that mounting screws are anchored into the center of the studs. Use of an "edge to edge" stud finder is highly recommended.
- Always use an assistant or mechanical lifting equipment to safely lift and position equipment.
- Tighten screws firmly, but do not overtighten. Overtightening can damage the items, greatly reducing their holding power.
- This product is intended for indoor use only. Use of this product outdoors could lead to product failure and personal injury.
- This product was designed and intended to be mounted to the following supporting surfaces checked below with the hardware included in this product as specified in the installation sheet. To mount this product to an alternative supporting surface, contact Peerless customer care at 1 800 865-2112.
- This product was designed to be installed on the following ceiling construction only;

CEILING CONSTRUCTION

ADDITIONAL HARDWARE REQUIRED

<input checked="" type="checkbox"/> Wood Stud, Joist	None
<input checked="" type="checkbox"/> Wood Beam	None
<input checked="" type="checkbox"/> Solid Concrete	None
<input type="checkbox"/> Cinder Block	Contact Customer Service
<input type="checkbox"/> Metal Stud	Do not attach except with Peerless accessory kit for metal studs; Contact Customer Service for Peerless accessory kit for metal studs.
<input type="checkbox"/> Brick	Contact Customer Service
<input type="checkbox"/> Other or unsure?	Contact Customer Service

Tools Needed for Assembly

- stud finder ("edge to edge" stud finder is recommended)
- drill
- level
- 1/4" bit for concrete
- 5/32" bit for wood joist
- phillips screwdriver

Table of Contents

Parts List	3, 4
Install Outer Channel to Ceiling Plate	4
Installation to Wood Joist	5
Installation to Concrete Ceilings	6
Installing Inner Channel and Routing Cables	7
Attaching Mounting Plate to Screen with VESA 75 or 100 Mounting Pattern	8
Attaching Adapter Plate to Screen with VESA 200 x 100 or 200 x 200 Mounting Pattern	9
Installing Flat Panel Screen	10
Adjusting Mount Extension	10
Adjusting Screen	11
Install Cable Covers	11

Before you begin, make sure all parts shown are included with your product.

Parts List	Description	Qty.	PC930A, PC930B, PC930C	PC930A-S, PC930B-S, PC930C-S	PC930A-W, PC930B-W, PC930C-W	PC932A, PC932B, PC932C	PC932A-S, PC932B-S, PC932C-S	PC932A-W, PC932B-W, PC932C-W
			Part #	Part #	Part #	Part #	Part #	Part #
A	ceiling plate	1	055-1773	055-4773	055-2773	055-1773	055-4773	055-2773
B	outer channel	1	See Chart	See Chart	See Chart	See Chart	See Chart	See Chart
C	inner channel	1	See Chart	See Chart	See Chart	See Chart	See Chart	See Chart
D	clamp plate	1	055-1771	055-4771	055-2771	055-1771	055-4771	055-2771
E	swivel/pivot bracket	1	055-1811	055-4811	055-2811	055-1811	055-4811	055-2811
F	tilt bracket	1	095-1484	095-4484	095-2484	095-1484	095-4484	095-2484
G	cable cover	2	See Chart	See Chart	See Chart	See Chart	See Chart	See Chart
H	#14 x 2.5 wood screw	2	5S1-015-C03	5S1-015-C04	5S1-015-C04	5S1-015-C03	5S1-015-C04	5S1-015-C04
I	Alligator® concrete anchor	2	590-0097	590-0097	590-0097	590-0097	590-0097	590-0097
J	M5 x 10 mm socket pin screw	8	520-1063	520-2063	520-2063	520-1063	520-2063	520-2063
K	M6 x 10 mm socket pin screw	4	520-1066	520-2066	520-2066	520-1066	520-2066	520-2066
L	M6 x 12 mm socket pin screw	2	520-1050	520-2050	520-2050	520-1050	520-2050	520-2050
M	M4 x 10 mm socket pin screw	4	520-1060	520-2060	520-2060	520-1060	520-2060	520-2060
N	M4 x 12 mm socket pin serrated washer head screw	4	510-1079	510-2079	510-2079	510-1079	510-2079	510-2079
O	M4 x 20 mm socket pin screw	4	520-1061	520-2163	520-2163	520-1061	520-2163	520-2163
P	retaining spacer	4	590-5005	590-5005	590-5005	590-5005	590-5005	590-5005
Q	4 mm security allen wrench	1	560-9646	560-9646	560-9646	560-9646	560-9646	560-9646
R	adapter plate	1	N/A	N/A	N/A	095-1322	095-4322	095-2322
S	M5 x 6 mm socket pin screw	4	N/A	N/A	N/A	520-1114	520-2062	520-2062
T	#10 flat washer	4	N/A	N/A	N/A	540-9400	540-9442	540-9442
U	M6 x 12 mm socket pin screw	4	N/A	N/A	N/A	520-1050	520-2050	520-2050
V	M6 x 20 mm socket pin screw	4	N/A	N/A	N/A	520-9554	520-2554	520-2554
W	M6 x 30 mm socket pin screw	4	N/A	N/A	N/A	520-1067	520-2067	520-2067

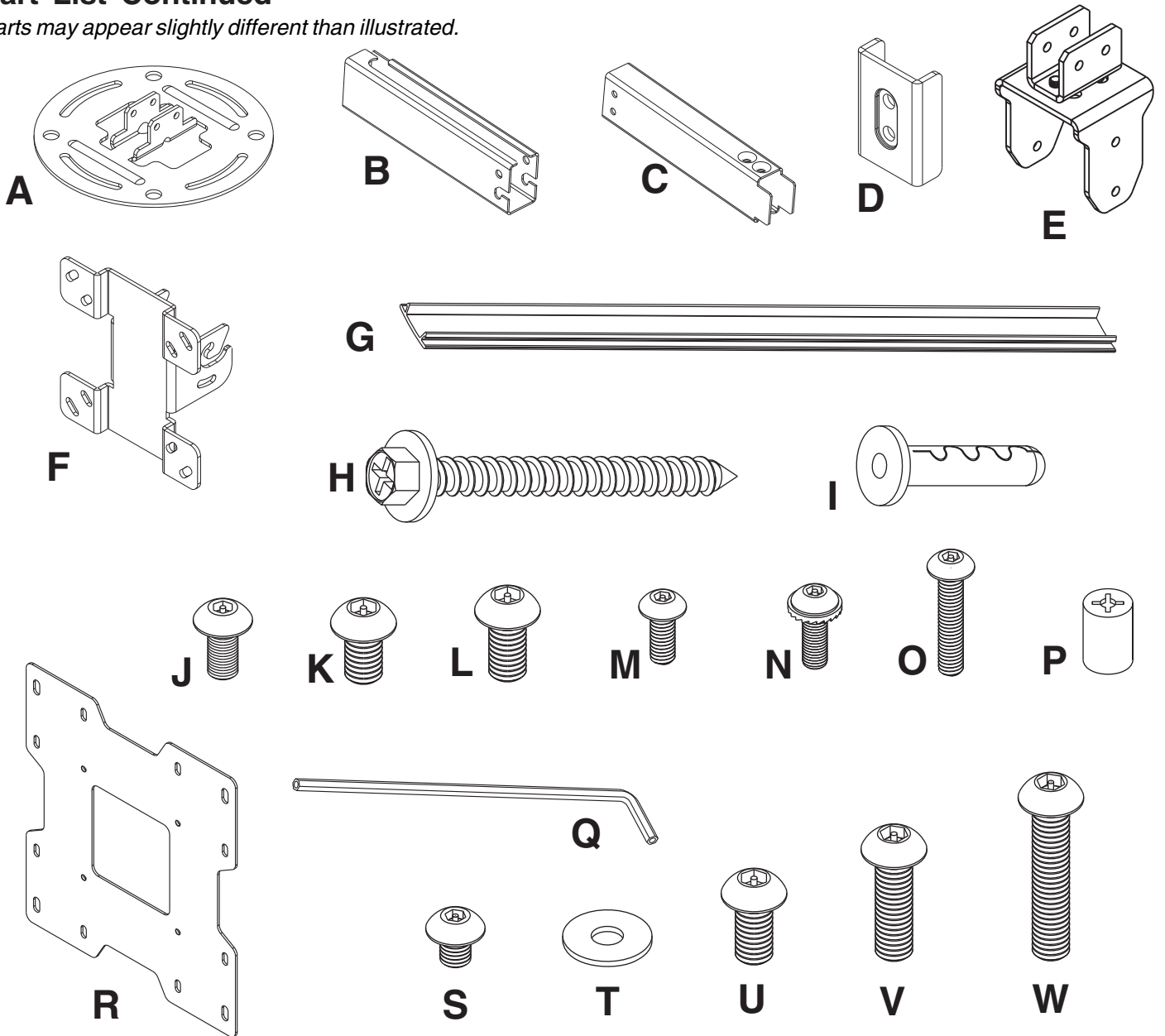
Parts may appear slightly different than illustrated.

OUTER CHANNEL, INNER CHANNEL AND CABLE COVER PART NUMBER CHART

Model#	extendable length	outer channel (B) part #	inner channel (C) part #	cable cover (G) part #
PC930A, PC932A	9.8" - 13.9"	055-1779	055-1778	055-1772-2
PC930A-S, PC932A-S	9.8" - 13.9"	055-4779	055-4778	055-4772-2
PC930A-W, PC932A-W	9.8" - 13.9"	055-2779	055-2778	055-2772-2
PC930B, PC932B	13.78" - 21.89"	055-1776	055-1775	055-1772-1
PC930B-S, PC932B-S	13.78" - 21.89"	055-4776	055-4775	055-4772-1
PC930B-W, PC932B-W	13.78" - 21.89"	055-2776	055-2775	055-2772-1
PC930C, PC932C	20.24" - 34.02"	055-1770	055-1769	055-1772
PC930C-S, PC932C-S	20.24" - 34.02"	055-4770	055-4769	055-4772
PC930C-W, PC932C-W	20.24" - 34.02"	055-2770	055-2769	055-2772

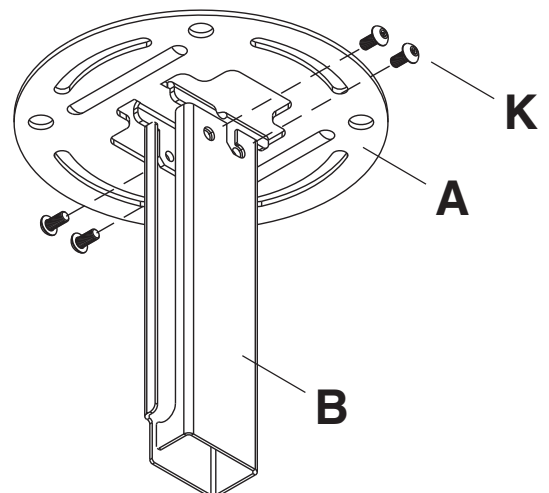
Part List Continued

Parts may appear slightly different than illustrated.



Install Outer Channel to Ceiling Plate

- 1 Attach outer channel (B) to ceiling plate (A) using four M6 x 10 mm socket pin screws (K) as shown.



Installation to Wood Joist Ceilings

⚠ WARNING

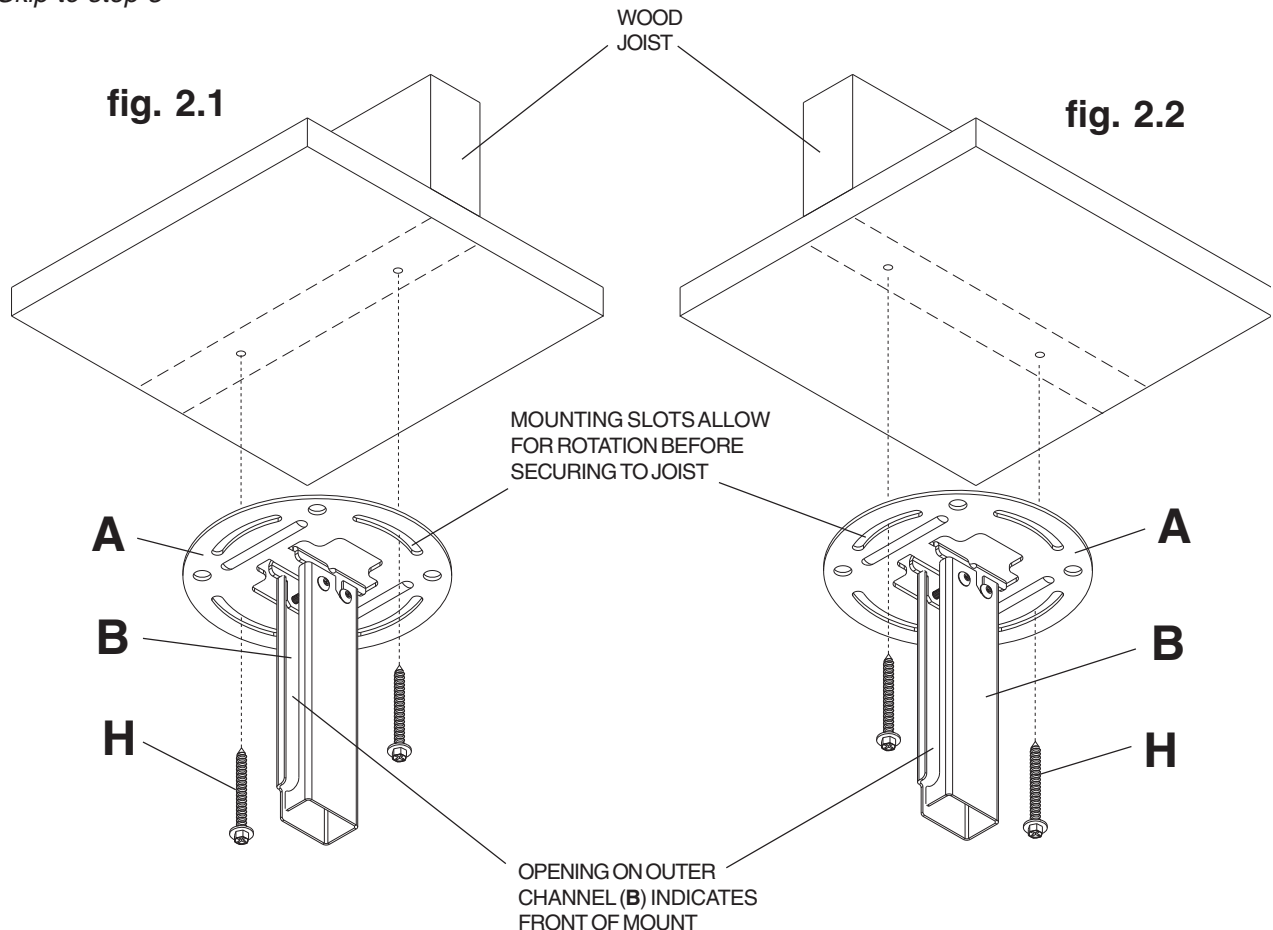
- Installer must verify that the supporting surface will safely support the combined load of the equipment and all attached hardware and components.
- Tighten wood screws so that ceiling plate is firmly attached, but do not overtighten. Overtightening can damage the screws, greatly reducing their holding power.
- Never tighten in excess of 80 in. • lb (9 N.M.).
- Make sure that mounting screws are anchored into the center of the stud or joist. The use of an "edge to edge" stud finder is highly recommended.
- Hardware provided is for attachment of mount through standard thickness drywall or plaster into wood studs or joists. Installers are responsible to provide hardware for other types of mounting situations (not UL approved).

2 Use a stud finder to locate the edges of the joist. Use of an edge-to-edge stud finder is highly recommended. Based on its edges, draw a vertical line down the joist's center. Place ceiling plate (A) on ceiling as a template, making sure that the two mounting slots are on the stud centerline.

Note: Opening on outer channel (B) indicates front of mount. Use the correct mounting slots on the ceiling plate depending on ceiling joist orientation as shown in figure 2.1 or figure 2.2. Mounting slots on ceiling plate allow for 45° (± 22.5) of swivel adjustment before securing to joist.

Mark the center of the two mounting holes depending on joist orientation as shown in figure 1.1 or figure 1.2. Drill two 5/32" (4 mm) dia. holes 2-1/2" (65 mm) deep. Secure ceiling plate (A) to wood joist using two #14 x 2-1/2" wood screws (H) as shown.

Skip to step 3



Installation to Concrete Ceilings

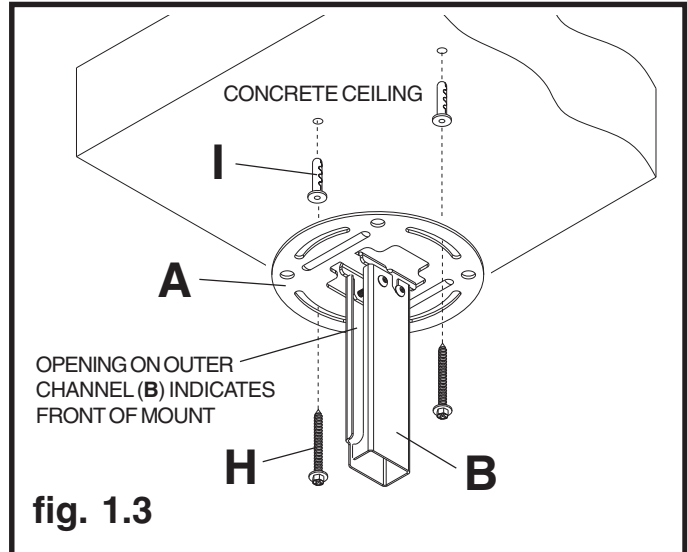
⚠ WARNING

- Concrete must be 2000 psi density minimum. Lighter density concrete may not hold concrete anchor.
- Make sure that the supporting surface will safely support the combined load of the equipment and all attached hardware and components.

2 Place ceiling plate (A) on ceiling as a template and mark the center of the two mounting holes.

Note: Opening in outer channel indicates the front of the mount.

Drill two 1/4" (6 mm) dia. holes to a minimum depth of 2.5" (64 mm). Attach ceiling plate (A) using two concrete anchors (I) and two #14 x 2.5" wood screws (H) as shown in figure 1.3 and figure 1.4. Tighten wood screws (H) until ceiling plate (A) is firmly attached.



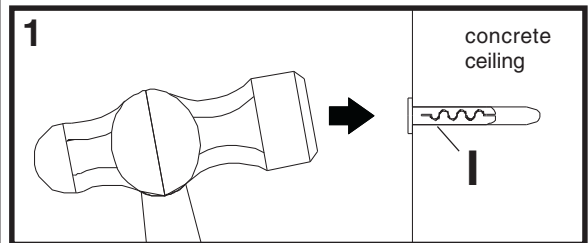
⚠ WARNING

- Tighten wood screws firmly, but do not overtighten. Overtightening can damage the screws, greatly reducing their holding power.
- Never tighten in excess of 80 in • lb (9 N.M.).

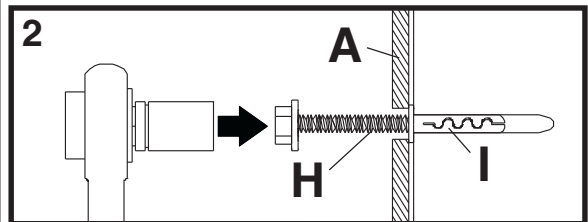
⚠ WARNING

- Always attach concrete expansion anchors directly to load-bearing concrete.
- Never attach concrete expansion anchors to concrete covered with plaster, drywall, or other finishing material. If mounting to concrete surfaces covered with a finishing surface is unavoidable, the finishing surface must be counterbored as shown below. Be sure concrete anchors do not pull away from concrete when tightening screws. If plaster/drywall is thicker than 5/8" (16 mm), custom fasteners must be supplied by installer.

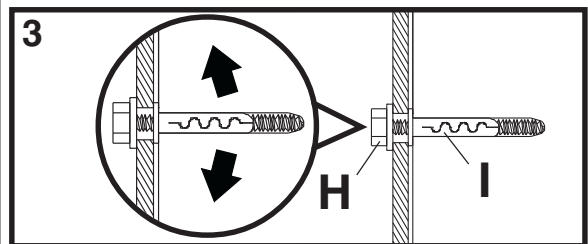
fig. 1.4



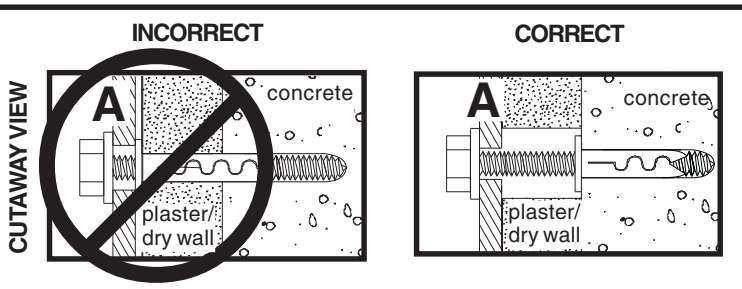
Drill holes and insert anchors (I).



Place mount (A) over anchors (I) and secure with screws (H).



Tighten all fasteners.



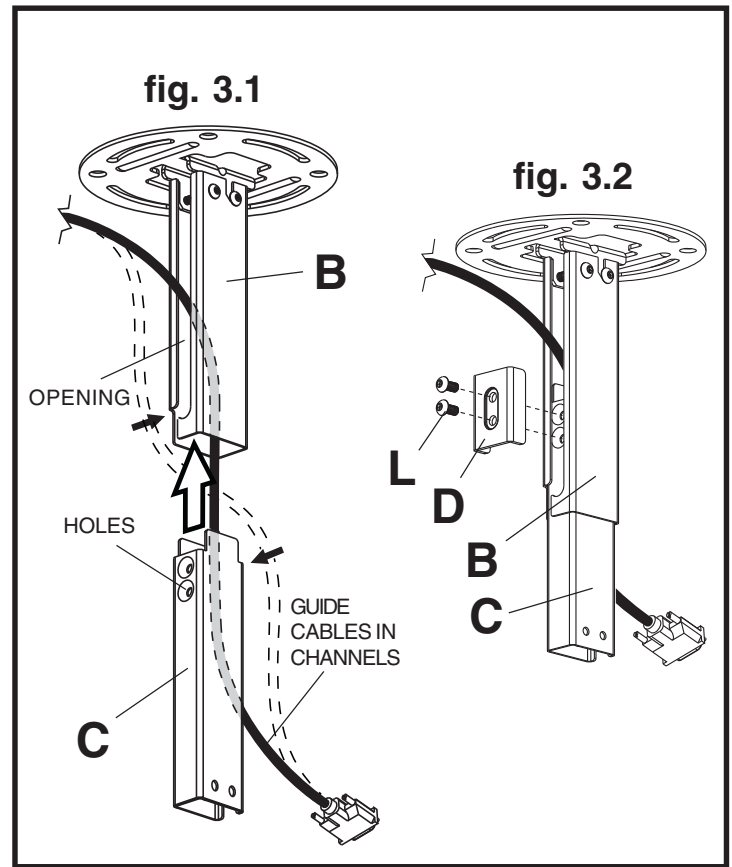
Installing Inner Channel and Routing Cables

- 3** **Note:** Be certain holes on inner channel (C) face in the same direction of opening on outer channel (B).

Note: Cables must be removed from screen before routing through channels. If cables are not removable from screen, routing through channels is not an option.

Guide screen cables into openings in channels then insert inner channel (C) into outer channel (B) as shown in figure 3.1.

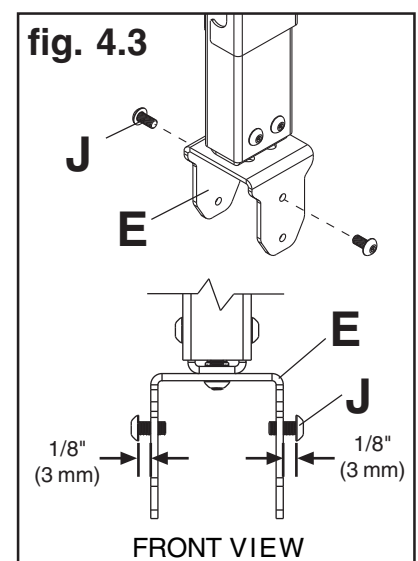
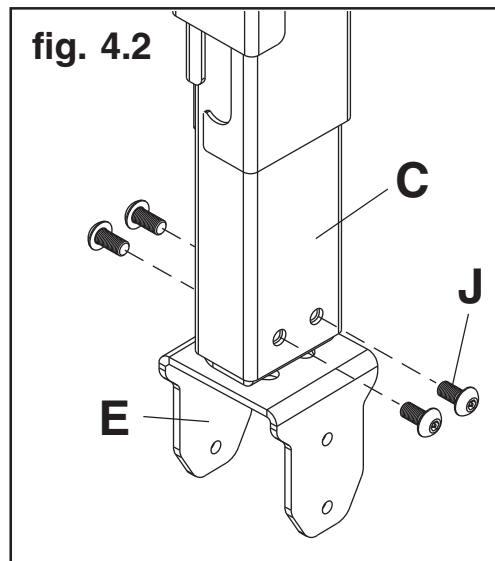
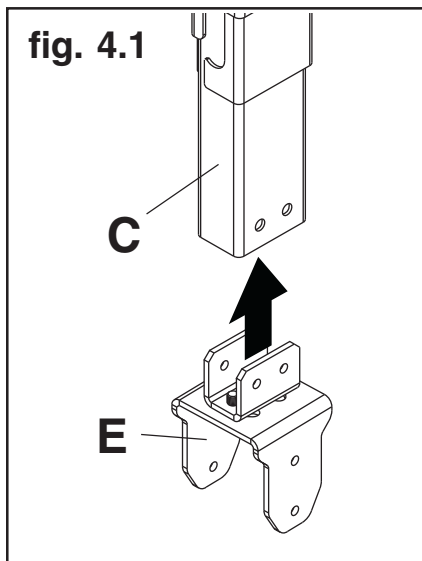
Position inner channel (C) to the desired height and secure using two M6 x 12 mm socket pin screws (L) through clamp plate (D), through opening in outer channel (B) and into inner channel (C) as shown in figure 3.2.



- 4** Insert swivel/pivot bracket (E) into end of inner channel (C) and secure with four M5 x 10 mm socket pin screws (J) as shown in figure 4.1 and figure 4.2.

Thread two M5 x 10 mm screws (J) into top holes of swivel/pivot bracket (E), leaving 1/8" (3 mm) exposed thread between head of screw and swivel/pivot bracket as shown in figure 4.3.

CABLES NOT SHOWN FOR CLARITY



Attaching Mounting Plate to Screen with VESA 75 or 100 Mounting Pattern

Note: For VESA 200 x 100 mm and 200 x 200 mm hole patterns, skip to step 6.

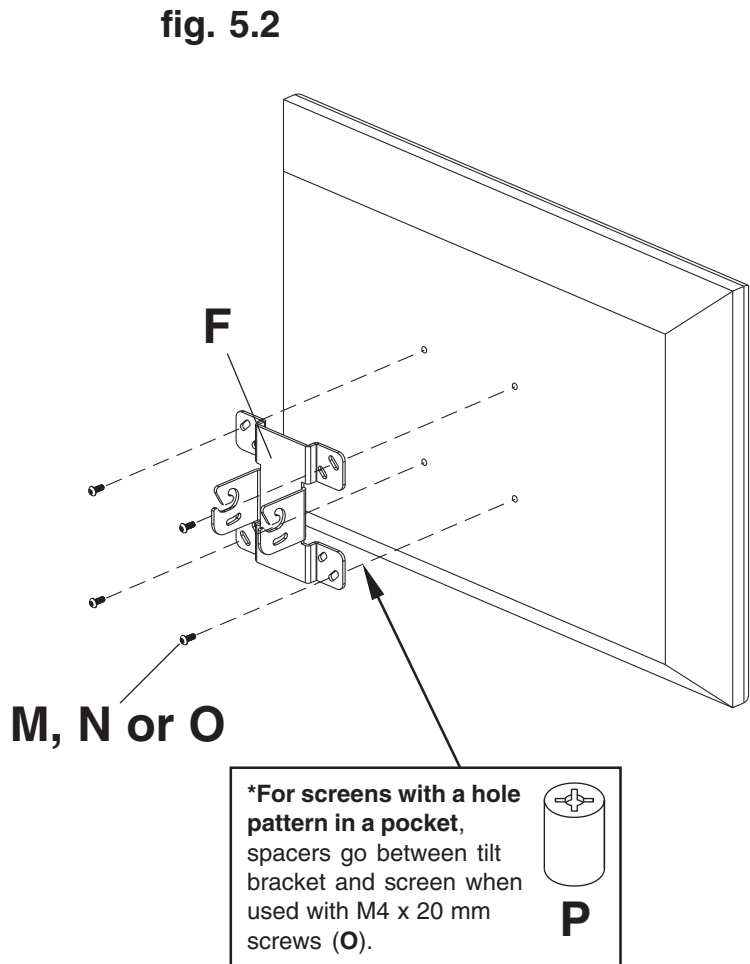
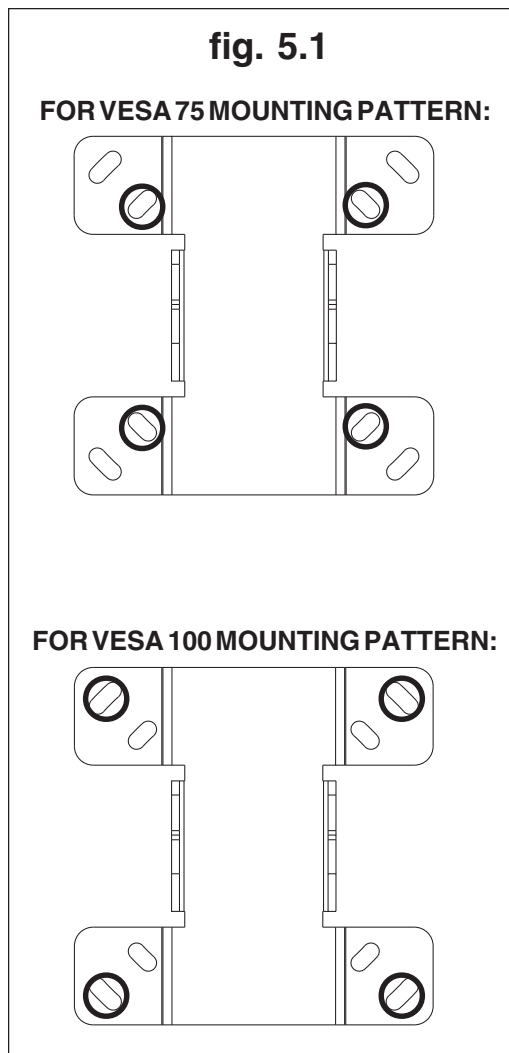
⚠ WARNING

- If screws don't get three complete turns in the screen inserts or if screws bottom out and bracket is still not tightly secured, damage may occur to screen or product may fail.

5 Choose hole pattern as shown in figure 5.1 which matches hole pattern on back of your screen. Attach tilt bracket (**F**) to back of screen using four M4 x 10 mm screws (**M**) or M4 x 12 mm screws (**N**) as shown in figure 5.2.

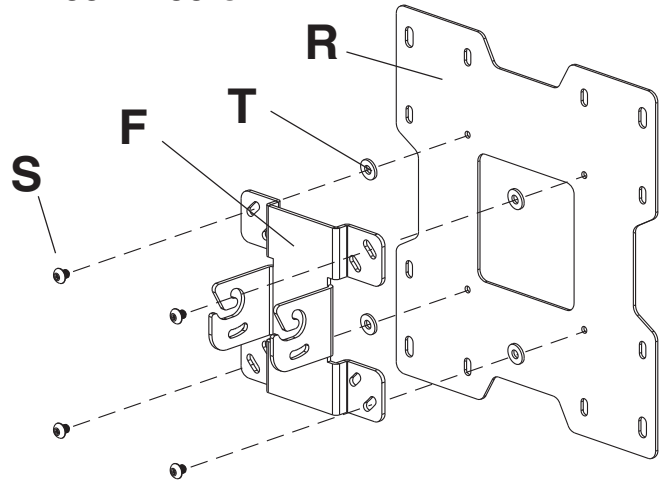
***Note:** If hole pattern is in a pocket, attach tilt bracket (**F**) to back of screen using four M4 x 20 mm screws (**O**) and four retaining spacers (**P**) as indicated in figure 5.2.

Skip to step 7



Attaching Adapter Plate to Screen with VESA 200 x 100 or 200 x 200 Mounting Pattern

- 6** Attach tilt bracket (F) to adapter plate (R) using four M5 x 6 mm screws (S) and four #10 washers (T) as shown.



⚠ WARNING

- If screws don't get three complete turns in the screen inserts or if screws bottom out and adapter plate is still not tightly secured, damage may occur to screen or product may fail.

FOR VESA 200 x 100 MOUNTING PATTERN:

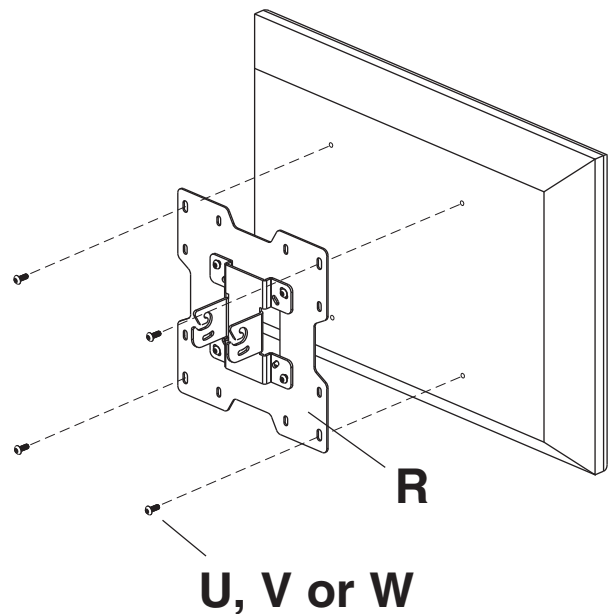
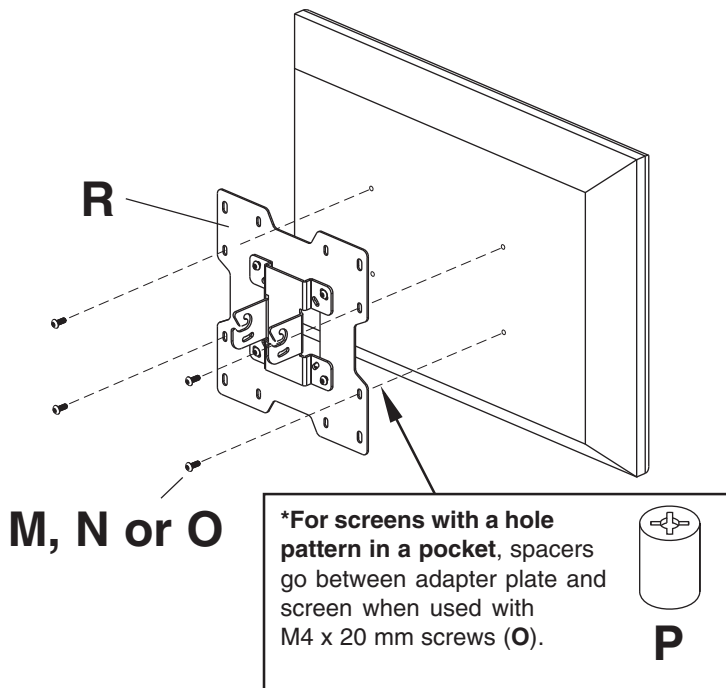
- 6-1** Choose hole pattern as shown below. Attach adapter plate (R) to back of screen using four M4 x 10 mm screws (M) or M4 x 12 mm screws (N) as shown below.

***Note:** If screw (M or N) gets less than three threads of engagement, attach adapter plate (R) to back of screen using four M4 x 20 mm screws (O) and four spacers (P) as indicated below.

FOR VESA 200 x 200 MOUNTING PATTERN:

- Choose hole pattern as shown below. Attach adapter plate (R) to back of screen using four M6 x 12 mm screws (U) as shown below.

***Note:** If screw (U) gets less than three threads of engagement, attach adapter plate (R) to back of screen using four M6 x 20 mm screws (V). If screw (V) gets less than three threads of engagement, use four M6 x 30 mm screws (W).

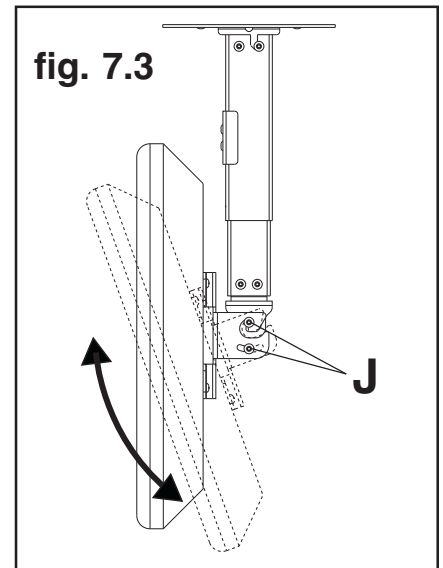
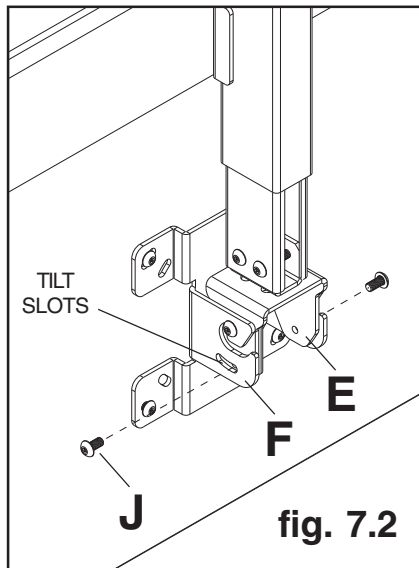
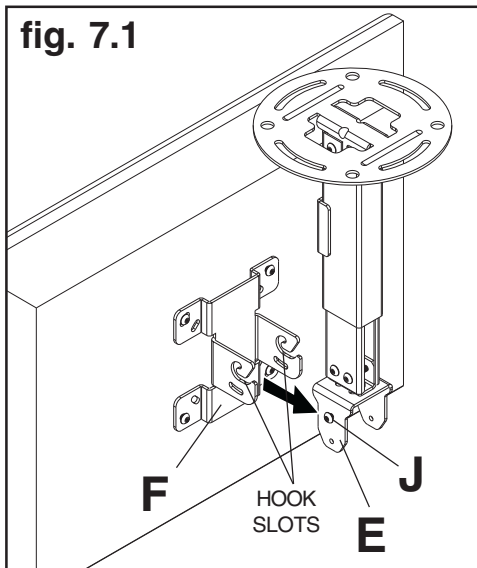


Attaching Screen

- 7** Guide hook slots of tilt bracket (F) onto M5 x 10 mm screws (J) in swivel/pivot bracket (E) as shown in figure 7.1. Thread two M5 x 10 mm screws (J) through tilt slot of tilt bracket (F) into swivel/pivot bracket (E) as shown in figure 7.2. Do not fully tighten screws to allow for tilt adjustments. Tilt slot allows for incremental tilts of 5°. Adjust tilt of screen and fully tighten all four M5 x 10 mm screws (J) as shown in figure 7.3.

⚠ WARNING

- Do not lift more weight than you can handle. Use additional man power or mechanical lifting equipment to safely handle placement of the screen.

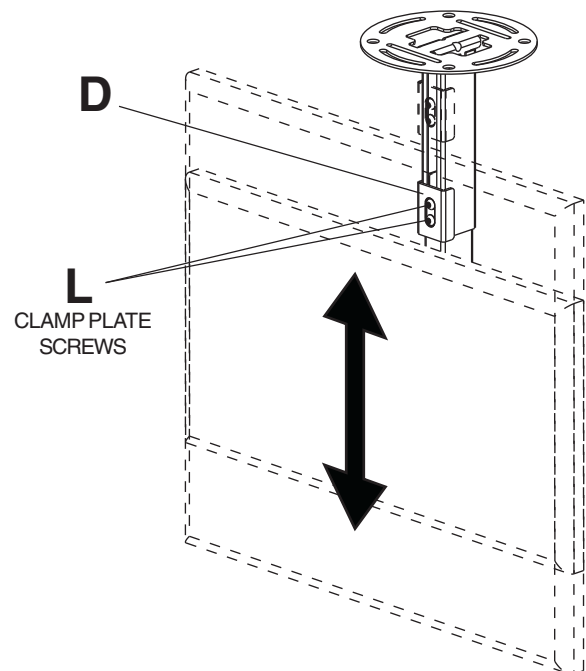


Adjusting Mount Extension

- 8** While supporting the weight of the screen, loosen screws (L) on clamp plate (D) half a turn and position screen to the desired height. Retighten clamp plate screws securely.

⚠ WARNING

- Clamp plate adjustment screws support weight of screen when fully tightened. Weight of the screen will need to be supported if clamp plate screws are loosened.

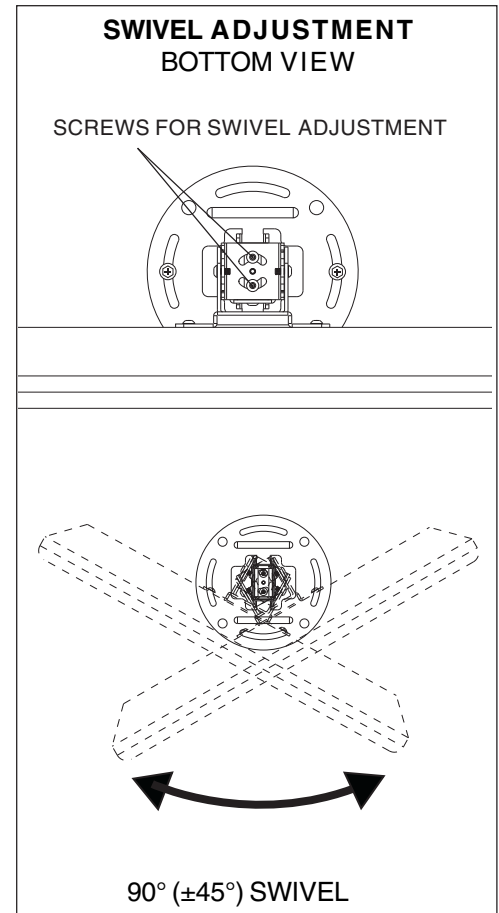
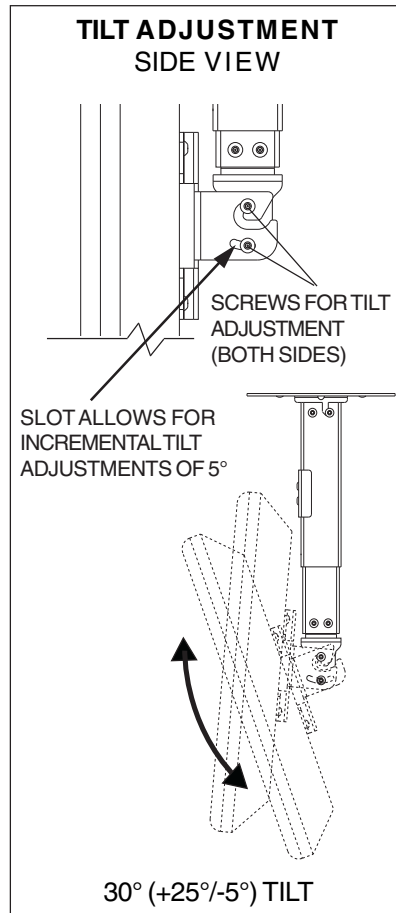
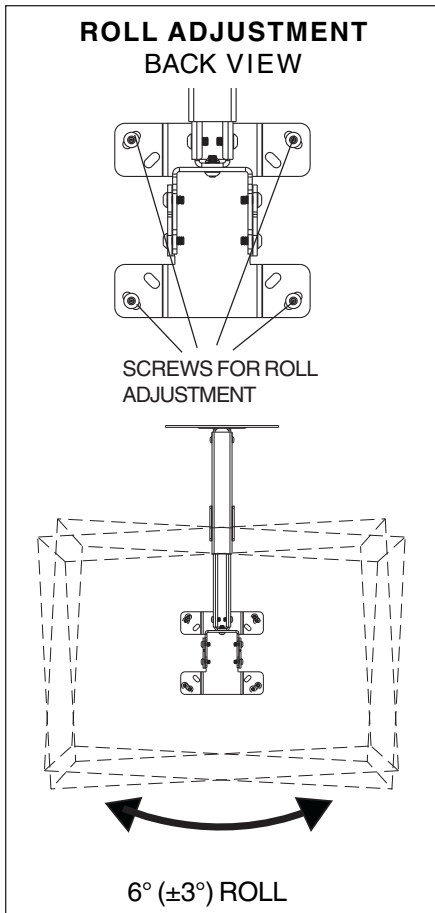


Adjusting Screen

- 9** If screws indicated are fully tightened, loosen screws half a turn to allow for adjusting tilt, swivel and roll. Adjust screen to the desired position and fully tighten screws.

⚠ WARNING

- Do not loosen adjustment screws to the point they become disengaged from the mount. Weight of the screen should be supported in case of accidental disengagement.



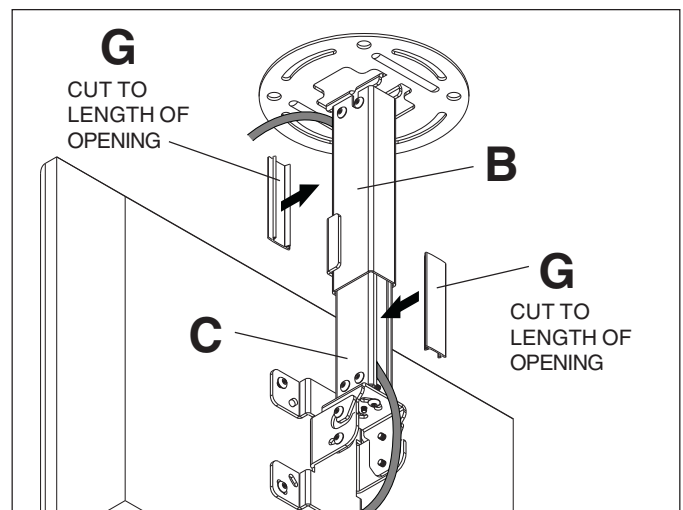
Install Cable Covers

- 10** **Note:** Be certain mount is in the desired extended position.

Attach cables to screen if routed through channels.

Cut cable covers (**G**) to the length of inner channel (**C**) and outer channel (**B**) openings, leaving space for cables if routed through channels. Snap cable covers into openings as shown.

Cables not routed through channels will require cable ties (not included).



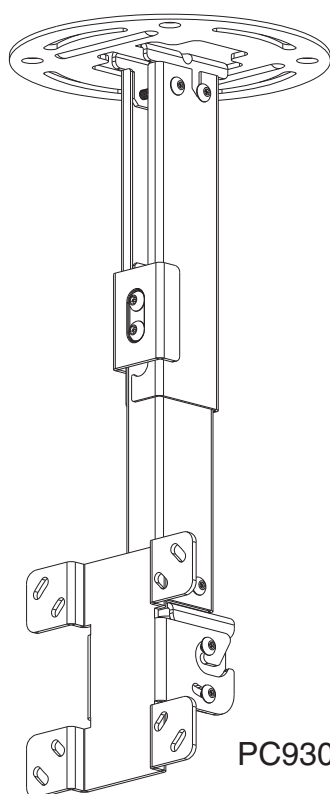
PARAMOUNT TM by Peerless

Instalación y ensamblaje: Soporte de techo ParamountTM para pantallas LCD

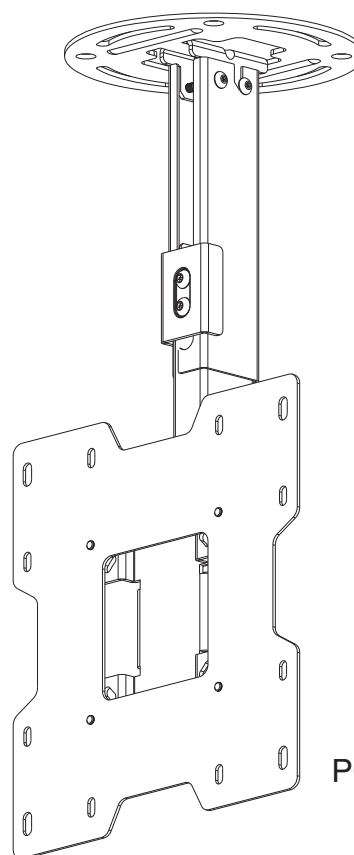
Modelos	Gama de tamaño de las pantallas	Capacidad de carga máxima de UL
PC930A, PC930A-S, PC930A-W, PC930B, PC930B-S, PC930B-W, PC930C, PC930C-S, PC930C-W	de 15" a 24"	50 lb (22.7 kg)
PC932A, PC932A-S, PC932A-W, PC932B, PC932B-S, PC932B-W, PC932C, PC932C-S, PC932C-W	de 15" a 37"	80 lb (36.3 kg)



Este producto debe ser utilizado con productos que lleven la marca UL (Underwrites Laboratory) y tiene que ser instalado por un instalador profesional calificado.



PC930 Serie



PC932 Serie

Características:

- Compatible con VESA® 75 / 100 / 200 x 100 / 200 x 200 (a base del modelo)
- Tres longitudes de extensión ajustable
PC930A/PC932A modelos - 9.8" - 13.9"
PC930B/ PC932B modelos - 13.78" - 21.89"
PC930C/ PC932C modelos - 20.24" - 34.02"
- Inclinación ajustable de +25/-5°
- 360° de ajuste al instalar
- Manejo de cables interno
- Dispositivo asegurador de diseño integrado a los rieles de extensión para garantizar la seguridad del usuario y del equipo

Nota: Lea la hoja de instrucciones completa antes de comenzar la instalación y el ensamblaje.

⚠ ADVERTENCIA

- No comience a instalar el producto hasta haber leído y entendido las instrucciones y las advertencias contenidas en la Hoja de Instalación. Si tiene alguna pregunta acerca de cualquiera de las instrucciones o las advertencias, por favor, llame a Servicio al Cliente al 1-800-865-2112.
- Este producto sólo debe ser instalado por una persona que tenga una buena aptitud mecánica, que tenga experiencia en construcción básica de edificios y que entienda estas instrucciones en su totalidad.
- Asegúrese de que la superficie de apoyo sostendrá, con seguridad, la carga combinada del equipo y todos los fijadores y componentes.
- Nunca sobrepase la capacidad máxima de soportar carga aceptada por Underwriters Laboratories. Vea la página 12.
- Si va a instalar el producto en un techo con vigas de madera, asegúrese de que los tornillos de montaje estén anclados en el centro de las vigas. Se recomienda utilizar un localizador de montantes de "borde a borde".
- Siempre cuente con la ayuda de un asistente o utilice un equipo mecánico de izar para levantar y colocar el equipo con más seguridad.
- Apriete los tornillos con firmeza, pero no en exceso. Apretarlos en exceso puede dañar los artículos y puede disminuir significativamente su fuerza de fijación.
- Este producto está diseñado para uso en interiores solamente. Utilizar este producto en exteriores podría causar fallas del producto y lesiones a individuos.
- Este producto fue diseñado con la intención de que se instale en las superficies de apoyo marcadas abajo con los accesorios de instalación incluidos en este producto como se especifica en la hoja de instalación. Para instalar este producto en otra superficie de apoyo, llame a Servicio al Cliente al 1-800-865-2112.
- Este producto fue diseñado para ser instalado en techos con la siguiente construcción solamente:

CONSTRUCCIÓN DEL TECHO

- Montante de madera
- Viga de madera
- Concreto macizo
- Bloque de hormigón de escorias
- Montante de metal

- Ladrillo
- ¿Otra superficie o no está seguro?

ACCESORIOS ADICIONALES NECESARIOS

- Ninguno
- Ninguno
- Ninguno
- Ninguno
- No lo instale excepto con el juego de accesorios de Peerless para montantes de metal.
Llame a Servicio al Cliente para pedir el juego de accesorios de Peerless para montantes de metal.
- Comuníquese con Servicio al Cliente.
- Comuníquese con Servicio al Cliente.

Herramientas necesarias para el ensamblaje

- localizador de montantes (se recomienda uno de "borde a borde")
- taladro
- nivel
- broca de 1/4" para concreto
- broca de 5/32" para vigas de madera
- destornillador phillips

Tabla de contenido

Lista de piezas	14, 15
Instalación del riel exterior en la placa de techo	15
Instalación en vigas de madera	16
Instalación en techos de concreto	17
Instalación del riel interior y colocación de los cables	18
Fijación de la placa de montaje a pantallas con configuraciones de montaje VESA® 75 ó 100	19
Fijación de la placa adaptadora a pantallas con configuraciones de montaje VESA® 200 x 100 ó 200 x 200	20
Instalación de la pantalla plana	21
Ajuste de la extensión del soporte	21
Ajuste de la pantalla	22
Instalación de las cubiertas de los cables	22

Antes de comenzar, asegúrese de que su producto contiene todas las piezas que se muestran.

Lista de piezas	Cant.	PC930A,	PC930A-S,	PC930A-W,	PC932A,	PC932A-S,	PC932A-W,
		PC930B, PC930C	PC930B-S, PC930C-S	PC930B-W, PC930C-W	PC932B, PC932C	PC932B-S, PC932C-S	PC932B-W, PC932C-W
Descripción		N.o de pieza	N.o de pieza	N.o de pieza	N.o de pieza	N.o de pieza	N.o de pieza
A placa de techo	1	055-1773	055-4773	055-2773	055-1773	055-4773	055-2773
B riel exterior	1	Ve a la tabla	Ve a la tabla	Ve a la tabla	Ve a la tabla	Ve a la tabla	Ve a la tabla
C riel interior	1	Ve a la tabla	Ve a la tabla	Ve a la tabla	Ve a la tabla	Ve a la tabla	Ve a la tabla
D placa abrazadera	1	055-1771	055-4771	055-2771	055-1771	055-4771	055-2771
E soporte giratorio / rotatorio	1	055-1811	055-4811	055-2811	055-1811	055-4811	055-2811
F soporte inclinable	1	095-1484	095-4484	095-2484	095-1484	095-4484	095-2484
G cubierta para los cables	2	Ve a la tabla	Ve a la tabla	Ve a la tabla	Ve a la tabla	Ve a la tabla	Ve a la tabla
H tornillo para madera de 14 x 2.5"	2	5S1-015-C03	5S1-015-C04	5S1-015-C04	5S1-015-C03	5S1-015-C04	5S1-015-C04
I Anclaje para concreto alligator®	2	590-0097	590-0097	590-0097	590-0097	590-0097	590-0097
J tornillo pasador de cabeza hueca de M5 x 10 mm	8	520-1063	520-2063	520-2063	520-1063	520-2063	520-2063
K tornillo pasador de cabeza hueca de M6 x 10 mm	4	520-1066	520-2066	520-2066	520-1066	520-2066	520-2066
L tornillo pasador de cabeza hueca de M6 x 12 mm	2	520-1050	520-2050	520-2050	520-1050	520-2050	520-2050
M tornillo pasador de cabeza hueca de M4 x 10 mm	4	520-1060	520-2060	520-2060	520-1060	520-2060	520-2060
N tornillo pasador de cabeza hueca con arandela dentada de M4 x 12 mm	4	510-1079	510-2079	510-2079	510-1079	510-2079	510-2079
O tornillo pasador de cabeza hueca de M4 x 20 mm	4	520-1061	520-2163	520-2163	520-1061	520-2163	520-2163
P espaciador de retención	4	590-5005	590-5005	590-5005	590-5005	590-5005	590-5005
Q llave allen de seguridad de 4 mm	1	560-9646	560-9646	560-9646	560-9646	560-9646	560-9646
R placa adaptadora	1	N/A	N/A	N/A	095-1322	095-4322	095-2322
S tornillo pasador de cabeza hueca de M5 x 6 mm	4	N/A	N/A	N/A	520-1114	520-2062	520-2062
T arandela plana N.º 10	4	N/A	N/A	N/A	540-9400	540-9442	540-9442
U tornillo pasador de cabeza hueca de M6 x 12 mm	4	N/A	N/A	N/A	520-1050	520-2050	520-2050
V tornillo pasador de cabeza hueca de M6 x 20 mm	4	N/A	N/A	N/A	520-9554	520-2554	520-2554
W tornillo pasador de cabeza hueca de M6 x 30 mm	4	N/A	N/A	N/A	520-1067	520-2067	520-2067

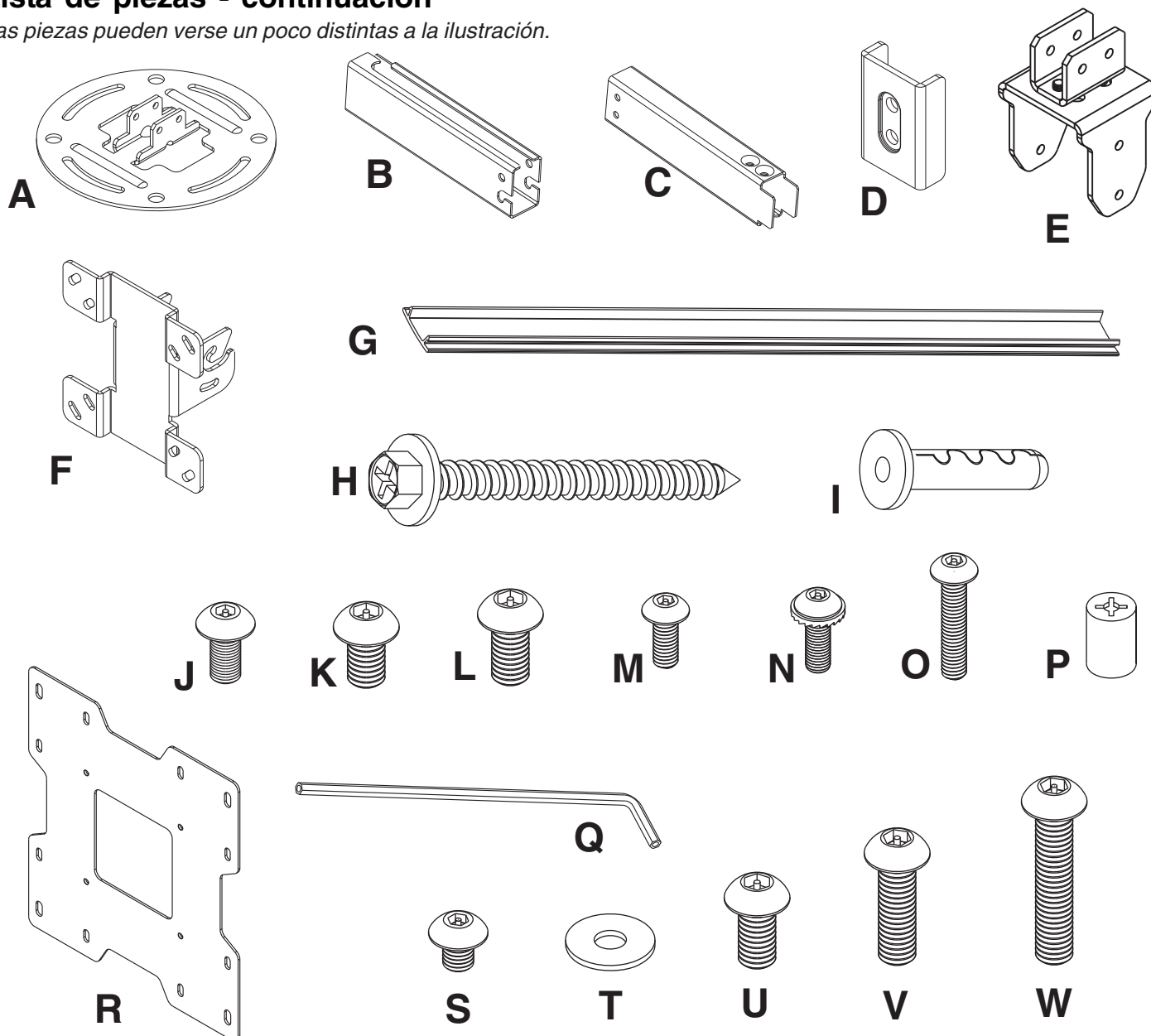
Las piezas pueden verse un poco distintas a la ilustración.

TABLA DE NÚMEROS DE PIEZA DEL RIEL EXTERIOR, EL RIEL INTERIOR Y LA CUBIERTA PARA LOS CABLES

N.o de modelo	Longitud alargable	N.o de pieza del riel exterior (B)	N.o de pieza del riel interior (C)	N.o de pieza de la cubierta para los cables
PC930A, PC932A	9.8" - 13.9"	055-1779	055-1778	055-1772-2
PC930A-S, PC932A-S	9.8" - 13.9"	055-4779	055-4778	055-4772-2
PC930A-W, PC932A-W	9.8" - 13.9"	055-2779	055-2778	055-2772-2
PC930B, PC932B	13.78" - 21.89"	055-1776	055-1775	055-1772-1
PC930B-S, PC932B-S	13.78" - 21.89"	055-4776	055-4775	055-4772-1
PC930B-W, PC932B-W	13.78" - 21.89"	055-2776	055-2775	055-2772-1
PC930C, PC932C	20.24" - 34.02"	055-1770	055-1769	055-1772
PC930C-S, PC932C-S	20.24" - 34.02"	055-4770	055-4769	055-4772
PC930C-W, PC932C-W	20.24" - 34.02"	055-2770	055-2769	055-2772

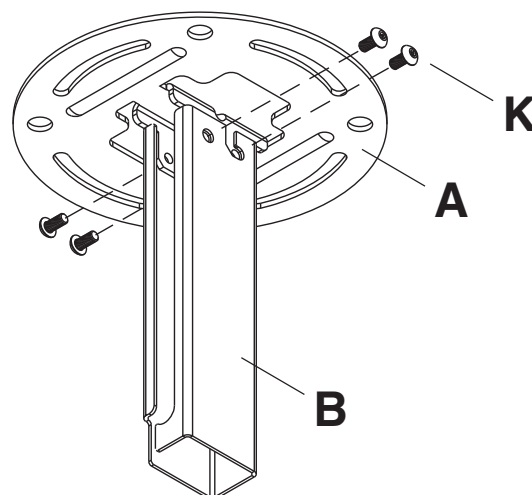
Lista de piezas - continuación

Las piezas pueden verse un poco distintas a la ilustración.



Instalación del riel exterior a la placa de techo

- 1 Fije el riel exterior (B) a la placa de techo (A) usando cuatro tornillos pasadores de cabeza hueca de M6 x 10 mm (K), como se muestra.



Instalación en paredes con vigas de madera

⚠ ADVERTENCIA

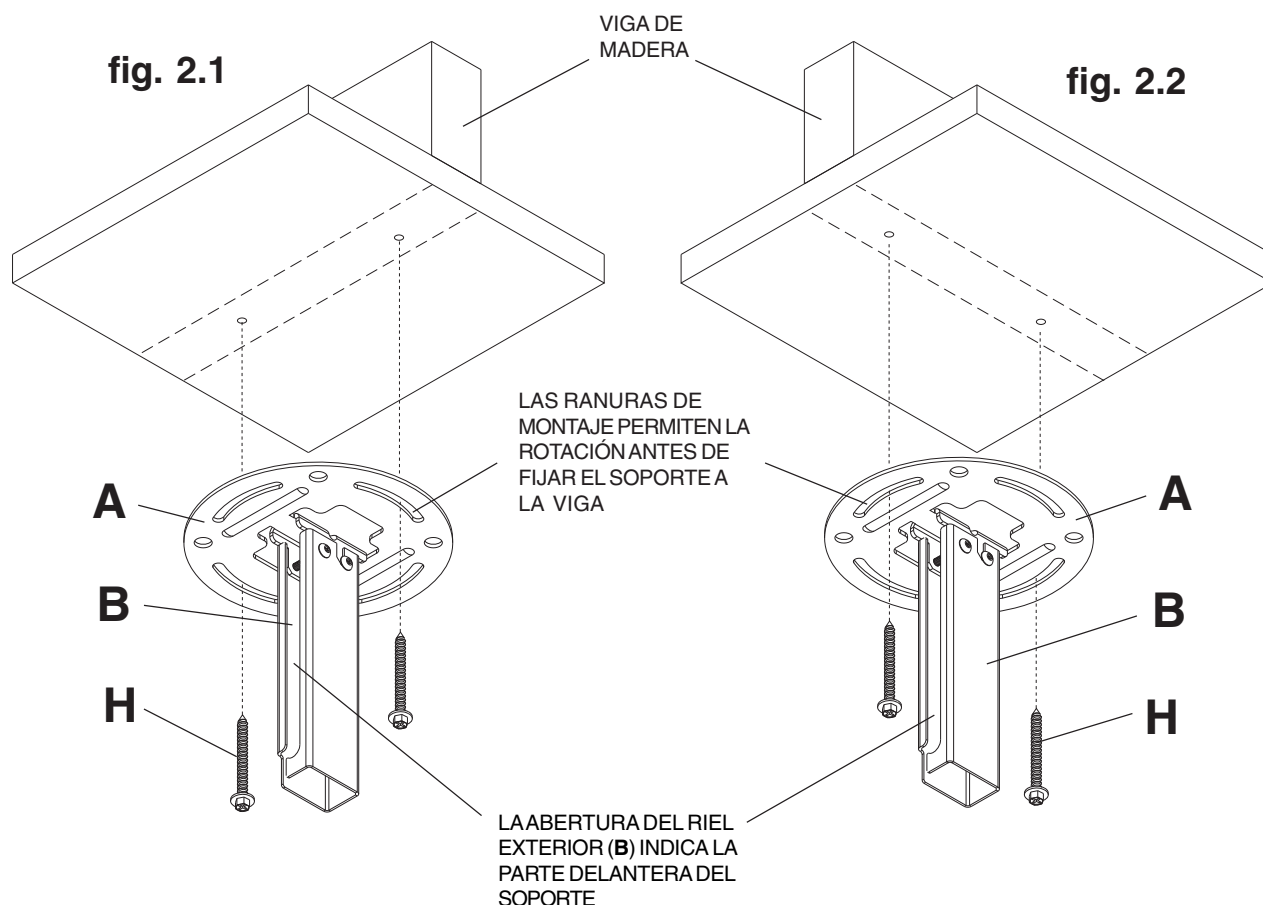
- El instalador tiene que asegurarse de que la superficie de apoyo sostendrá, con seguridad, la carga combinada del equipo y todos los fijadores y componentes.
- Apriete los tornillos de madera de manera que la placa de techo se fije firmemente, pero no en exceso. Apretarlos en exceso puede dañar los tornillos y puede disminuir significativamente su fuerza de fijación.
- Nunca apriete a más de 80 pulg-lb (9 N•m).
- Asegúrese de que los tornillos de montaje estén anclados en el centro del montante o de la viga. Se recomienda utilizar un localizador de montantes de “borde a borde”.
- Los accesorios para la instalación que se proveen son para fijar el soporte a montantes de madera o vigas de madera a través del yeso-cartón o yeso de grosor estándar. Los instaladores son responsables de suministrar los accesorios necesarios para otros tipos de instalaciones (no aprobadas por UL).

2 Utilice un localizador de montantes para localizar los bordes de las vigas. Se recomienda utilizar un localizador de montantes de “borde a borde”. Tomando los bordes como punto de referencia, trace una línea vertical por el centro de la viga. Coloque la placa de techo (**A**) en el techo para utilizarla como plantilla; asegúrese de que las dos ranuras de montaje estén sobre la línea que trazó por el centro.

Nota: La abertura del riel exterior (**B**) indica la parte delantera del soporte. Utilice las ranuras de montaje apropiadas de la placa de techo, según la orientación de la viga, como se muestra en la figura 2.1 o en la figura 2.2. Las ranuras de montaje de la placa de techo permiten una rotación de 45° (± 22.5) antes de fijar el soporte a la viga.

Marque el centro de los dos agujeros de montaje según la orientación de la viga, como se muestra en la figura 1.1 o en la figura 1.2. Taladre dos agujeros de 5/32" (4 mm) de diámetro y 2-1/2" (65 mm) de profundidad. Fije la placa de techo (**A**) a la viga de madera usando dos tornillos para madera de 14 x 2-1/2" (**H**), como se muestra.

Pase al paso 3.



Instalación en techos de concreto

⚠ ADVERTENCIA

- El concreto tiene que tener una densidad mínima de 2,000 psi. Es posible que un concreto de menos densidad no sostenga el anclaje para concreto.
- Asegúrese de que la superficie de apoyo sostendrá, con seguridad, la carga combinada del equipo y todos los fijadores y componentes.

2 Coloque la placa de techo (A) contra el techo a manera de plantilla y marque el centro de los dos agujeros de montaje.

Nota: La abertura del riel exterior indica la parte delantera del soporte.

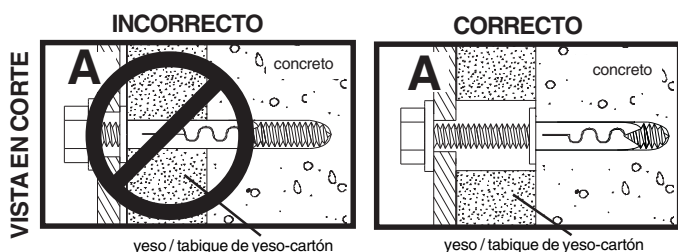
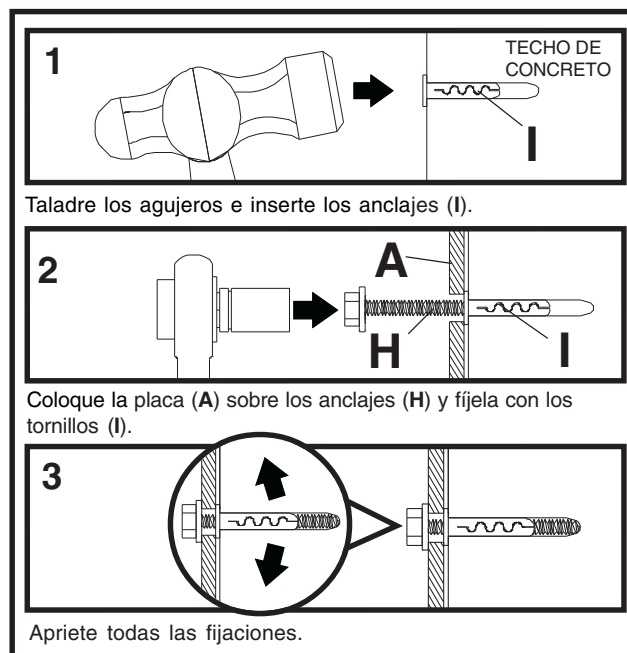
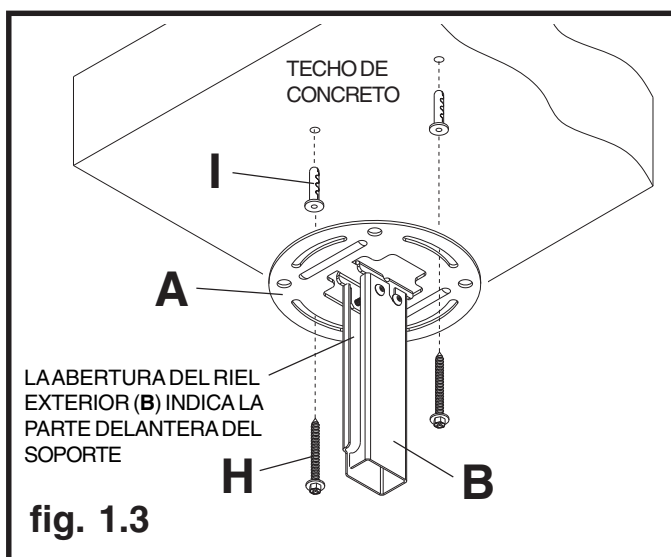
Taladre dos agujeros de 1/4" (6 mm) de diámetro a una profundidad mínima de 2.5" (64 mm). Fije la placa de techo (A) utilizando dos anclajes para concreto (I) y dos tornillos para madera de 14 x 2.5" (H), como se muestra en figura 1.3 y en la figura 1.4. Apriete los tornillos para madera (H) hasta que la placa de techo (A) se fije firmemente.

⚠ ADVERTENCIA

- Apriete los tornillos para madera con firmeza, pero no en exceso. Apretarlos en exceso puede dañar los tornillos y puede disminuir significativamente su fuerza de fijación.
- Nunca apriete a más de 80 pulg-lb (9 N•m).

⚠ ADVERTENCIA

- Siempre fije los anclajes para concreto directamente en la pared que sostiene la carga.
- Nunca fije los anclajes para concreto a una pared de concreto recubierta con yeso, tabique de yeso-cartón u otro material de acabado. Si es inevitable hacer la instalación en una superficie de concreto recubierta con una superficie de acabado, la superficie de acabado tiene que ser escurriada, como se muestra abajo. Asegúrese de que los anclajes para concreto no se separen del concreto cuando apriete los tornillos. Si el grosor de la capa de yeso o tabique de yeso-cartón tiene un grosor mayor de 5/8", el instalador tiene que suministrar las fijaciones especiales (no aprobado por UL).



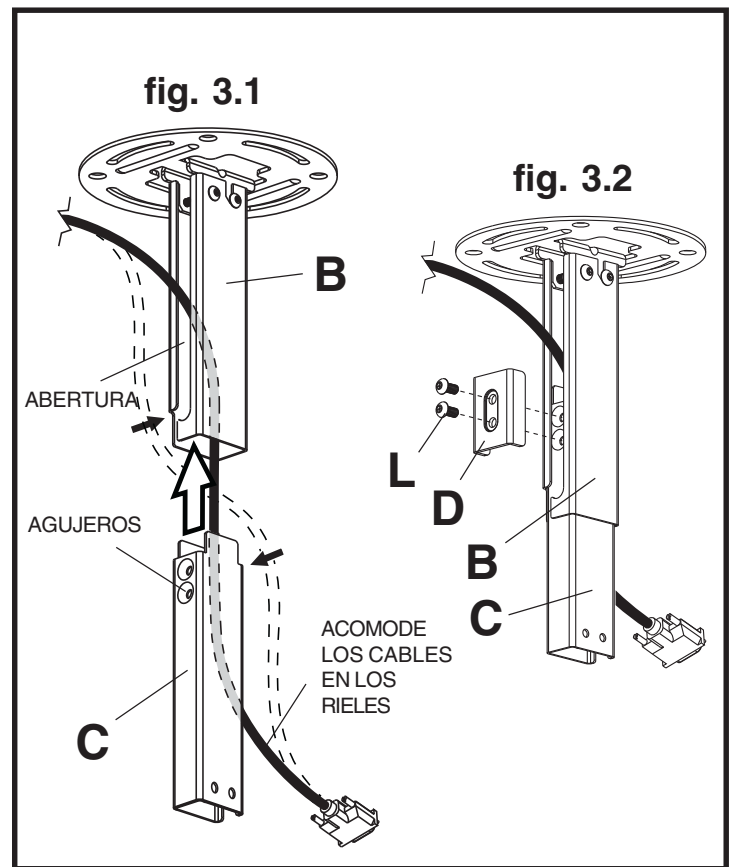
Instalación del riel interior y colocación de los cables

- 3** **Nota:** Asegúrese de que los agujeros del riel interior (C) se orienten en la misma dirección que la abertura del riel exterior (B).

Nota: Tiene que quitar los cables de la pantalla antes de acomodarlos en los rieles. Si los cables no se pueden quitar de la pantalla, no tiene la opción de acomodarlos en los rieles.

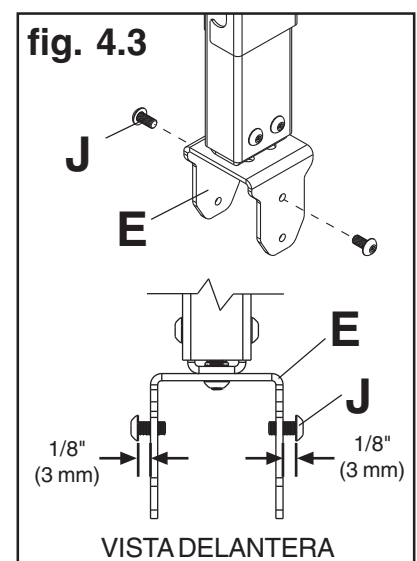
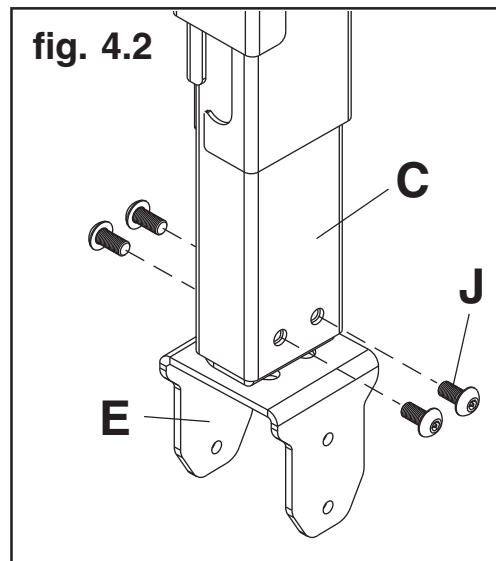
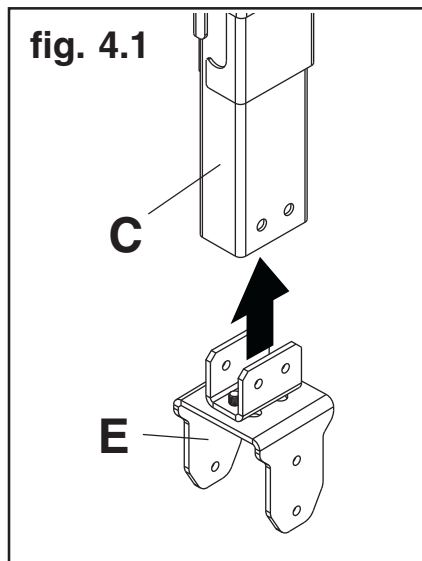
Acomode los cables de la pantalla en las aberturas de los rieles, luego inserte el riel interior (C) en el riel exterior (B), como se muestra en la figura 3.1.

Coloque el riel interior (C) a la altura deseada y fíjelo pasando dos tornillos pasadores de cabeza hueca de M6 x 12 mm (L) a través de la placa abrazadera (D), la abertura del riel exterior (B) y el riel interior (C), como se muestra en la figura 3.2.



- 4** Inserte el soporte giratorio / rotatorio (E) en el extremo del riel interior (C) y fíjelo con cuatro tornillos pasadores de cabeza hueca de M5 x 10 mm (J), como se muestra en la figura 4.1 y en la figura 4.2. Enrosque dos tornillos de M5 x 10 mm (J) en los agujeros superiores del soporte giratorio / rotatorio (E) y deje 1/8" (3 mm) de la rosca expuesto entre la cabeza del tornillo y el soporte giratorio / rotatorio, como se muestra en la figura 4.3.

LOS CABLES NO SE MUESTRAN POR RAZONES DE CLARIDAD



Fijación de la placa de montaje a pantallas con configuraciones de montaje VESA® 75 ó 100

Nota: En el caso de las configuraciones de montaje VESA® 200 x 100 y 200 x 200, pase al paso 6.

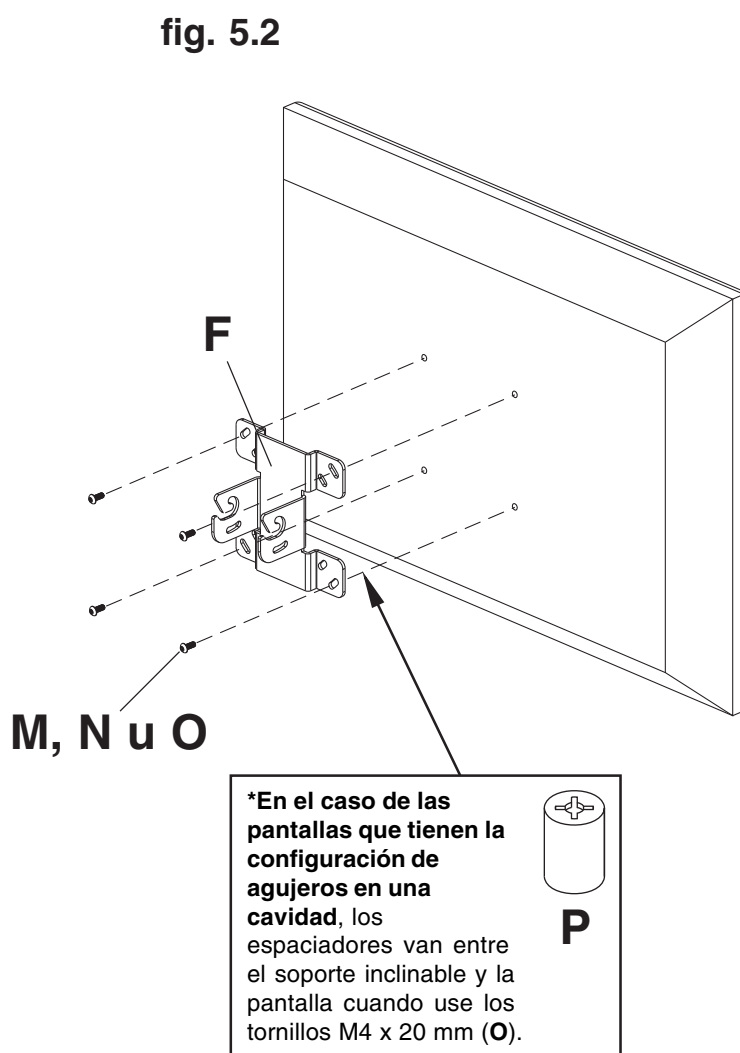
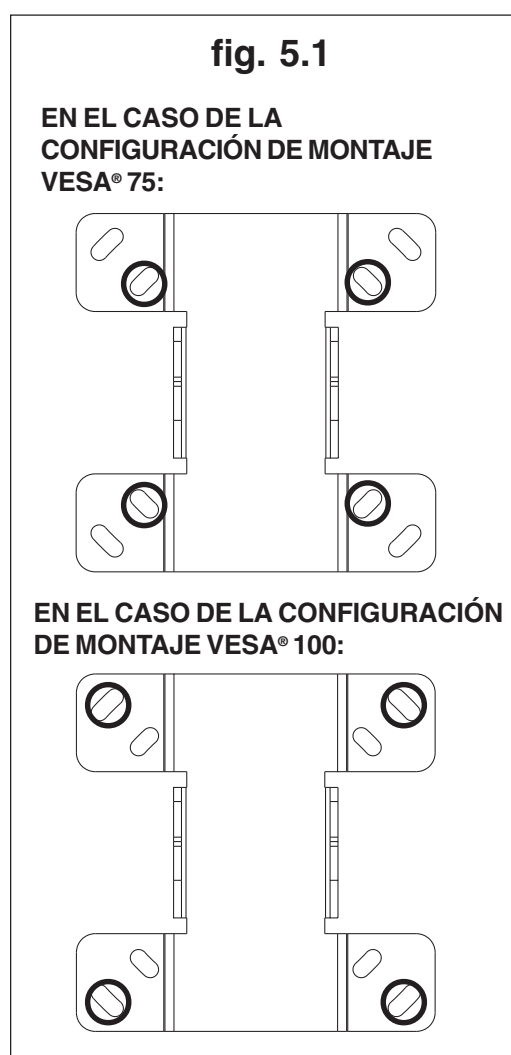
⚠ ADVERTENCIA

- Si no se les da tres vueltas completas a los tornillos en los insertos de la pantalla o si los tornillos topan fondo y el soporte todavía no está firme, se podría dañar la pantalla o el producto podría no funcionar bien.

5 Seleccione la configuración de agujeros, como se muestra en la figura 5.1, que sea igual a los agujeros de la parte trasera de la pantalla. Fije el soporte inclinable (**F**) a la parte trasera de la pantalla usando cuatro tornillos de M4 x 10 mm (**M**) o M4 x 12 mm (**N**), como se muestra en la figura 5.2.

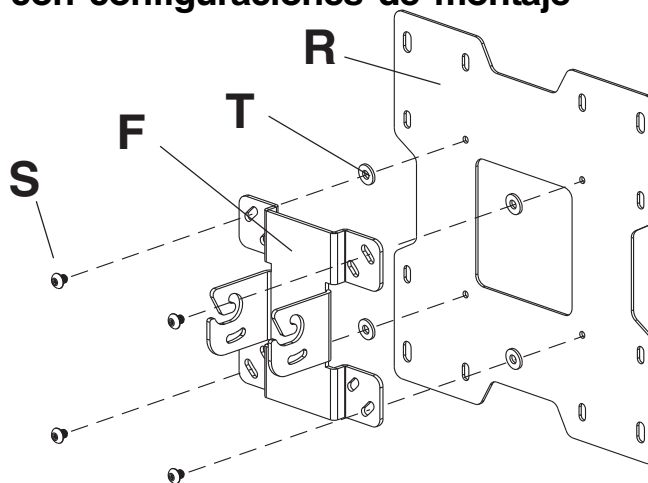
***Nota:** Si la configuración de agujeros está en una cavidad, fije el soporte inclinable (**F**) a la parte trasera de la pantalla usando cuatro tornillos de M4 x 20 mm (**O**) y cuatro espaciadores de retención (**P**), como se indica en la figura 5.2.

Pase al paso 7.



Fijación de la placa adaptadora a pantallas con configuraciones de montaje VESA® 200 x 100 ó 200 x 200

- 6** Fije el soporte inclinable (F) a la placa adaptadora (R) usando cuatro tornillos de M5 x 6 mm (S) y cuatro arandelas N.º 10 (T), como se muestra.



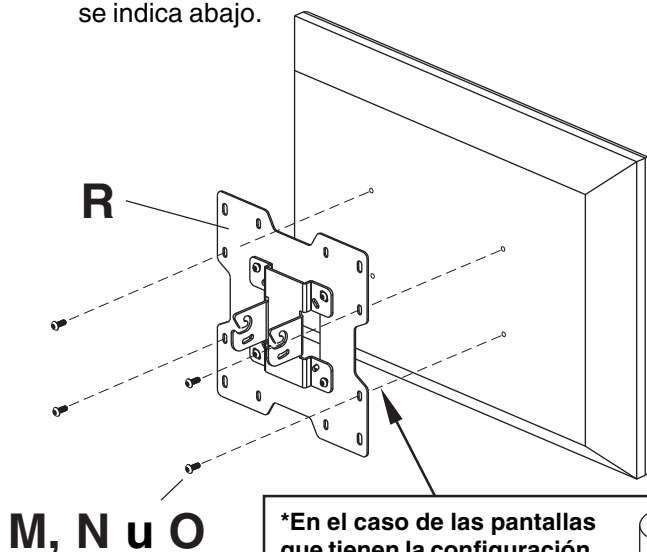
⚠ ADVERTENCIA

- Si no se les da tres vueltas completas a los tornillos en los insertos de la pantalla o si los tornillos topan fondo y el soporte todavía no está firme, se podría dañar la pantalla o el producto podría no funcionar bien.

6-1 EN EL CASO DE LA CONFIGURACIÓN DE MONTAJE VESA® 200 x 100:

Escoja una configuración de agujeros, como se muestra abajo. Fije la placa adaptadora (R) a la parte trasera de la pantalla usando cuatro tornillos de M4 x 10 mm (M) o M4 x 12 mm (N), como se muestra abajo.

***Nota:** Si el tornillo (M o N) enrosca menos de tres vueltas, fije la placa adaptadora (R) a la parte trasera de la pantalla usando cuatro tornillos de M4 x 20 mm (O) y cuatro espaciadores (P), como se indica abajo.



M, N u O

***En el caso de las pantallas que tienen la configuración de agujeros en una cavidad, los espaciadores van entre la placa adaptadora y la pantalla cuando use los tornillos M4 x 20 mm (O).**

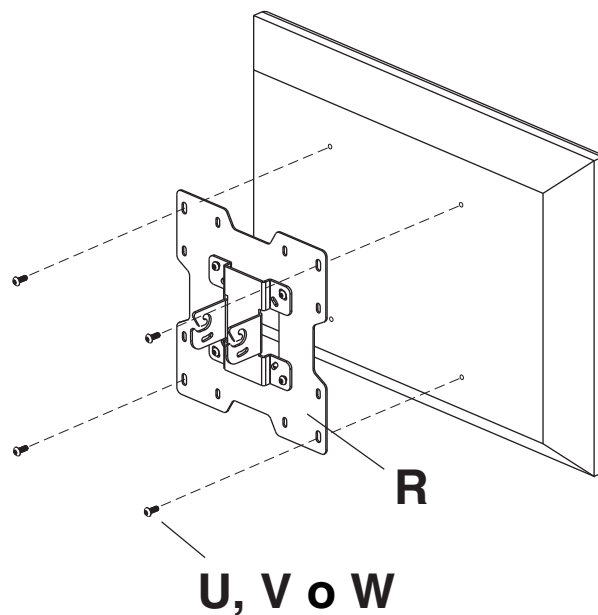


P

EN EL CASO DE LA CONFIGURACIÓN DE MONTAJE VESA® 200 x 200:

Escoja una configuración de agujeros, como se muestra abajo. Fije la placa adaptadora (R) a la parte trasera de la pantalla usando cuatro tornillos de M6 x 12 mm (U), como se muestra abajo.

***Nota:** Si los tornillos (U) enrosca menos de tres vueltas, fije la placa adaptadora (R) a la parte trasera de la pantalla usando cuatro tornillos de M6 x 20 mm (V). Si los tornillos (V) enrosca menos de tres vueltas, use cuatro tornillos de M6 x 30 mm (W).



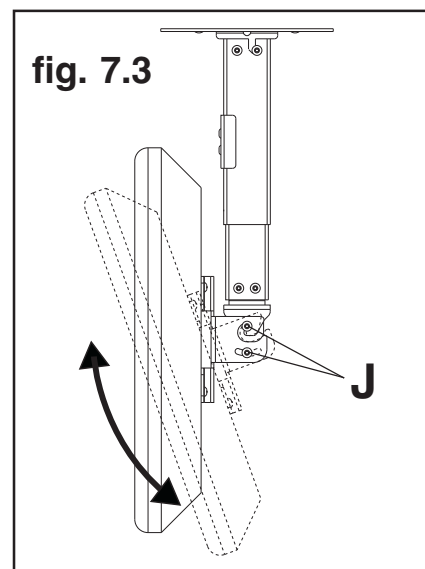
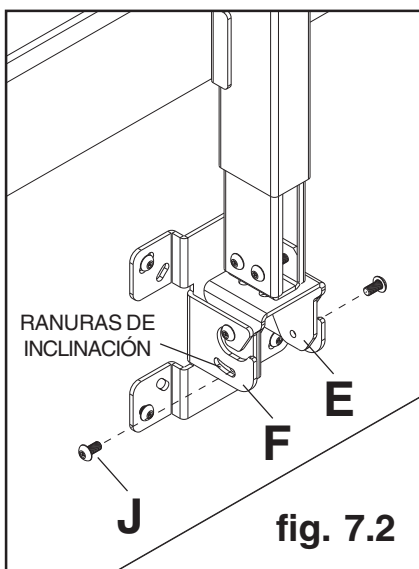
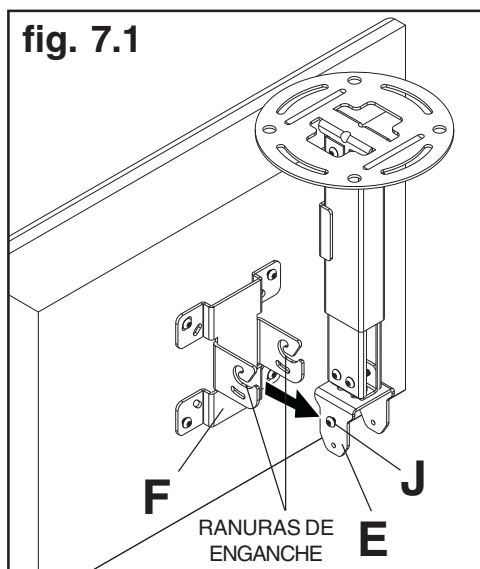
U, V o W

Instalación de la pantalla plana

- 7** Deslice las ranuras de enganche del soporte inclinable (F) sobre los tornillos de M5 x 10 mm (J) del soporte giratorio / rotatorio (E), como se muestra en la figura 7.1.
- Enrosque dos tornillos de M5 x 10 mm (J) a través la ranura de inclinación del soporte inclinable (F), como se muestra en la figura 7.2. No apriete los tornillos al máximo para que pueda ajustar la inclinación. La ranura de inclinación permite ajustes en incrementos de 5°.
- Ajuste la inclinación de la pantalla y apriete los cuatro tornillos de M5 x 10 mm (J) al máximo, como se muestra en la figura 7.3.

⚠ ADVERTENCIA

- No levante más peso del que puede manejar. Cunte con otra persona que lo ayude o utilice un equipo mecánico de izar para levantar y colocar la pantalla con seguridad.

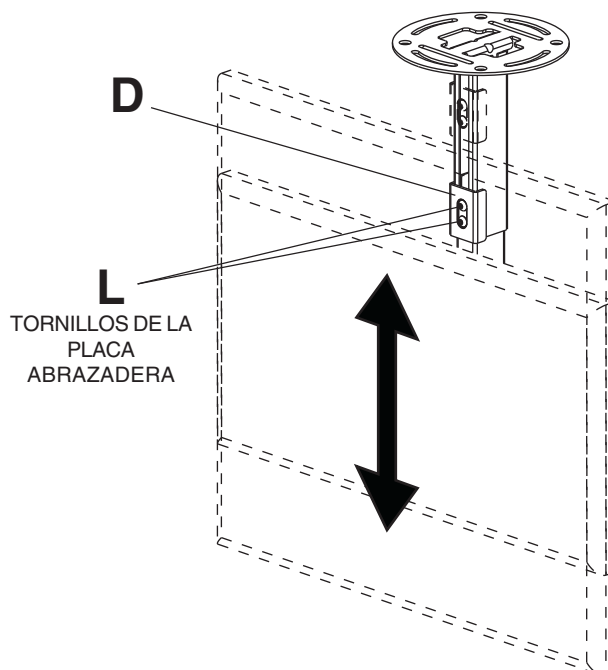


Ajuste de la extensión del soporte

- 8** A la vez que sostiene el peso de la pantalla, afloje los tornillos (L) de la placa abrazadera (D) media vuelta y coloque la pantalla a la altura deseada.
- Apriete los tornillos de la placa abrazadera firmemente.

⚠ ADVERTENCIA

- Los tornillos de ajuste de la placa abrazadera sostienen el peso de la pantalla cuando están apretados al máximo. Tendrá que sostener el peso de la pantalla si afloja los tornillos de la placa abrazadera.

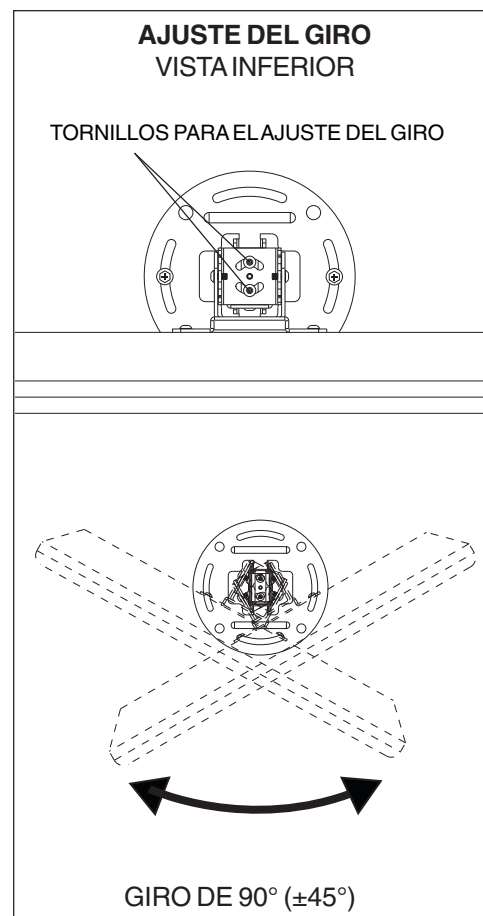
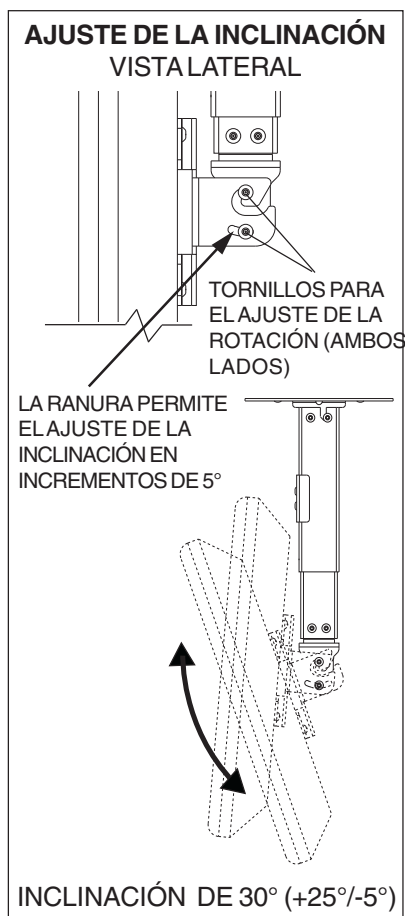
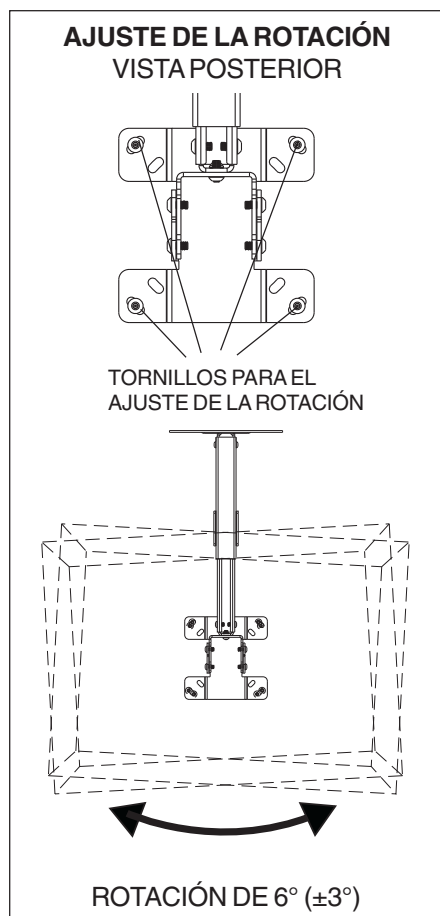


Ajuste de la pantalla

- 9 Si los tornillos indicados están apretados al máximo, afloje los tornillos media vuelta para poder ajustar la inclinación, el giro y la rotación. Coloque la pantalla en la posición deseada y apriete los tornillos al máximo.

⚠ ADVERTENCIA

- No afloje los tornillos de ajuste hasta el punto en que se salgan del soporte. Sostenga el peso de la pantalla en caso de que se salga accidentalmente del soporte.



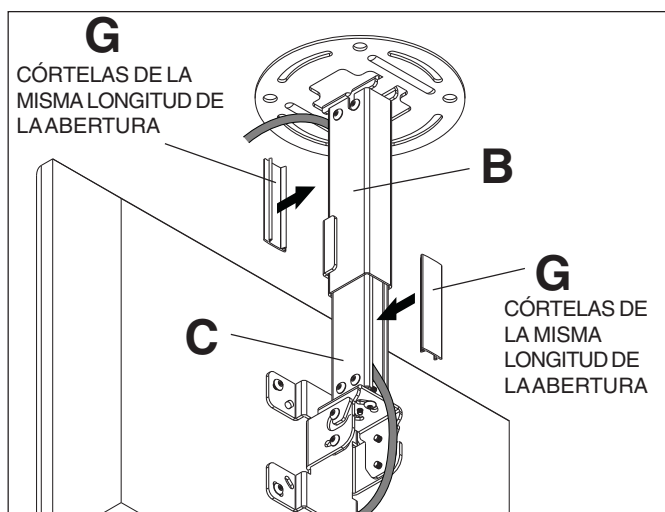
Instalación de las cubiertas para los cables

- 10 **Nota:** Asegúrese de que el soporte esté en la posición deseada de la extensión.

Conecte los cables a la pantalla si los acomodó en los rieles.

Corte las cubiertas para los cables (**G**) de manera que tengan la misma longitud de la abertura del riel interior (**C**) y del riel exterior (**B**) y deje espacio para pasar los cables si los acomodó en los rieles. Coloque las cubiertas para los cables, a presión, en las aberturas, como se muestra.

Necesitará sujetacables (no incluidos) para amarrar los cables que no se acomoden en los rieles.



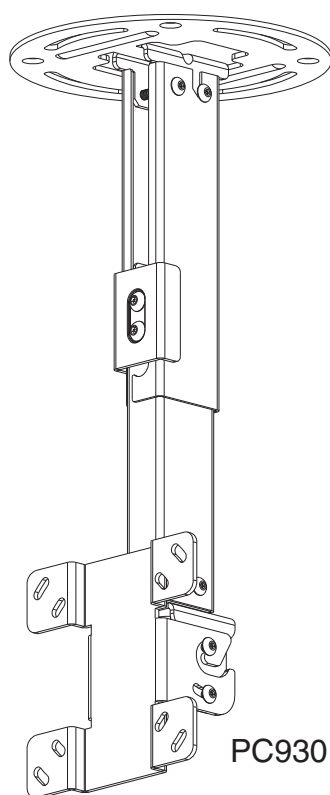
PARAMOUNT TM by Peerless

Installation et montage : Support de plafond ParamountTM pour écrans ACL

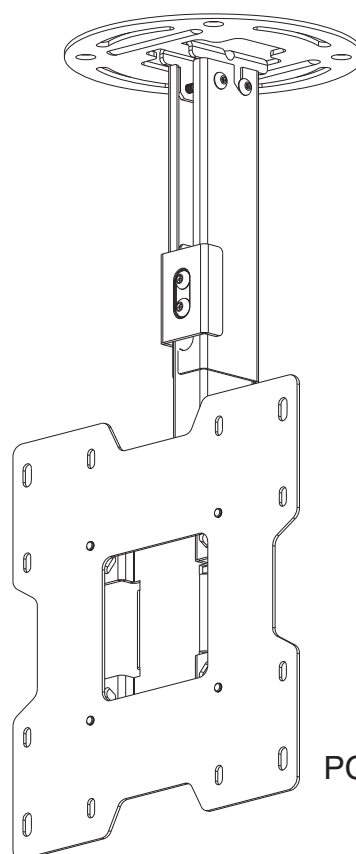
Modèles	Plage de dimensions de l'écran	Capacité de charge maximale établie par l'UL
PC930A, PC930A-S, PC930A-W, PC930B, PC930B-S, PC930B-W, PC930C, PC930C-S, PC930C-W	15 à 24 po	50 lb (22.7 kg)
PC932A, PC932A-S, PC932A-W, PC932B, PC932B-S, PC932B-W, PC932C, PC932C-S, PC932C-W	15 à 37 po	80 lb (36.3 kg)



Cet appareil est conçu pour une utilisation avec des produits homologués UL et doit être installé par un installateur professionnel qualifié.



PC930 Series



PC932 Series

Caractéristiques :

- Compatible avec les normes VESA® 75 / 100 / 200x100 / 200x200 (selon le modèle)
- Trois longueurs d'extension réglables :
Modèles PC930A/PC932A – 9,8 – 13,9 po
Modèles PC930B/ PC932B – 13,78 – 21,89 po
Modèles PC930C/ PC932C – 20,24 – 34,02 po
- Inclinaison réglable sur +25/-5°
- Rotation de 360° durant l'installation
- Dispositif interne d'organisation des câbles
- Cran de sûreté intégré aux rails d'extension pour assurer la sécurité des utilisateurs et du matériel

Remarque : lisez entièrement la fiche d'instructions avant de commencer l'installation et l'assemblage.

⚠ AVERTISSEMENT

- Ne commencez pas à installer ce produit avant d'avoir lu et assimilé les instructions et les avertissements contenus dans cette fiche d'installation. Pour toute question concernant les instructions ou les avertissements, veuillez appeler le service à la clientèle au 1-800-865-2112.
- Ce produit doit être installé uniquement par quelqu'un possédant une bonne aptitude à la mécanique, une expérience de la construction immobilière et ayant bien compris ces instructions.
- Assurez-vous que la surface de support puisse soutenir sans danger la charge totale de l'équipement ainsi que des pièces et composants qui y sont attachés.
- Ne dépassez jamais la capacité de charge maximum établie par l'UL. Reportez-vous à la page 23.
- Si le montage est effectué sur des plafonds à solives de bois, assurez-vous que les vis de montage sont ancrées au centre des solives. L'utilisation d'un localisateur de montants « bord à bord » est fortement recommandée.
- Pour lever et positionner l'équipement en toute sécurité, faites-vous toujours aider par une autre personne ou utilisez un dispositif de levage mécanique.
- Serrez fermement les vis, mais sans excès. Un serrage excessif peut endommager les composants et en réduire considérablement la capacité de support.
- Ce produit est conçu uniquement pour un usage intérieur. L'utilisation de ce produit à l'extérieur peut causer une défaillance du produit et des blessures corporelles.
- Ce produit a été conçu pour une installation aux surfaces de support marquées d'une croix ci-dessous avec les pièces de fixation incluses tel qu'indiqué sur la fiche d'installation. Pour monter ce produit sur un autre type de surface de support, contactez le service à la clientèle au 1 800 865-2112.
- Ce produit a été conçu pour être installé uniquement sur les constructions de plafond suivantes :

CONSTRUCTION PLAFOND

VISSERIE SUPPLÉMENTAIRE REQUISE

<input checked="" type="checkbox"/> Montant en bois	Aucune
<input checked="" type="checkbox"/> Poutre en bois	Aucune
<input checked="" type="checkbox"/> Béton plein	Aucune
<input checked="" type="checkbox"/> Bloc de béton de mâchefer	Aucune
<input type="checkbox"/> Montant métallique	Ne fixer qu'avec le kit d'accessoires Peerless pour montants métalliques Adressez-vous au service clientèle pour vous procurer le kit d'accessoires Peerless pour montants métalliques.
<input type="checkbox"/> Brique	Adressez-vous au service clientèle
<input type="checkbox"/> Autre, ou vous n'êtes pas sûr ?	Adressez-vous au service clientèle

Outils nécessaires au montage

- localisateur de montants (un localisateur de montants « bord à bord » est recommandé)
- perceuse
- niveau
- foret de 1/4 po pour béton
- foret de 5/32 po pour solives de bois
- tournevis cruciforme

Table des matières

Liste des pièces	25, 26
Installation du rail extérieur à la plaque de plafond	26
Installation à une solive en bois	27
Installation à un plafond en béton	28
Installation du rail intérieur et cheminement des câbles	29
Fixation de la plaque de montage à un écran compatible à la norme de montage VESA 75 ou 100	30
Fixation de la plaque d'adaptation à un écran compatible à la norme de montage VESA 200 x 100 ou 200 x 200	31
Installation d'un écran plat	32
Réglage de l'extension du support	32
Réglage de l'écran	33
Installation des gaines de câble	33

Avant de commencer, veuillez à ce que toutes les pièces énumérées soient incluses.

Liste des pièces		PC930A, PC930B, PC930C	PC930A-S, PC930B-S, PC930C-S	PC930A-W, PC930B-W, PC930C-W	PC932A, PC932B, PC932C	PC932A-S, PC932B-S, PC932C-S	PC932A-W, PC932B-W, PC932C-W
Description	Qté	Pièce no	Pièce no	Pièce no	Pièce no	Pièce no	Pièce no
A plaque de plafond	1	055-1773	055-4773	055-2773	055-1773	055-4773	055-2773
B rail extérieur	1	Voir le tableau	Voir le tableau	Voir le tableau	Voir le tableau	Voir le tableau	Voir le tableau
C rail intérieur	1	Voir le tableau	Voir le tableau	Voir le tableau	Voir le tableau	Voir le tableau	Voir le tableau
D plaque de serrage	1	055-1771	055-4771	055-2771	055-1771	055-4771	055-2771
E support pivotant	1	055-1811	055-4811	055-2811	055-1811	055-4811	055-2811
F support inclinable	1	095-1484	095-4484	095-2484	095-1484	095-4484	095-2484
G gaine de câble	2	Voir le tableau	Voir le tableau	Voir le tableau	Voir le tableau	Voir le tableau	Voir le tableau
H vis à bois n° 14 x 2,5	2	5S1-015-C03	5S1-015-C04	5S1-015-C04	5S1-015-C03	5S1-015-C04	5S1-015-C04
I ancrage pour béton Alligator®	2	590-0097	590-0097	590-0097	590-0097	590-0097	590-0097
J vis à tête creuse M5 x 10 mm	8	520-1063	520-2063	520-2063	520-1063	520-2063	520-2063
K vis à tête creuse M6 x 10 mm	4	520-1066	520-2066	520-2066	520-1066	520-2066	520-2066
L vis à tête creuse M6 x 12 mm	2	520-1050	520-2050	520-2050	520-1050	520-2050	520-2050
M vis à tête creuse M4 x 10 mm	4	520-1060	520-2060	520-2060	520-1060	520-2060	520-2060
N vis à tête creuse à embase crantée M4 x 12 mm	4	510-1079	510-2079	510-2079	510-1079	510-2079	510-2079
O vis à tête creuse M4 x 20 mm	4	520-1061	520-2163	520-2163	520-1061	520-2163	520-2163
P entretoise	4	590-5005	590-5005	590-5005	590-5005	590-5005	590-5005
Q clé hexagonale de sécurité de 4 mm	1	560-9646	560-9646	560-9646	560-9646	560-9646	560-9646
R plaque d'adaptation	1	S/O	S/O	S/O	095-1322	095-4322	095-2322
S vis à tête creuse M5 x 6 mm	4	S/O	S/O	S/O	520-1114	520-2062	520-2062
T rondelle plate n° 10	4	S/O	S/O	S/O	540-9400	540-9442	540-9442
U vis à tête creuse M6 x 12 mm	4	S/O	S/O	S/O	520-1050	520-2050	520-2050
V vis à tête creuse M6 x 20 mm	4	S/O	S/O	S/O	520-9554	520-2554	520-2554
W vis à tête creuse M6 x 30 mm	4	S/O	S/O	S/O	520-1067	520-2067	520-2067

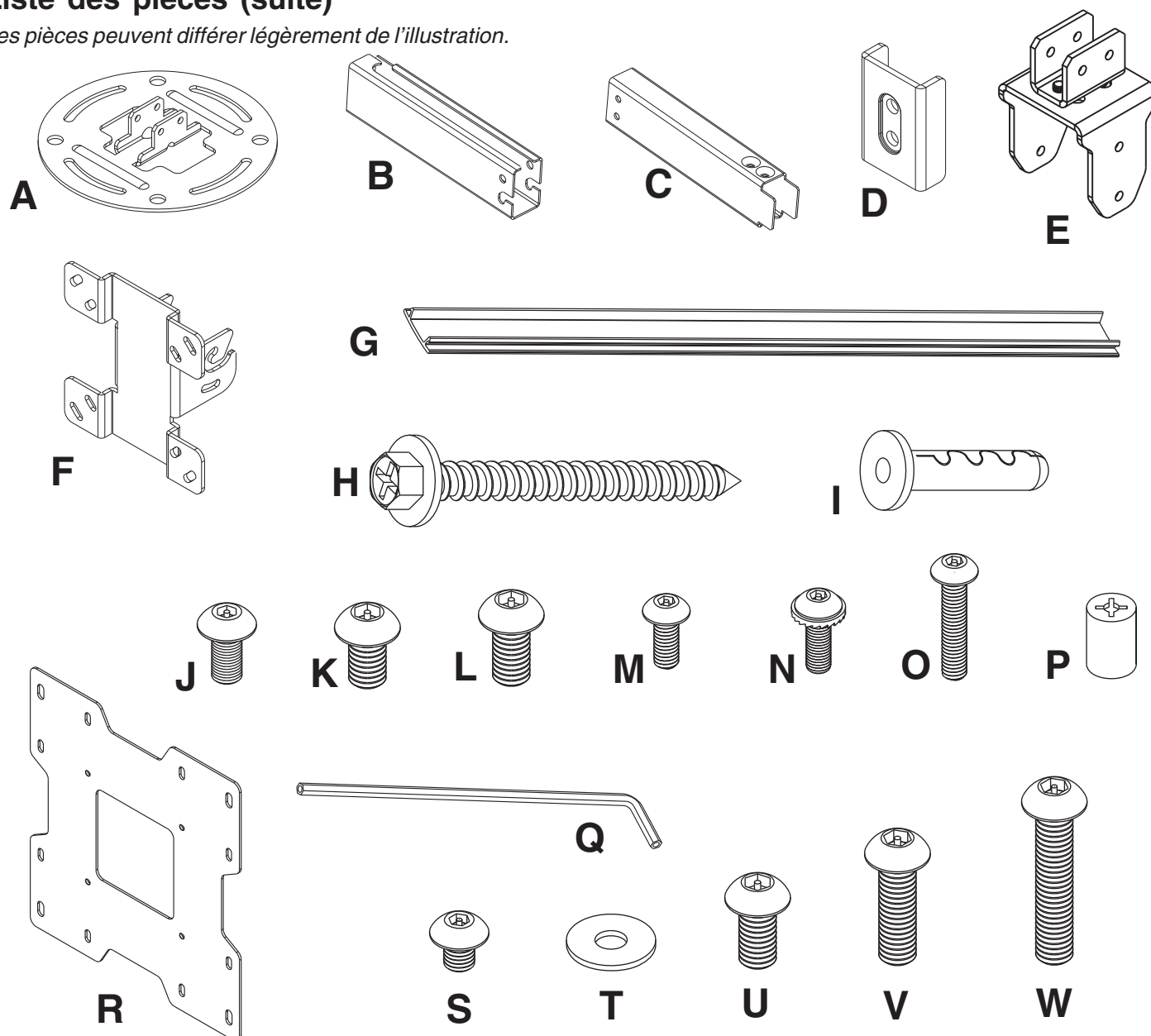
Il est possible que les pièces semblent légèrement différentes de l'illustration.

TABLEAU DE RÉFÉRENCE DES RAILS EXTÉRIEURS, RAILS INTÉRIEURS ET GAINES DE CÂBLE

N° de modèle	extensible longueur	rail extérieur (B) pièce n°	rail intérieur (C) pièce n°	gaine de câble (G) pièce n°
PC930A, PC932A	9,8 - 13,9 po	055-1779	055-1778	055-1772-2
PC930A-S, PC932A-S	9,8 - 13,9 po	055-4779	055-4778	055-4772-2
PC930A-W, PC932A-W	9,8 - 13,9 po	055-2779	055-2778	055-2772-2
PC930B, PC932B	13,78 - 21,89 po	055-1776	055-1775	055-1772-1
PC930B-S, PC932B-S	13,78 - 21,89 po	055-4776	055-4775	055-4772-1
PC930B-W, PC932B-W	13,78 - 21,89 po	055-2776	055-2775	055-2772-1
PC930C, PC932C	20,24 - 34,02 po	055-1770	055-1769	055-1772
PC930C-S, PC932C-S	20,24 - 34,02 po	055-4770	055-4769	055-4772
PC930C-W, PC932C-W	20,24 - 34,02 po	055-2770	055-2769	055-2772

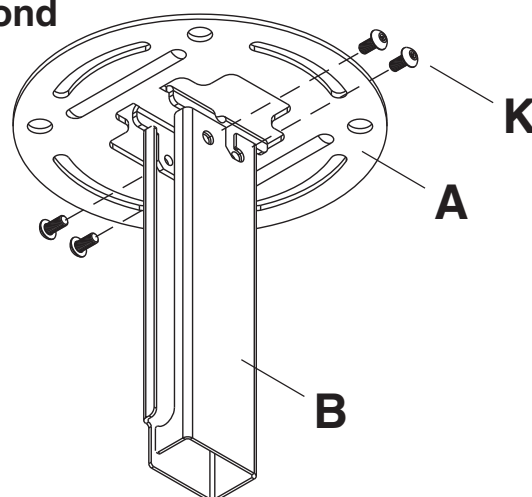
Liste des pièces (suite)

Les pièces peuvent différer légèrement de l'illustration.



Installation du rail extérieur à la plaque de plafond

- Fixez le rail extérieur (B) à la plaque de plafond (A) à l'aide de quatre vis à tête creuse M6 x 10 mm (K) comme illustré.



Installation sur des plafonds à solives en bois

⚠ AVERTISSEMENT

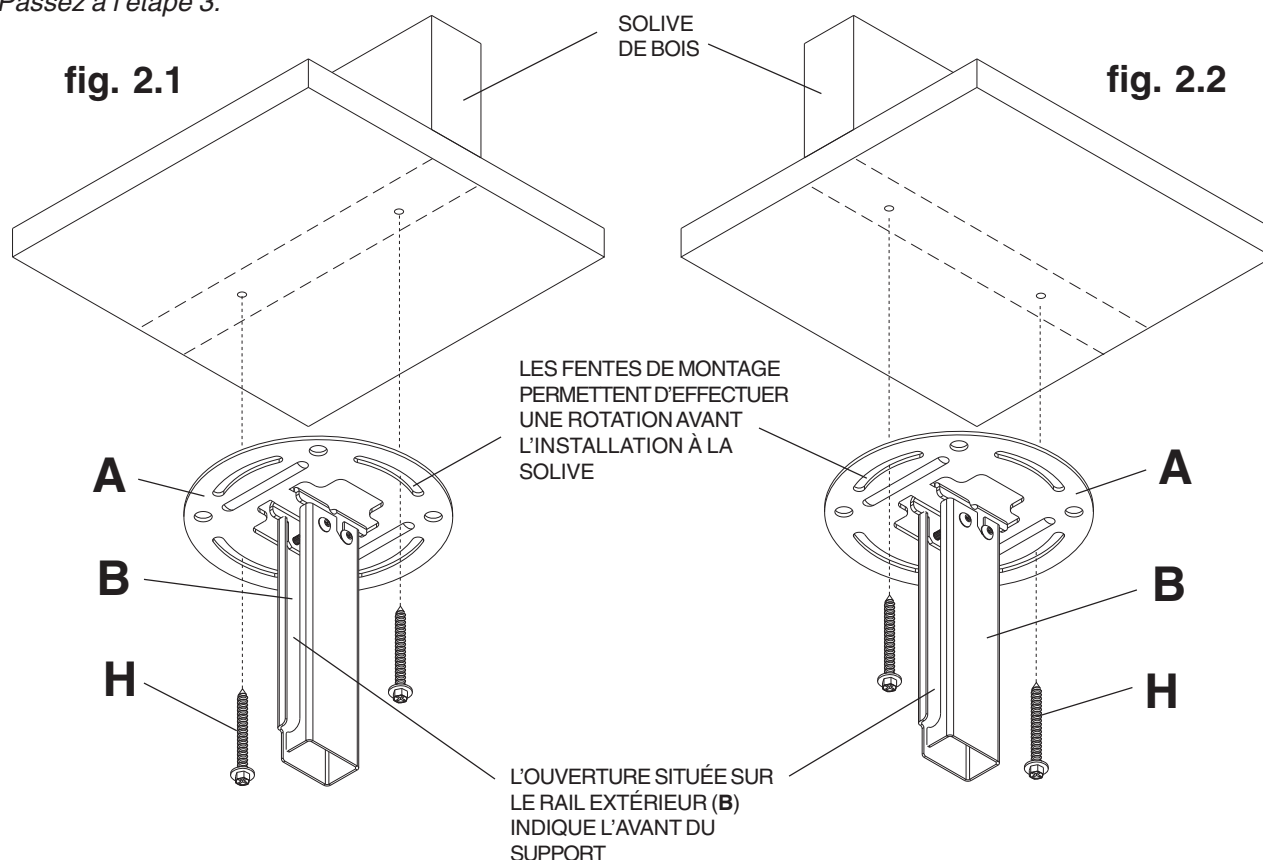
- L'installateur doit s'assurer que la surface de support peut soutenir sans danger la charge totale de l'équipement ainsi que des pièces et composants qui y sont attachés.
- Serrez les vis à bois pour que la plaque de plafond tienne solidement en place, mais sans excès. Un serrage excessif peut endommager les vis et en réduire considérablement le pouvoir de maintien.
- Ne serrez jamais à plus de 80 po-lb (9 Nm).
- Assurez-vous que les vis de montage sont fixées au centre du montant ou de la solive. L'utilisation d'un localisateur de montants « bord à bord » est fortement recommandée.
- Les pièces de fixation fournies sont prévues pour une installation du support sur des montants en bois ou des solives à travers une cloison sèche ou du plâtre d'épaisseur standard. Il est de la responsabilité de l'installateur de fournir les pièces de fixation requises pour tout autre type d'installation (non homologuée UL).

2 Repérez les bords de la solive à l'aide d'un localisateur de montants. L'utilisation d'un localisateur de montants « bord à bord » est fortement recommandée. Après avoir repéré les bords, tracez une ligne verticale le long du centre de la solive. Posez la plaque de plafond (A) sur le plafond comme gabarit, en veillant à ce que les deux fentes de montage soient sur la ligne médiane du montant.

Remarque : L'ouverture située sur le rail extérieur (B) indique l'avant du support. Utilisez les fentes de montage appropriées de la plaque de plafond selon l'orientation de la solive, comme illustré à la figure 2.1 ou figure à la 2.2. Les fentes de montage de la plaque de plafond permettent une rotation de 45° (± 22.5) avant son installation à la solive.

Marquez le centre des deux trous de fixation en fonction de l'orientation de la solive, comme illustré à la figure 1.1 ou à la figure 1.2. Percez deux trous de 5/32 po (4 mm) de dia. et de 2-1/2 po (65 mm) de profondeur. Fixez la plaque de plafond (A) à la solive en bois à l'aide de deux vis à bois n° 14 x 2-1/2 po (H) comme illustré.

Passez à l'étape 3.



Installation à un plafond en béton

⚠ AVERTISSEMENT

- Le béton doit avoir une densité minimale de 2000 psi. Un béton de densité moindre risquerait de ne pas retenir un ancrage de béton.
- Assurez-vous que la surface de support pourra soutenir sans danger la charge combinée de l'équipement, de toute sa visserie et de tous ses composants.

2 Placez la plaque de plafond (**A**) sur le plafond comme gabarit et marquez le centre des deux trous de fixation.

Remarque : L'ouverture située sur le rail extérieur indique l'avant du support.

Percez deux trous de 1/4 po (6 mm) de dia. à une profondeur minimale de 2,5 po (64 mm). Fixez la plaque de plafond (**A**) à l'aide de deux chevilles d'ancrage pour béton (**I**) et de deux vis à bois n° 14 x 2,5 po (**H**) comme illustré à la figure 1.3 et à la figure 1.4. Serrez les vis à bois (**H**) jusqu'à ce que la plaque de plafond (**A**) tienne solidement en place.

⚠ AVERTISSEMENT

- Serrez fermement les vis à bois, mais sans excès. Un serrage excessif peut endommager les vis et en réduire considérablement le pouvoir de maintien.
- Ne serrez jamais à plus de 9 Nm (80 po-lb).

⚠ AVERTISSEMENT

- Fixez toujours des ancrages de béton directement sur du béton porteur.
- Ne fixez jamais d'ancrages sur du béton recouvert de plâtre, une cloison sèche ou autre matériau de finition. Si vous ne pouvez pas éviter d'effectuer le montage sur du béton recouvert d'une surface de finition, celle-ci doit être chambrée, comme indiqué ci-dessous. Assurez-vous que les ancrages de béton ne se séparent pas du béton lorsque vous serrez les vis. Si l'épaisseur du plâtre / de la cloison sèche dépasse 1,5 cm (5/8 po), des fixations adaptées devront être fournies par l'installateur (non approuvées UL).

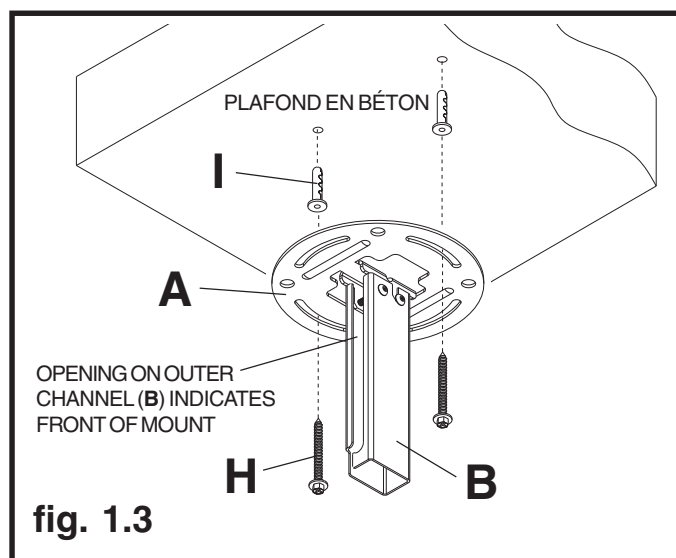
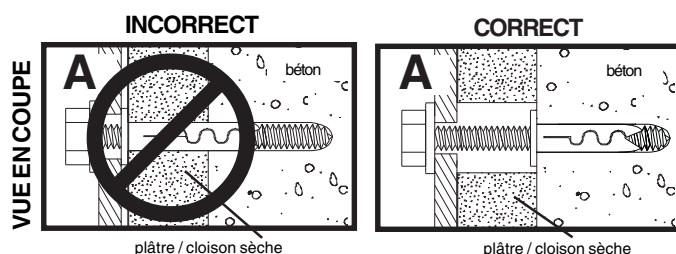
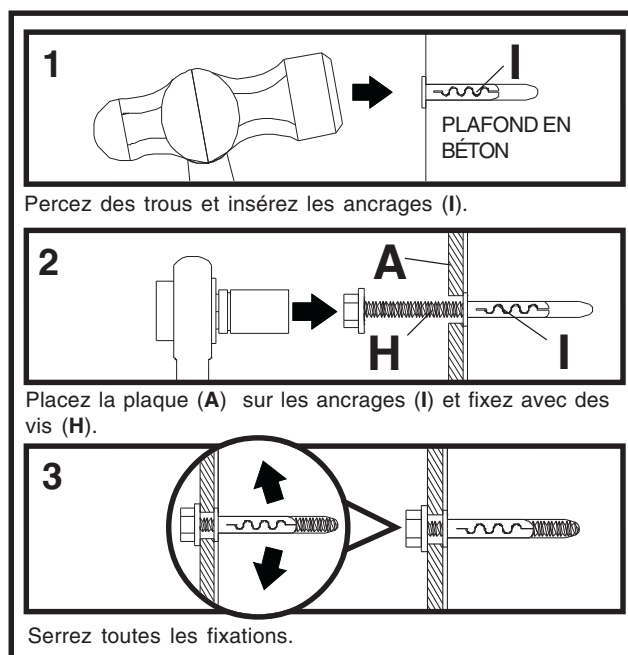


fig. 1.3

fig. 1.4



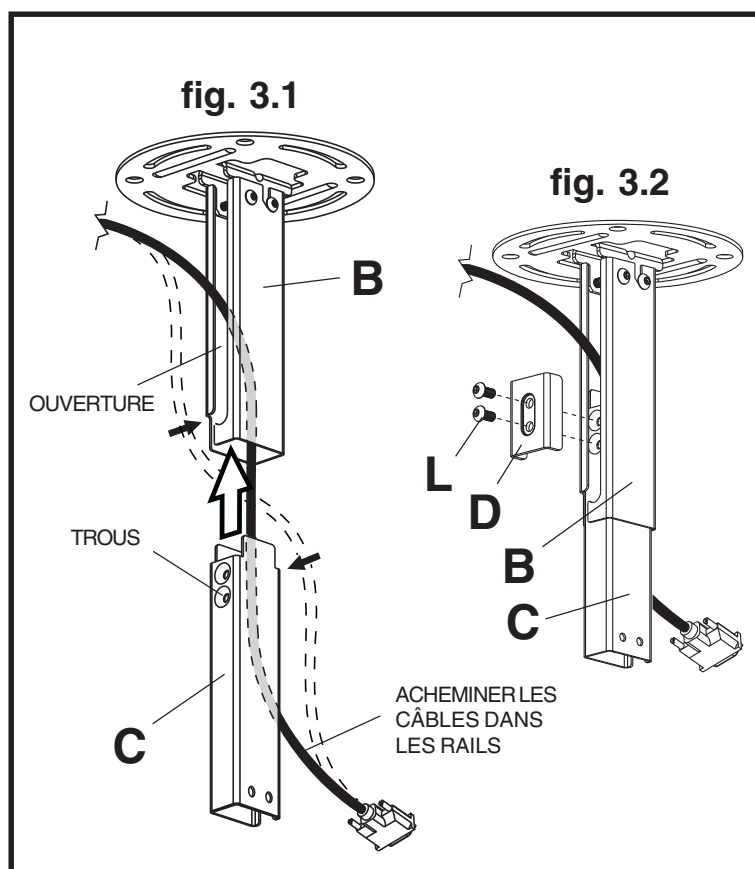
Installation du rail intérieur et cheminement des câbles

- 3** **Remarque :** Veillez à ce que les trous du rail intérieur (C) soient orientés dans le même sens que l'ouverture située sur le rail extérieur (B).

Remarque : On doit retirer les câbles de l'écran avant de les acheminer à travers des rails. Si les câbles ne peuvent être retirés de l'écran, il sera impossible de les acheminer à travers les rails.

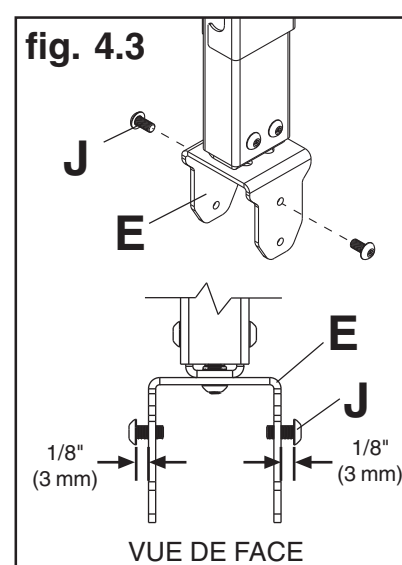
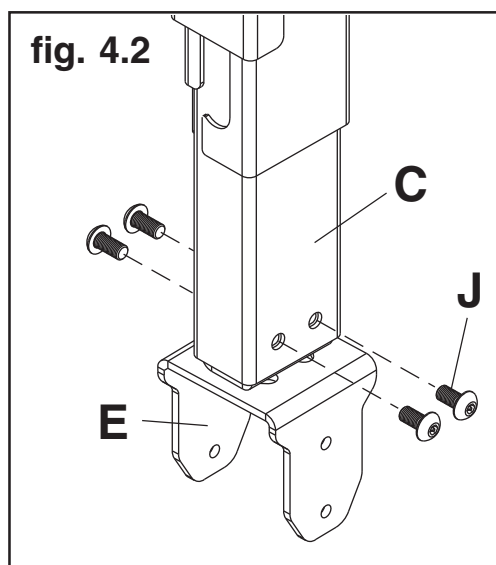
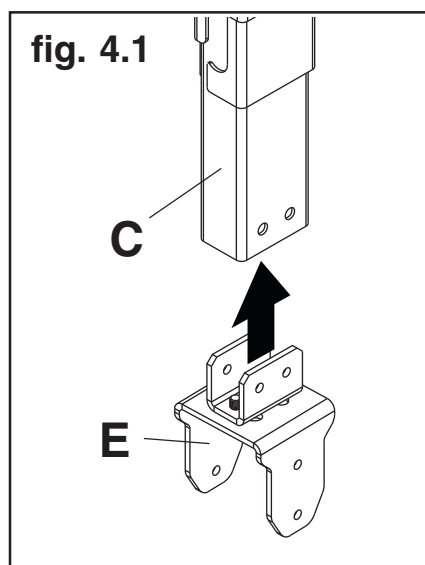
Acheminez les câbles de l'écran dans les ouvertures des rails, puis insérez le rail intérieur (C) dans le rail extérieur (B) comme illustré à la figure 3.1.

Positionnez le rail intérieur (C) à la hauteur souhaitée et fixez-le en insérant deux vis à tête creuse M6 x 12 mm (L) dans la plaque de serrage (D), dans l'ouverture du rail extérieur (B), puis dans le rail intérieur (C) comme illustré à la figure 3.2.



- 4** Insérez le support pivotant (E) dans l'extrémité du rail intérieur (C) et fixez-le à l'aide de quatre vis à tête creuse de M5 x 10 mm (J) comme illustré à la figure 4.1 et à la figure 4.2. Insérez deux vis M5 x 10 mm (J) dans les trous supérieurs du support pivotant (E), en laissant 1/8 po (3 mm) de filetage à découvert entre la tête de la vis et le support comme illustré à la figure 4.3.

LES CÂBLES NE SONT PAS ILLUSTRÉS POUR PLUS DE CLARTÉ.



Fixation de la plaque de montage à un écran compatible à la norme de montage VESA 75 ou 100

Remarque : Pour les configurations de trous VESA 200 x 100 mm et 200 x 200 mm, passez à l'étape 6.

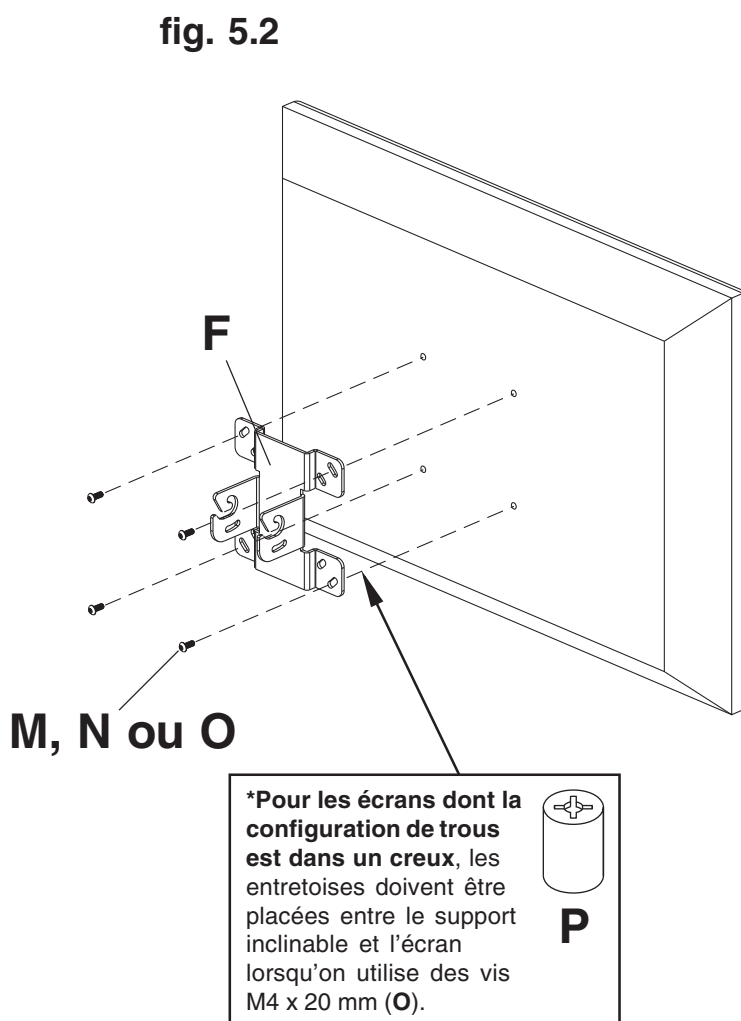
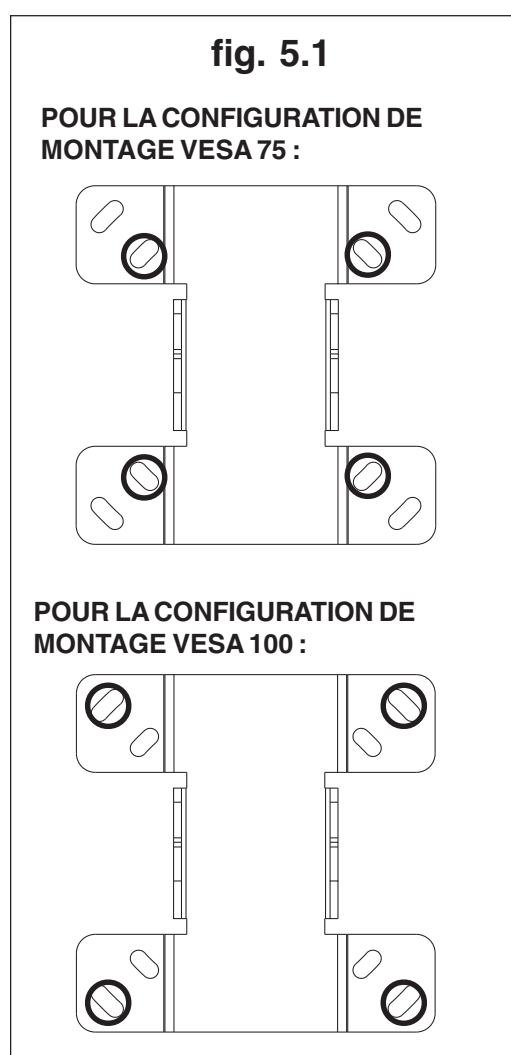
⚠ AVERTISSEMENT

- Si les vis ne sont pas enfoncées de trois tours complets dans les inserts ou si elles sont serrées au maximum sans parvenir à fixer solidement le support, l'écran peut être abîmé ou le produit détérioré.

5 Choisissez la configuration de trous illustrée à la figure 5.1, qui correspond à celle qui se trouve à l'arrière de votre écran. Fixez le support inclinable (F) au dos de l'écran à l'aide de quatre vis M4 x 10 mm (M) ou M4 x 12 mm (N) comme illustré à la figure 5.2.

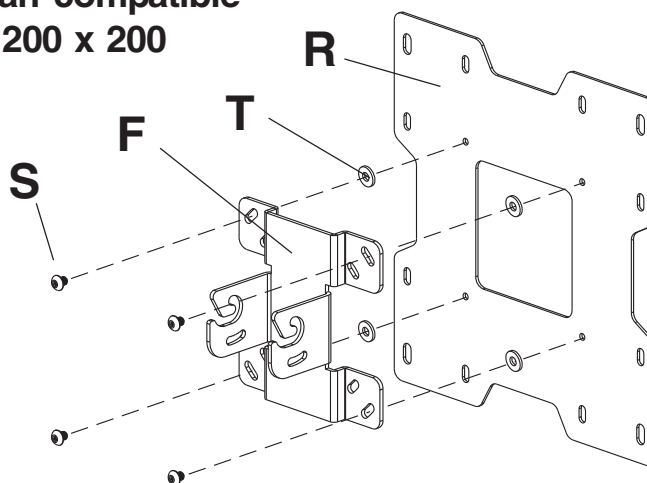
* Remarque : Si la configuration de trous est dans un creux, fixez le support inclinable (F) au dos de l'écran à l'aide de quatre vis M4 x 20 mm (O) et quatre entretoises de retenue (P) comme indiqué à la figure 5.2.

Passez à l'étape 7.



Fixation de la plaque d'adaptation à un écran compatible à la norme de montage VESA 200 x 100 ou 200 x 200

- 6** Fixez le support inclinable (F) à la plaque d'adaptation (R) à l'aide de quatre vis M5 x 6 mm (S) et de quatre rondelles n° 10 (T) comme illustré.



⚠ AVERTISSEMENT

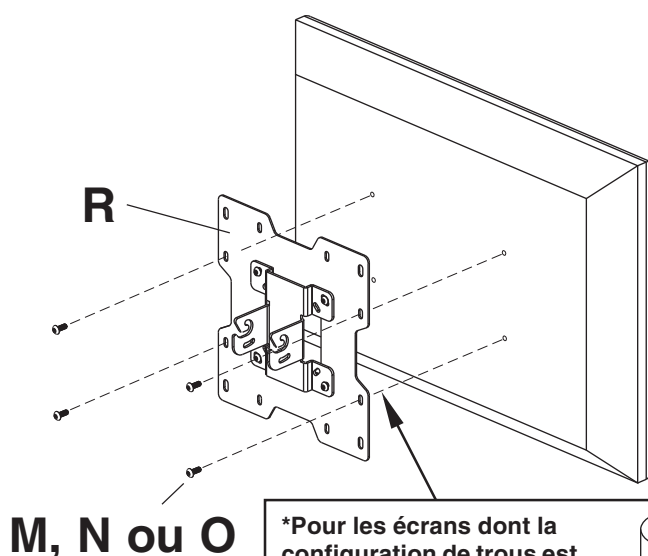
- Si les vis ne sont pas enfoncées de trois tours complets dans les inserts ou si elles sont serrées au maximum sans parvenir à fixer solidement le support, l'écran peut être abîmé ou le produit détérioré.

POUR LA CONFIGURATION DE MONTAGE VESA 200 x 100 :

- 6-1** Choisissez la configuration de trous illustrée ci-dessous. Fixez la plaque d'adaptation (R) à l'arrière de l'écran à l'aide de quatre vis M4 x 10 mm (M) ou M4 x 12 mm (N) comme illustré ci-dessous.
 * **Remarque :** Si la vis (M ou N) ne se visse pas sur au moins trois filetages, fixez la plaque d'adaptation (R) à l'arrière de l'écran à l'aide de quatre vis M4 x 20 mm (O) et quatre entretoises (P) comme indiqué ci-dessous.

POUR LA CONFIGURATION DE MONTAGE VESA 200 x 200 :

- Choisissez la configuration de trous illustrée ci-dessous. Fixez la plaque d'adaptation (R) à l'arrière de l'écran à l'aide de quatre vis M6 x 12 mm (U) comme illustré ci-dessous.
 * **Remarque :** Si la vis (U) ne se visse pas sur au moins trois filetages, attachez la plaque d'adaptation (R) à l'arrière de l'écran à l'aide de quatre vis M6 x 20 mm (V). Si la vis (V) ne se visse pas sur au moins trois filetages, utilisez quatre vis M6 x 30 mm (W).

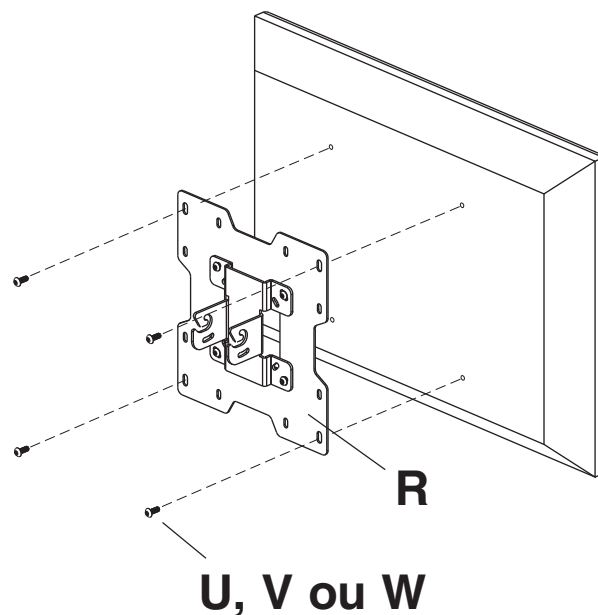


M, N ou O

*Pour les écrans dont la configuration de trous est dans un creux, les entretoises doivent être placées entre la plaque d'adaptation et l'écran lorsqu'on utilise des vis M4 x 20 mm (O).



P



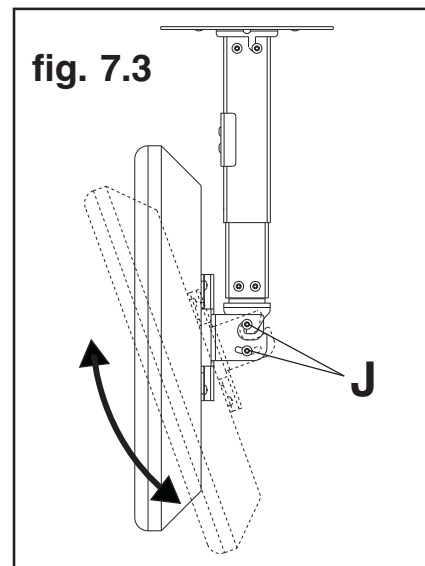
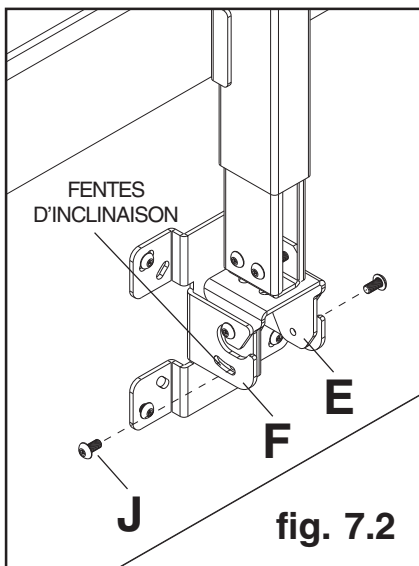
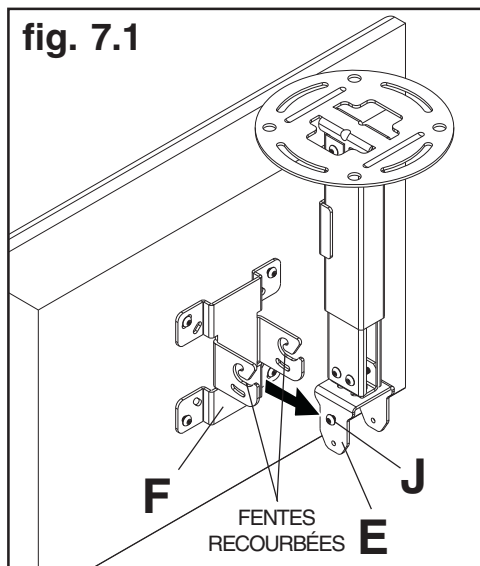
U, V ou W

Fixation de l'écran

- 7** Guidez les fentes recourbées du support inclinable (F) sur les vis M5 x 10 mm (J) du support pivotant (E) comme illustré à la figure 7.1. Insérez deux vis M5 x 10 mm (J) dans la fente d'inclinaison du support inclinable (F), puis dans le support pivotant (E), comme illustré à la figure 7.2. Ne pas serrer complètement les vis afin de permettre le réglage de l'inclinaison. La fente d'inclinaison permet de régler l'inclinaison par incréments de 5°. Réglez l'inclinaison de l'écran et resserrez complètement les quatre vis M5 x 10 mm (J) comme illustré à la figure 7.3.

⚠ AVERTISSEMENT

- Ne soulevez pas une charge trop lourde pour vous. Pour positionner l'écran en toute sécurité, faites-vous aider par une autre personne ou utilisez un dispositif de levage mécanique.

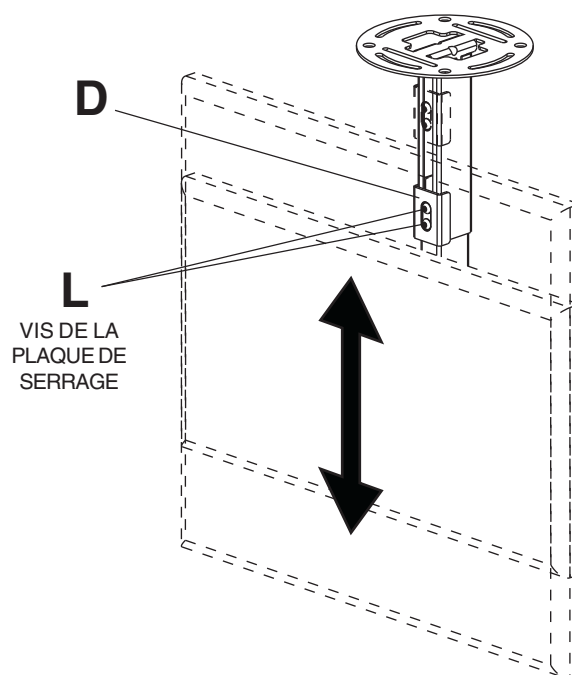


Réglage de l'extension du support

- 8** Tout en supportant le poids de l'écran, desserrez les vis (L) de la plaque de serrage (D) d'un demi-tour, puis placez l'écran à la hauteur souhaitée. Resserrez fermement les vis de la plaque de serrage.

⚠ AVERTISSEMENT

- Les vis de réglage de la plaque de serrage supportent le poids de l'écran lorsqu'elles sont complètement resserrées. On doit supporter le poids de l'écran lorsque les vis de la plaque de serrage sont desserrées.

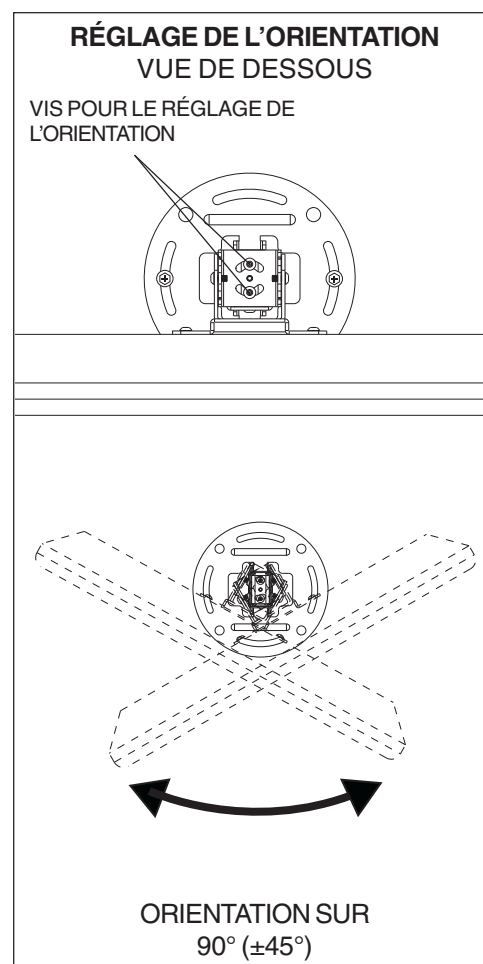
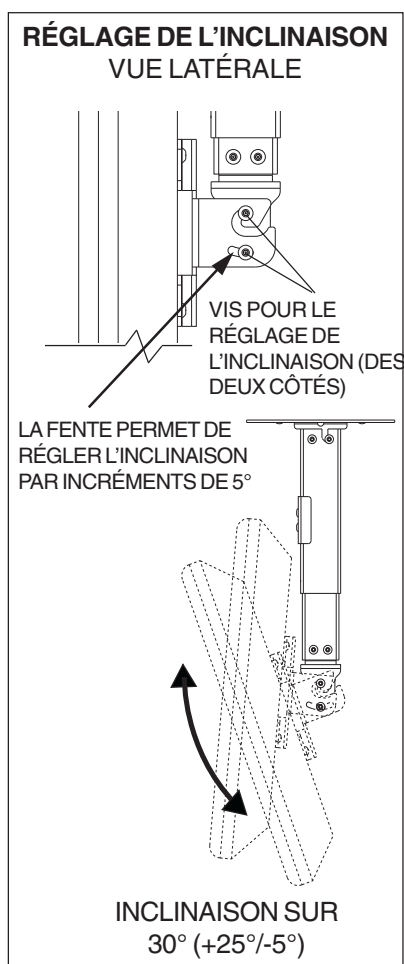
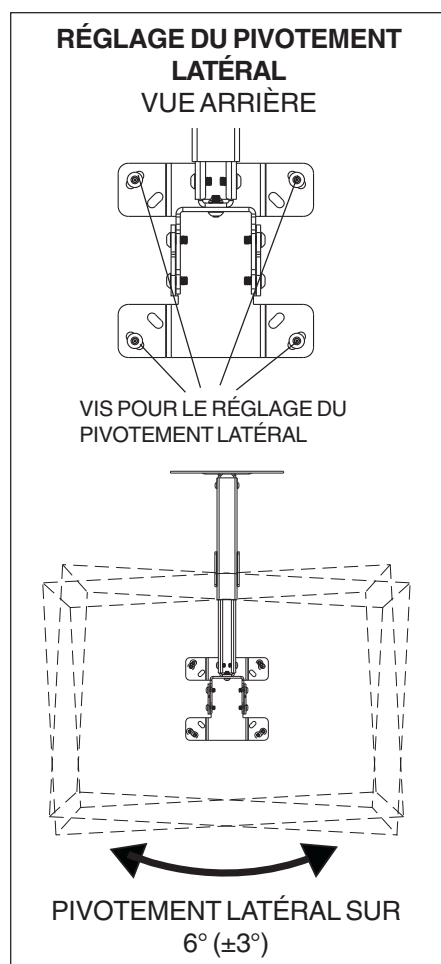


Réglage de l'écran

- 9** Si les vis indiquées sont complètement resserrées, desserrez-les d'un demi-tour pour régler l'inclinaison, l'orientation et le pivotement latéral. Réglez la position de l'écran et resserrez complètement les vis.

⚠ AVERTISSEMENT

- Ne pas desserrer les vis de réglage au point où elles se détachent du support. On doit supporter le poids de l'écran si les vis se détachent accidentellement.



Installation des gaines de câble

- 10** **Remarque :** Veillez à ce que le support soit dans la position d'extension souhaitée. Attachez les câbles à l'écran s'ils cheminent à travers les rails. Coupez les gaines de câble (**G**) à la longueur des ouvertures du rail intérieur (**C**) et extérieur (**B**), en laissant de l'espace pour les câbles s'ils cheminent à travers les rails. Enfoncez les gaines de câbles dans les ouvertures comme illustré. Les câbles qui ne cheminent pas à travers les rails nécessitent des attaches de câble (non comprises).

