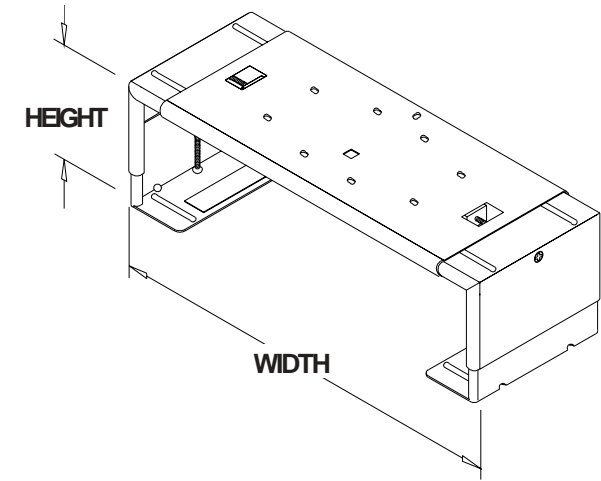
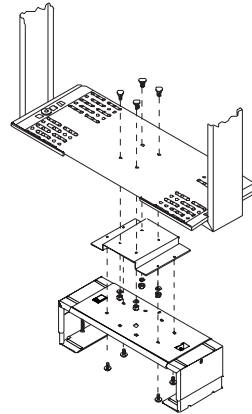


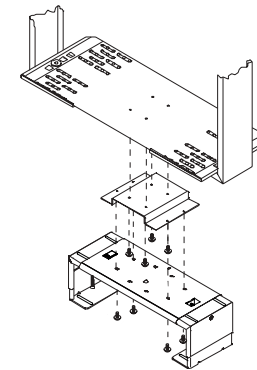
MODEL #	INSIDE DIMENSIONS		VCR/DVD/DVR DIMENSIONS	
	WIDTH (W)	HEIGHT (H)	MAXIMUM	MINIMUM
VPM25-J, SVPM25-J, VPM25-JS, SVPM25-JS	13.25" - 17.25" (337 mm - 438 mm)	1.5" - 2.75" (38 mm - 70 mm)	17.25" x 2.5" (438 mm x 64 mm)	13.25" x 1.75" (337 mm x 44 mm)
VPM35-J, SVPM35-J, VPM35-JS, SVPM35-JS	10.25" - 14.25" (260 mm - 362 mm)	2.69" - 4.5" (68 mm - 114 mm)	14.25" x 4.25" (362 mm x 108 mm)	10.25" x 3" (260 mm x 76 mm)
VPM40-J, SVPM40-J, VPM40-JS, SVPM40-JS	13.25" - 17.25" (337 mm - 438 mm)	2.69" - 4.5" (68 mm - 114 mm)	17.25" x 4.25" (438 mm - 108 mm)	13.25" x 3" (337 mm - 76 mm)
VPM45-J, SVPM45-J, VPM45-JS, SVPM45-JS	13.25" - 17.25" (337 mm - 438 mm)	4.25" - 5.75" (108 mm - 146 mm)	17.25" x 5.5" (438 mm x 140 mm)	13.25" x 4.5" (337 mm x 114 mm)



MODEL #	WEIGHT	SHIPPING WEIGHT
VPM 25-J, SVPM 25-J VPM 25-JS, SVPM 25-JS	4.2 lb (1.9 kg)	4.7 lb (2.1 kg)
VPM 35-J, SVPM 35-J VPM 35-JS, SVPM 35-JS	5.0 lb (2.3 kg)	6.0 lb (2.7 kg)
VPM 40-J, SVPM 40-J VPM 40-JS, SVPM 40-JS	5.0 lb (2.3 kg)	6.0 lb (2.7 kg)
VPM 45-J, SVPM 45-J VPM 45-JS, SVPM 45-JS	6.0 lb (2.7 kg)	7.0 lb (3.2 kg)



ATTACHMENT TO OLDER
STYLE JUMBO MOUNTS.
(SLOTS IN CENTER OF
SUPPORT TRAY)



ATTACHMENT TO NEW
STYLE JUMBO MOUNTS
(THREADED HOLES IN
CENTER OF SUPPORT TRAY).

The **VCR/DVD/DVR Mount** attaches below a Peerless® TV mount and is designed to surround and clamp the VCR/DVD/DVR. All mounting hardware is provided for attachment to the bottom of a Peerless Jumbo® Mount (2640 model or larger) (left).

Features

- All-steel construction
- Scratch resistant black or silver fused epoxy finish
- Four sizes available
- Screws for attachment to the corresponding TV mount styles included

**TECHNICAL DATA SHEET
VCR/DVD/DVR MOUNT FOR JUMBO® MOUNTS**

Peerless Industries, Inc.

3215 W. North Ave.
Melrose Park, IL 60160

phone: (708) 865-8870
fax: (708) 865-2941

ISSUED: 5-30-95 SHEET NO: 081-9503-3 07-28-04

Architects Specifications:

The VCR/DVD/DVR Mount shall be a Peerless model _____. It shall be constructed of heavy gauge cold rolled steel. It shall feature adjustable height and width in a design that surrounds and clamps the VCR/DVD/DVR. The point of attachment shall be to the bottom of a Peerless Jumbo Mount (2640 model or larger). The finish shall be scratch resistant black or silver fused epoxy. Assembly and installation shall be done according to instructions provided by the manufacturer.