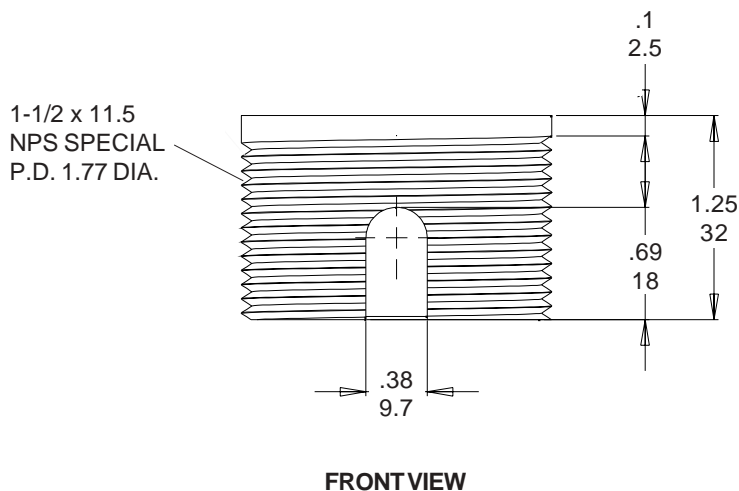
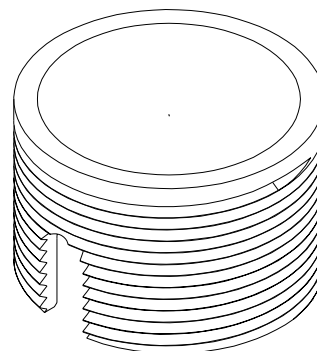
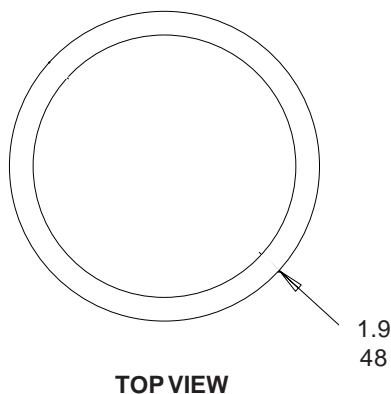


TECHNICAL DATA SHEET - LCD Flush Mount Tube



MODEL: EXT 002

Dimensions:
Weight: .17(.08)
Shipping weight: .27(.12)
Maximum Load Capacity: N/A
Shipping Carton dimensions: L= 5.75(146) W= 3.25(83) H= 2.375(60)
All dimensims = inch / mm.



ARCHITECTSSPECIFICATIONS:

The flush mount shall be a Peerless model **EXT 002** and shall be mounted where indicated on the plans. It shall be constructed of steel and unfinished (Plain). Installation and assembly shall be done in accordance with the instructions provided by the manufacturer.

Peerless Industries, Inc.
 3215 W. North Ave. Melrose Park, IL 60160
 708-865-8870 800-865-2112 Fax 708-865-2941
www.peerlessindustries.com

ISSUED: 09/10/01 SHEET NO: 055-9550-1 12-8-03

©2003 Peerless Industries, Inc. All rights reserved.
 Peerless is a registered trademark of Peerless Industries, Inc.
 All other brand and product names are trademarks or registered trademarks of their respective owners.