

Supplemental Instructions - Wall Plate and Ceiling Plate Attachment

IMPORTANT! Read entire instruction sheet before you start installation and assembly.

WARNING! Installer must verify that the wall or ceiling will safely support the combined weight of all attached equipment and hardware.

Peerless Industries, Inc.
1980 Hawthorne Avenue
Melrose Park, IL 60160

For customer service call
1-800-729-0307 or 708-865-8870.

Note: For each step see corresponding illustration.

IMPORTANT: IT IS THE RESPONSIBILITY OF THE INSTALLER TO VERIFY THAT THE MOUNTING SURFACE WILL SAFELY SUPPORT THE COMBINED LOAD OF ALL ATTACHED HARDWARE AND COMPONENTS.

- 1** #14 x 2.5" (6mm x 65mm) wood screws for attachment to wood studs, wood beams, or wood ceiling joists are provided with most Peerless products in quantities of 2, 3, or 4, depending on the product and application.
- 2** For attachment to solid concrete, brick, or concrete block order one of the concrete anchor accessory kits pictured (some products may already include concrete anchors). Accessory kits contain RAWL™ #5005 OR HILTI™ HL814 CONCRETE EXPANSION ANCHORS. [.312 x 1.625 (8mm x 41mm)].
 - 3** For ceiling plate attachment to a concrete ceiling drill 5/16" (8mm) dia. holes to a minimum depth of 1 3/4" (45mm). Attach using concrete anchors.
 - 3-1** Hammer in concrete anchors, then tighten to 80 in. lbs. (9 N.M.) torque using a 10mm wrench.
 - 3-2** NOT FOR ATTACHMENT TO CONCRETE CEILINGS COVERED WITH PLASTER, DRYWALL, OR OTHER FINISHING MATERIAL!
 - 4** For ceiling plate attachment to a wood joist finished ceiling, exposed wood joists, or a wood beam ceiling locate joist centers using a stud finder. Drill 5/32" (4mm) dia. holes 2.5" (65mm) deep **into joist centers**. Attach ceiling plate using #14 x 2.5" (6mm x 65mm) wood screws.

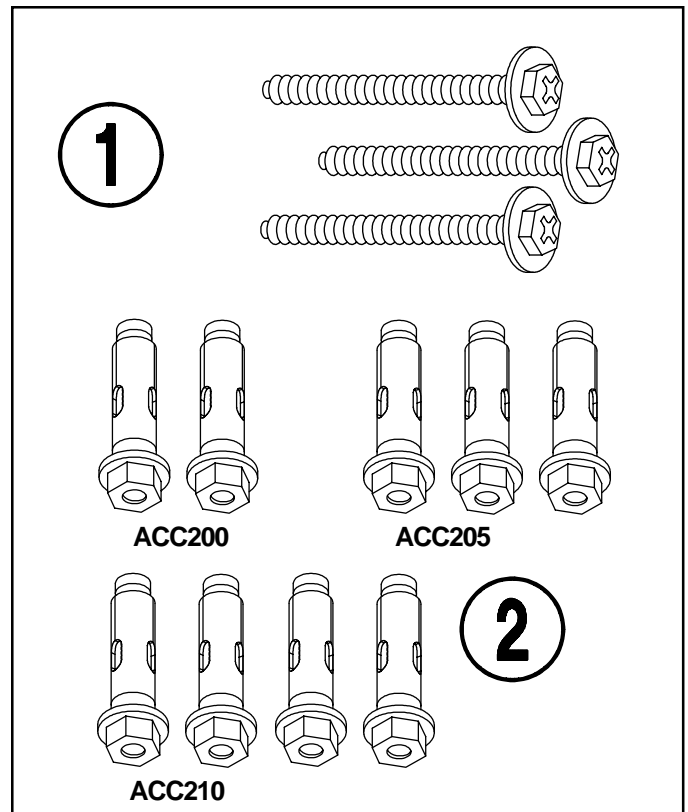
CAUTION: Tighten wood screws so ceiling plate is firmly attached. But **DO NOT TIGHTEN WITH EXCESSIVE FORCE!** Overtightening can cause stress damage to wood screws greatly reducing their holding power! *Tighten to 80 in. lbs. (9 N.M.) maximum torque.*
 - 5** For wall plate attachment to a solid concrete, brick, or concrete block wall drill 5/16" (8mm) dia. holes to a minimum depth of 1 3/4" (45mm). Attach with concrete expansion anchors. **If attaching to brick or concrete block DO NOT DRILL HOLES INTO MORTAR JOINTS!**

5-1 Hammer in concrete expansion anchors, then tighten to 80 in. lbs. (9 N.M.) torque using a 10mm wrench.

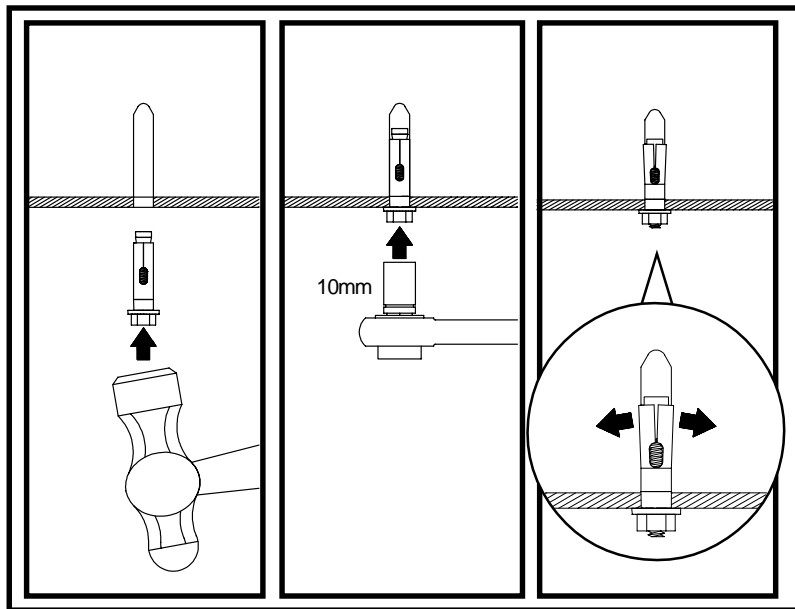
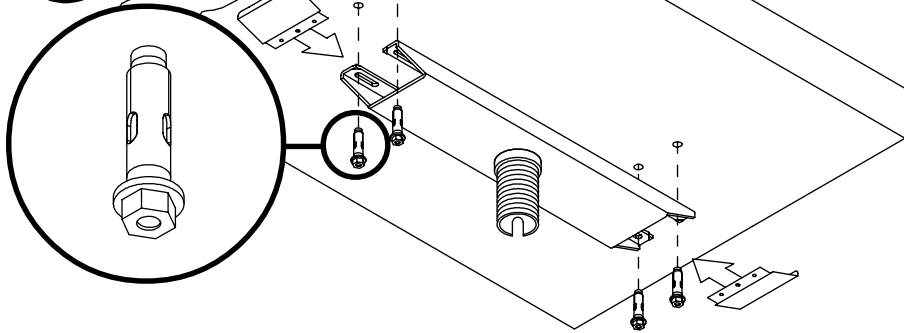
5-2 NOT FOR ATTACHMENT TO CONCRETE WALLS COVERED WITH PLASTER, DRYWALL, OR OTHER FINISHING MATERIAL!

- 6** For wall plate attachment to a wood stud wall or beam locate stud center using a stud finder. Drill 5/32" (4mm) dia. holes 2.5" (65mm) deep **into stud center**. Attach wall plate using #14 x 2.5" (6mm x 65mm) wood screws.

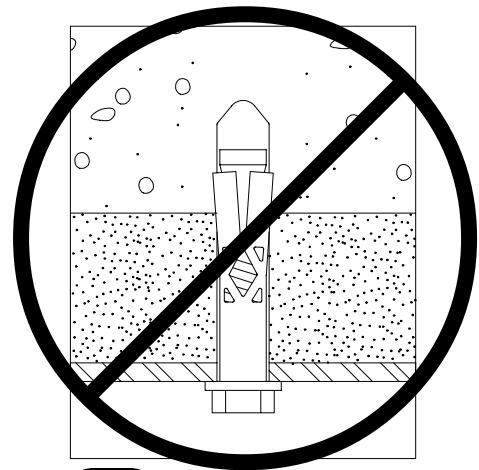
CAUTION: Tighten wood screws so wall plate is firmly attached. But **DO NOT TIGHTEN WITH EXCESSIVE FORCE!** Overtightening can cause stress damage to wood screws greatly reducing their holding power! *Tighten to 80 in. lbs. (9 N.M.) maximum torque.*



3

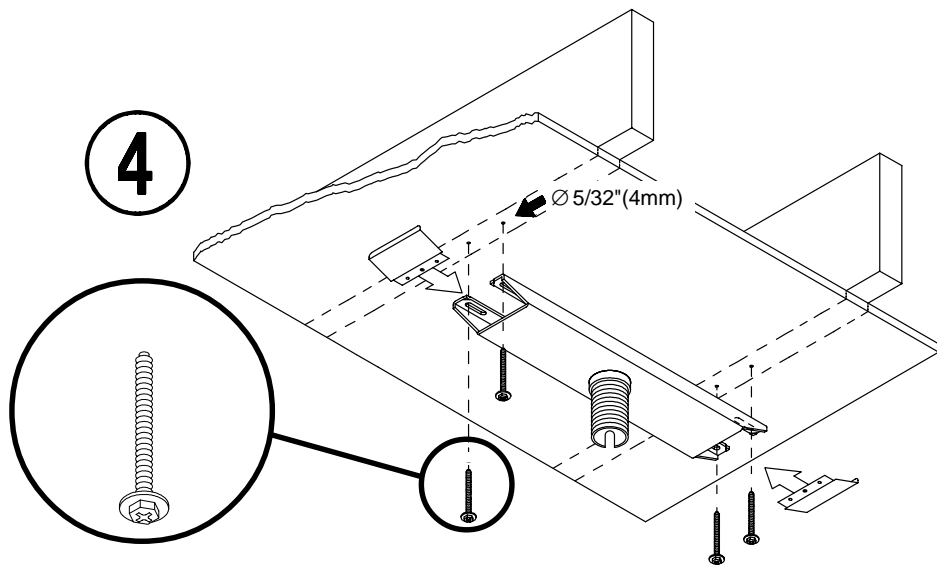


3-1

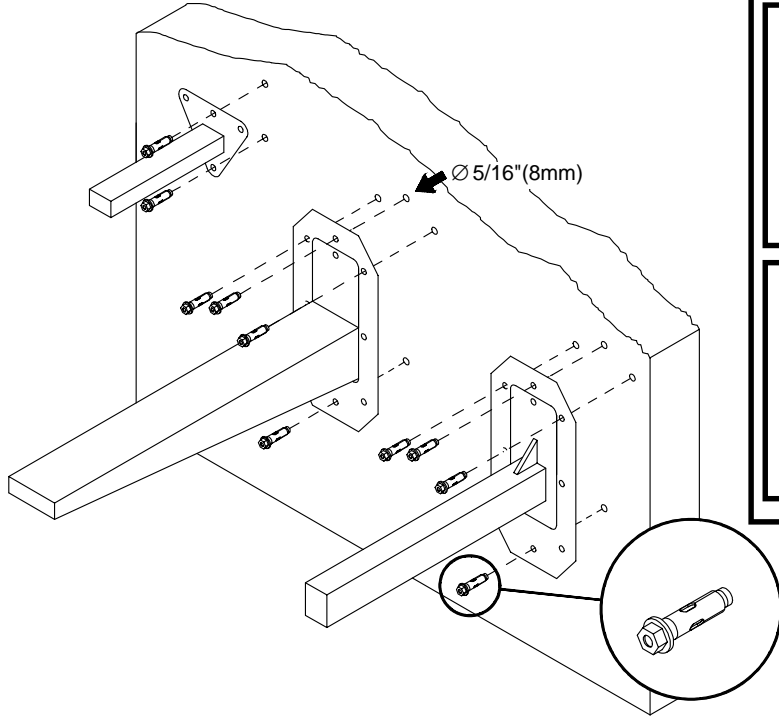


3-2

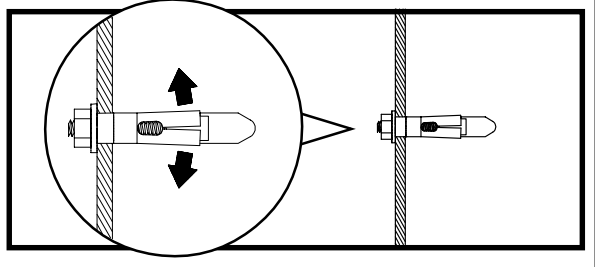
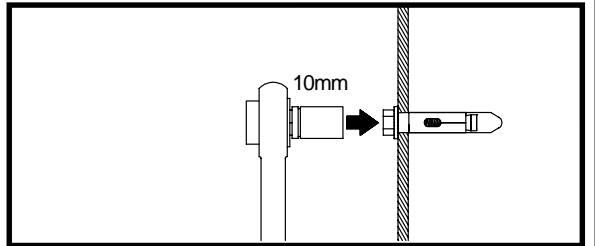
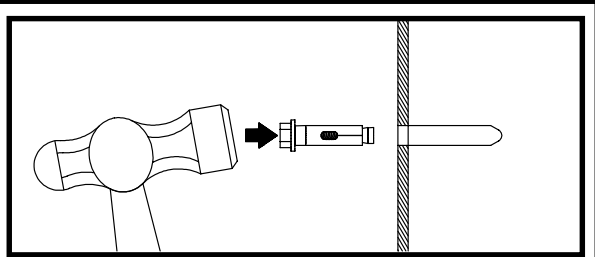
4



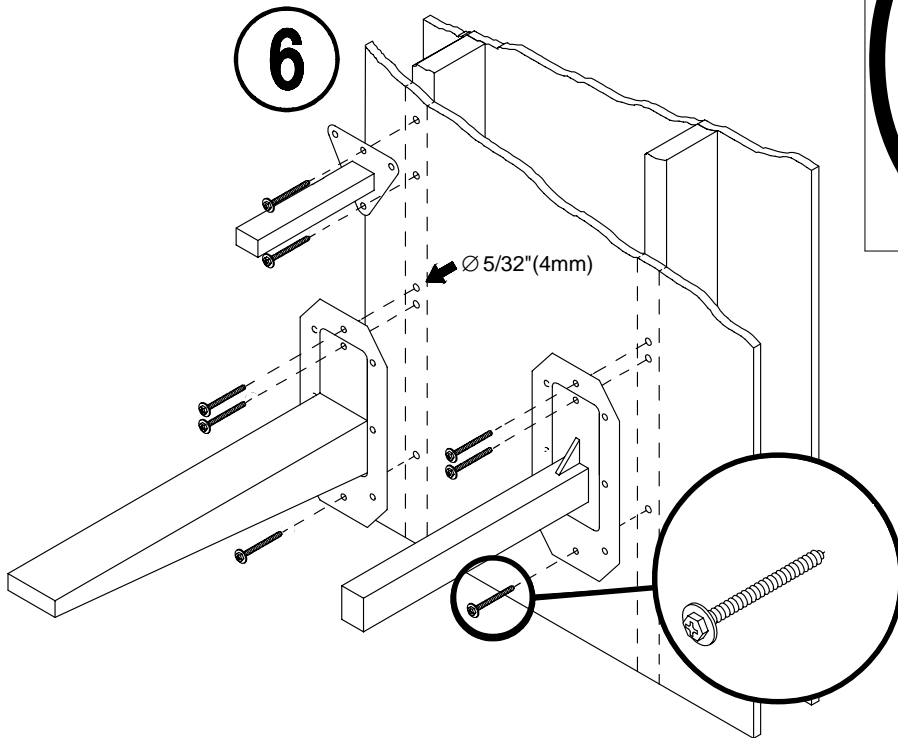
5



5-1



6



5-2

