

TECHNICAL DATA SHEET - Flat Panel Pull-out Swivel Wall Mount



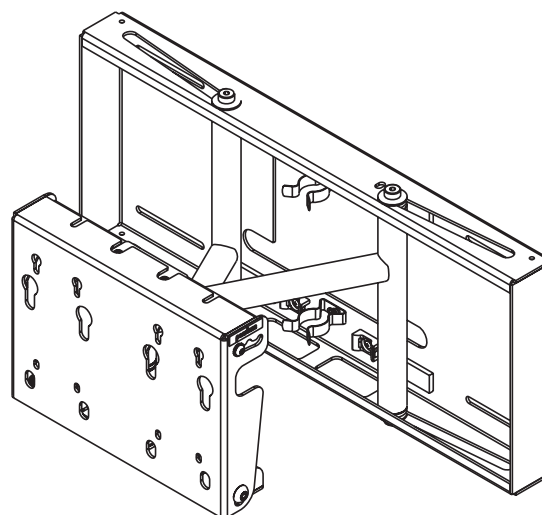
MODELS: SP 850, SP 850P, SP 850-S, SP 850P-S



The Pull-out swivel mount is designed to work with virtually any 26" - 50" Plasma flat panel display. Compatible with VESA® 100 and 200 hole patterns through the integrated adapter plate, the 2" ultra-thin design keeps the screen close to the wall and enables the profile of the mount to look like a component of the screen. With a boxed-in wall plate that eliminates the view of the mount hardware from a side view, the pull-out swivel mount is the perfect installation product for in room hospitality, public and digital signage, POS stations and office applications. Featuring up to +/- 45° of swivel depending on the screen size and up to 10" of pull out, the pull-out swivel mount provides a user with many viewing angles. Additional compatibility with Peerless' PLP adapter plates makes the mount a versatile product. Installation and screen mounting are enhanced with the LockKey™ installation brace. Designed to mount on 16" wood studs, the wall plate accommodates up to 4" of horizontal shift.

Features:

- For screen sizes 26" to 50" (150 lbs max)
- Easy pull-out swivel provides quick maintenance access
- Built in adapter plate supports VESA 100 and 200 compatibility
- Works with Peerless dedicated and universal PLP adapter plates
- Ideal for wall mount applications and attachment to false backslashes
- 2" deep when closed, swivel arms extend to 10.5"
- When extended, screen can swivel up to 45° left and right depending on screen size
- Screen can tilt 5° or 10° forward
- Roll can be adjusted 1° clockwise or counterclockwise
- Mounts on 16" studs
- Clean profile design hides wiring and mount within enclosed wall plate
- Includes security screws for attachment at the screen (SP 850 and SP 850-S only)
- Includes security lock out screw to eliminate pull out ability
- LockKey™ installation brace included



Accessories:

- 200 mm x 200 mm Adapter Plate (ACC 450)
- Works with all PLP style adapter plates

Dimensions:

Weight:

20.1 lb (9.1 kg)

Shipping weight:

22.4 lb (10.2 kg)

Maximum Load Capacity:

150 lb (68 kg)

Shipping Carton dimensions:

L = 14.5 in (368 mm)

W = 25.25 in (641 mm)

H = 6 in (152 mm)

ARCHITECTS SPECIFICATIONS

The Flat Panel Pull-out Swivel Wall Mount shall be a Peerless model _____ and shall be located where indicated on the plans. It shall be constructed of heavy gauge steel. It shall feature up to 45° of swivel left and right depending on screen size. It shall feature 5° or 10° of forward tilt. It shall feature +/- 1° of roll. The finish shall be scratch resistant black fused epoxy. Assembly and installation shall be done according to instructions provided by the manufacturer.

Peerless Industries, Inc.

3215 W. North Ave. Melrose Park, IL 60160
708-865-8870 800-865-2112 Fax 708-865-2941

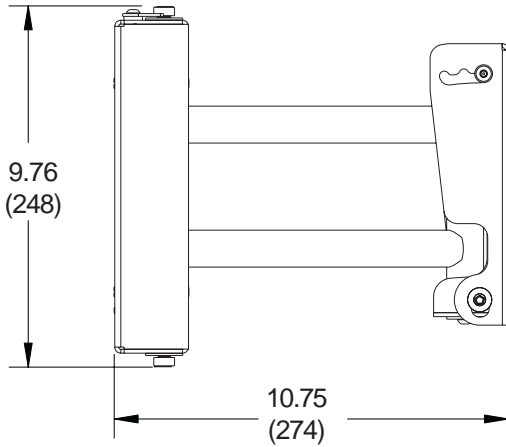
www.peerlessmounts.com

ISSUED: 10-27-05 SHEET NO: 202-9505-4 03-05-07

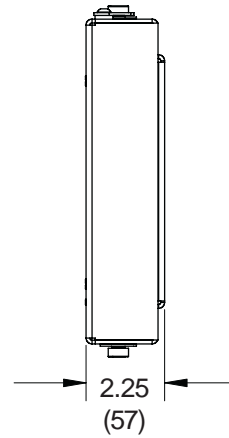
TECHNICAL DATA SHEET

MODELS: SP 850, SP 850P, SP 850-S, SP 850P-S

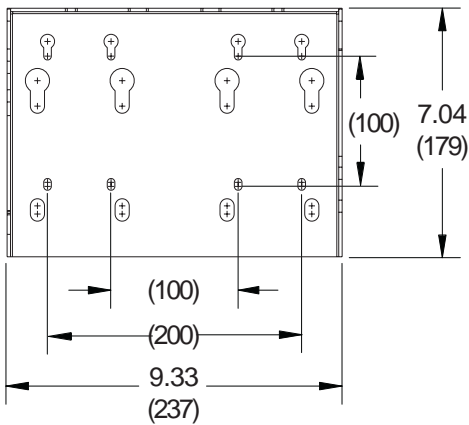
ALL DIMENSION = INCH
(MM)



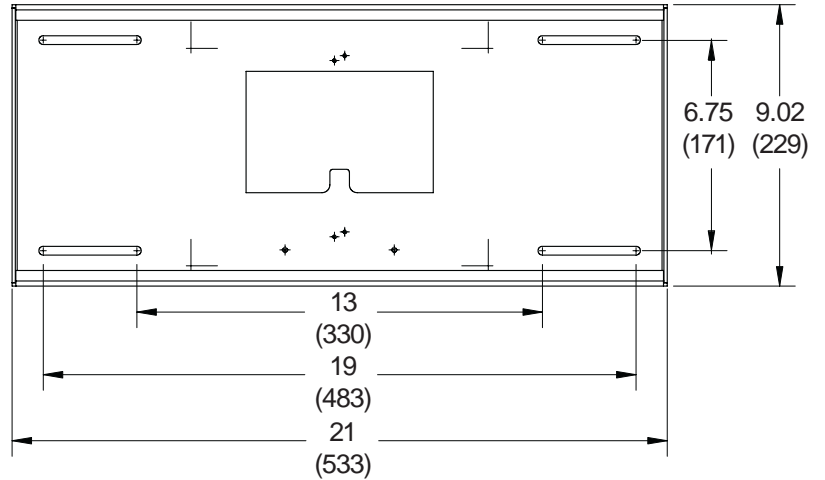
**SIDE VIEW
(extended)**



**SIDE VIEW
(collapsed)**



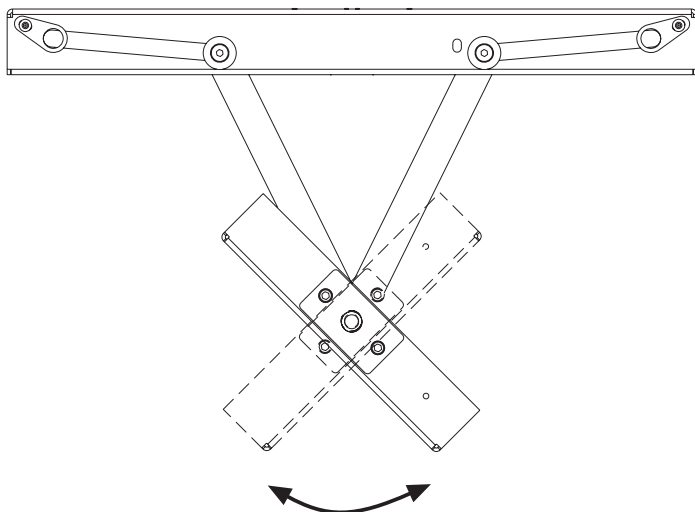
BRACKET DETAIL



WALL BRACKET DETAIL

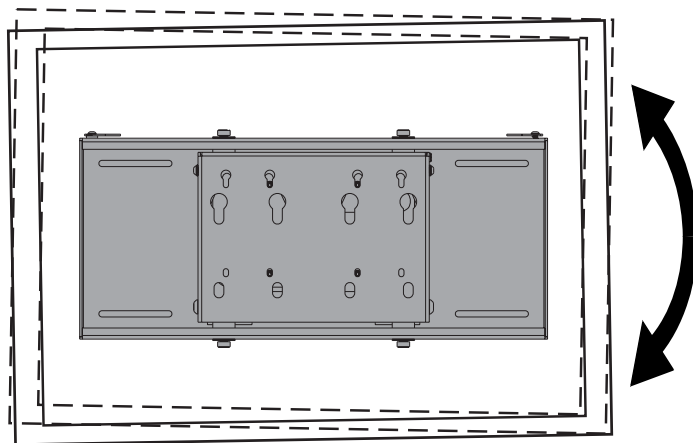
TECHNICAL DATA SHEET

MODELS: SP 850, SP 850P, SP 850-S, SP 850P-S



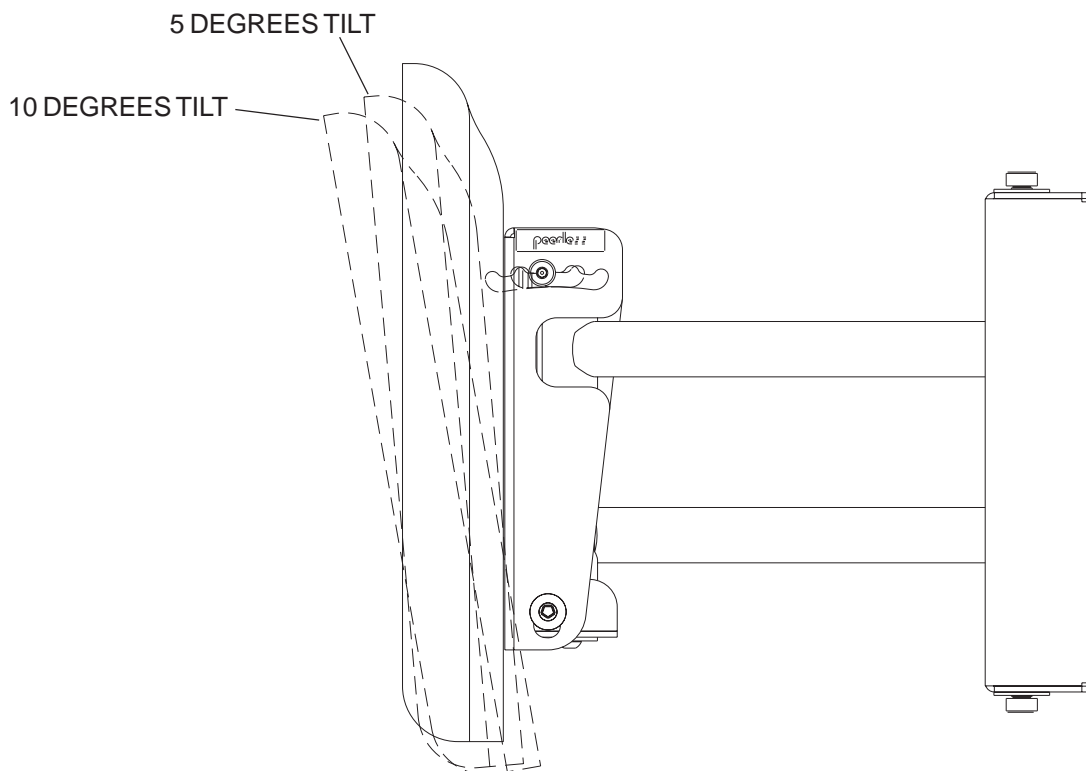
+/- 45 DEGREES SWIVEL

TOP VIEW



+/- 1 DEGREES ROLL

FRONT VIEW



5 DEGREES TILT

10 DEGREES TILT

SIDE VIEW