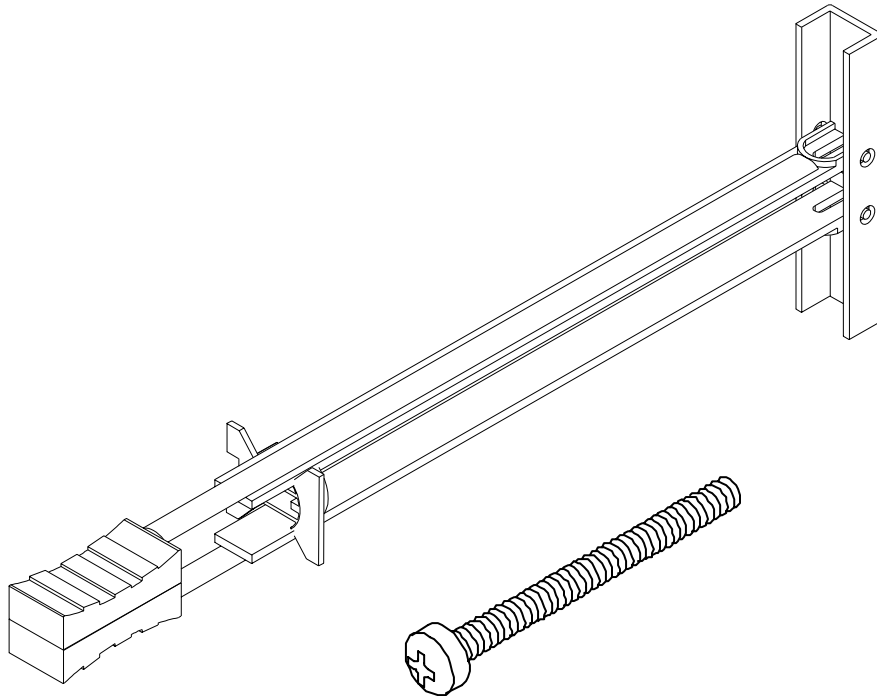


Metal Stud Fastener Kits

Can be used to attach to a single stud only when weight of mount and equipment does not exceed 35 lb

See specific models for quantity needed and compatibility.

Can be used to attach loads greater than 35 lb only where specified for Peerless models that contain a wall plate which spans two or more studs.



Model	Shipping Weight
ACC 215 contains two togglers	.19 lb / .09 kg
ACC 415 contains four togglers	.32 lb / .15 kg

ARCHITECTS SPECIFICATIONS

The metal stud fastener kit shall be a Peerless model _____ and shall be utilized where necessary for mount installation. Assembly and installation shall be done according to instructions provided by the manufacturer.

peerless[®]
Solid Solutions - Solid Support™

Peerless Industries, Inc. 3215 W. North Ave. Melrose Park, IL 60160
708-865-8870 800-865-2112 Fax 708-865-2941 www.peerlessindustries.com

TECHNICAL DATA SHEET

Metal Stud Fastener Kit

Issued: 7-30-99 Sheet No. 120-9503-2 12-18-03 page 1